

## LT Series 4 Terminals Snap-in Type 85°C

### Features

- ◆ Highly capacitors values and compact size.
- ◆ Two vent construction.
- ◆ 4 snap-in terminals for printed circuit board mounting.
- ◆ RoHS Compliant



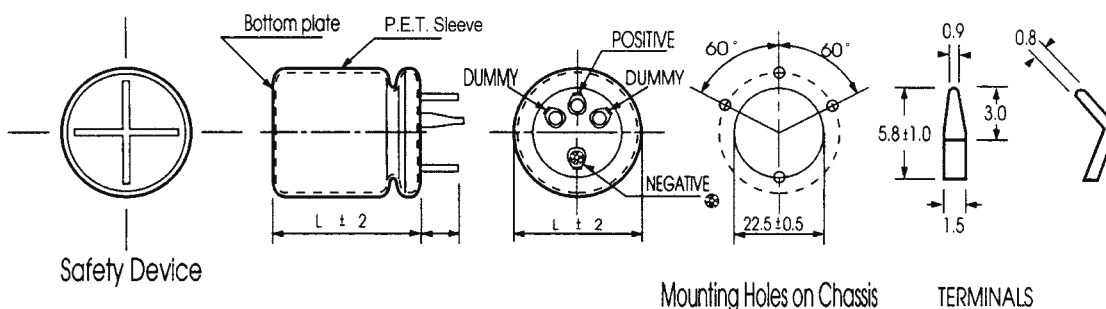
### Specifications

Item	Performance Characteristics									
Operating Temperature Range	-40 to 85 °C	-25 ~ +85°C								
Rated Voltage Range	16 ~ 100 VDC	160 ~ 450 VDC								
Capacitance Range	4700 ~ 82000 μ F	330 ~ 3300 μ F								
Capacitance Tolerance	± 20% (120Hz, +20°C)									
Leakage Current (+20°C, max.)	I ≤ 0.02 CV (μ A) After 5 minutes with rated working voltage applied.									
Dissipation Factor (tan δ , at 20°C , 120Hz)	Less than the value under table (%)									
	φ / VDC	16	25	35	50	63	80	100	160 ~ 250	350 ~ 450
	φ 35 D.F. (%) max.	45	40	35	30	25	25	20	15	20
	φ 40 D.F. (%) max.	50	45	40	35	30	25	20	15	20
Low Temperature Characteristics (at 120Hz)	Impedance ratio max.									
	Working voltage (VDC)	16	25	35 ~ 100	160 ~ 250	400 ~ 450				
	Z-25°C / Z+20°C	5	3	3	7	15				
Endurance	Test conditions									
	Duration time	:2000 Hrs								
	Ambient temperature	:+85°C								
	Applied voltage	:Rated DC working voltage								
	After test requirement at +20°C									
	Capacitance change	:≤ ±20% of the initial measured value								
	Dissipation factor	:≤ 175% of the initial specified value								
	Leakage current	:≤ The initial specified value								
Shelf Life	Test conditions									
	Duration time	:1000 Hrs								
	Ambient temperature	:+85°C								
	Applied voltage	:None								
	After test requirement at +20°C : Same limits as Endurance.									
	Pre-treatment for measurements shall be conducted after application of DC working voltage for 30 minutes.									

### Multiplier for Ripple Current vs. Frequency

CAP (μ F) \ Frequency(Hz)	50(60)	120	400	1K	10K	50K-100K
10 < CAP ≤ 100	0.8	1	1.23	1.36	1.48	1.53
100 < CAP ≤ 1000	0.8	1	1.16	1.25	1.35	1.38
1000 < CAP	0.8	1	1.11	1.17	1.25	1.28

### Diagram of Dimensions:(unit:mm)



## Case Size

WV φ D		16				25			
		35		40		35		40	
		Size	Ripple	Size	Ripple	Size	Ripple	Size	Ripple
Cap( μ F)									
33000					35x52	5.76			
39000					35x63	6.24	40x52	6.24	
47000	35x32	5.88			35x83	7.08	40x63	7.08	
56000	35x63	6.48	40x52	6.48			40x83	7.40	
68000	35x83	7.20	40x63	7.20			40x83	8.55	
82000			40x83	8.16					

WV φ D		35				50			
		35		40		35		40	
		Size	Ripple	Size	Ripple	Size	Ripple	Size	Ripple
Cap( μ F)									
15000					35x52	4.53			
18000					35x63	5.07	40x52	5.07	
22000	35x52	4.98			35x83	5.74	40x63	5.74	
27000	35x63	5.82					40x63	6.16	
33000	35x83	6.00	40x63	6.38					
39000	35x83	6.91	40x63	7.00					
47000			40x83	7.52					

WV φ D		63				80			
		35		40		35		40	
		Size	Ripple	Size	Ripple	Size	Ripple	Size	Ripple
Cap( μ F)									
4700					35x52	3.20			
6800					35x52	3.62			
8200					35x63	3.92	40x52	3.92	
10000					35x83	4.42	40x63	4.42	
12000	35x63	4.65	40x52	4.80			40x83	5.10	
15000	35x83	4.90	40x63	5.00			40x83	5.58	
18000	35x83	5.86							
22000			40x83	6.00					

WV φ D		100				160			
		35		40		35		40	
		Size	Ripple	Size	Ripple	Size	Ripple	Size	Ripple
Cap( μ F)									
1800					35x52	2.46			
2200					35x63	2.77	40x52	2.77	
2700					35x83	3.00	40x63	3.00	
3300							40x83	3.26	
5600	35x63	3.64	40x52	3.64					
6800	35x83	3.94	40x63	3.94					
8200			40x83	4.47					

WV φ D		220				250			
		35		40		35		40	
		Size	Ripple	Size	Ripple	Size	Ripple	Size	Ripple
Cap( μ F)									
390					35x52	1.18			
1000	35x52	2.02			35x63	2.10			
1200	35x52	2.24			35x63	2.24	40x52	2.24	
1500	35x63	2.44			35x83	2.37	40x63	2.37	
1800	35x83	2.65	40x63	2.65			40x83	2.79	
2700			40x83	3.03					

WV φ D		400				450			
		35		40		35		40	
		Size	Ripple	Size	Ripple	Size	Ripple	Size	Ripple
Cap( μ F)									
330					35x52	1.16			
390					35x63	1.22			
470	35x63	1.36			35x83	1.38	40x52	1.38	
560	35x83	1.44	40x52	1.44	35x83	1.50	40x63	1.50	
680	35x83	1.59	40x63	1.59			40x83	1.64	
820			40x83	1.78					

Ripple Current ( A, rms ) at 85°C 120Hz