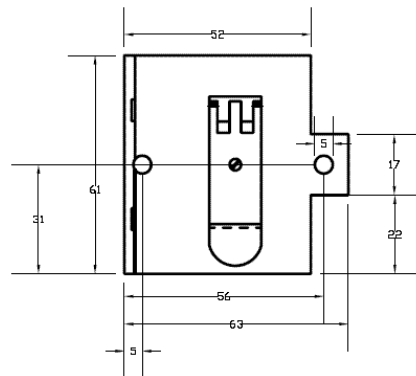
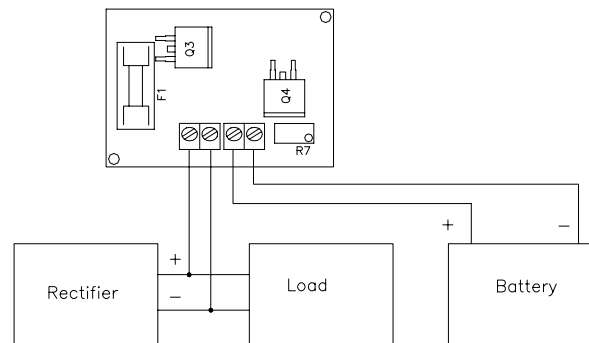
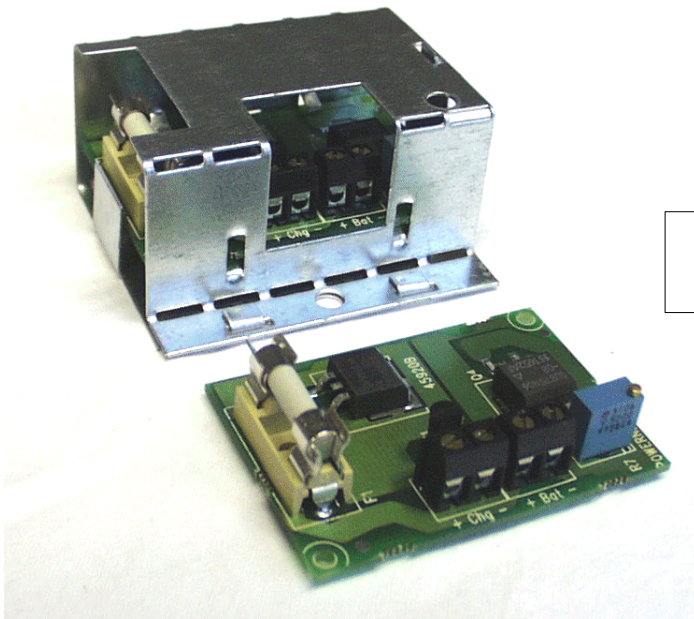


# SPS-SERIES

## Low Voltage Disconnection Unit for Batteries 12V, 24V and 48V

SPS-series has been designed for battery back-up power supply systems to protect the batteries against hazardous deep discharges. The protector disconnects the load from the batteries, when voltage goes down to critical limit for the battery. The LVD will extend lifetime of the battery and eliminates the unnecessary service and early change of the battery.



Bottom dimensions

Type	Availability	Battery Voltage	Current Rating	Load Disconnection	Load Re-connection (voltage in rectifier pins)	Disconnected Line	Dimensions (wall mounting brackets included)
SPS4590	Normal	12 V	10 A	10...11 V	Udis + 0,7 V	+ and - line	61 x 61 x 30 mm
SPS4700	On Request	24 V	10 A	20...22 V	Udis + 1,4 V	+ and - line	61 x 61 x 30 mm
SPS4710	On Request	48 V	10 A	40...44 V	Udis + 2,8 V	+ and - line	61 x 61 x 30 mm
SPS7512	On Request	12 V	20 A	10...11 V	Udis + 0,8 V	+ line	61 x 61 x 30 mm
SPS7514	Normal	24 V	20 A	20...22 V	Udis + 1,2 V	+ line	61 x 61 x 30 mm
SPS7510	Normal	48 V	20 A	40...44 V	Udis + 1,8 V	+ line	61 x 61 x 30 mm

**Installation** DIN-rail or wall mounting  
**Enclosure** IP10 metal enclosure (optional open card)  
**Operating temperature** -40...+55C°  
**Connectors** 10A models 2.5 mm<sup>2</sup> screw terminals, 20A models 4 mm<sup>2</sup> screw terminals  
**Protection** 10A models Fuse 10A, 20A models fuse 20A

**Sales & R&D** Martinkyläntie 43, FI-01720 VANTAA, Tel. +358 10 2890 700 Fax +358 10 2890 793  
**Production and Service** Teollisuuskatu 3, FI-44150 ÄÄNEKOSKI, Tel. +358 10 2890 700 Fax +358 10 2890 790  
**E-mail** marketing@powernet.fi, service@powernet.fi **Internet** www.powernet.fi