

Motor-Kondensatoren in Al-Rundbechern 450 Volt

Serie MLR 25 M

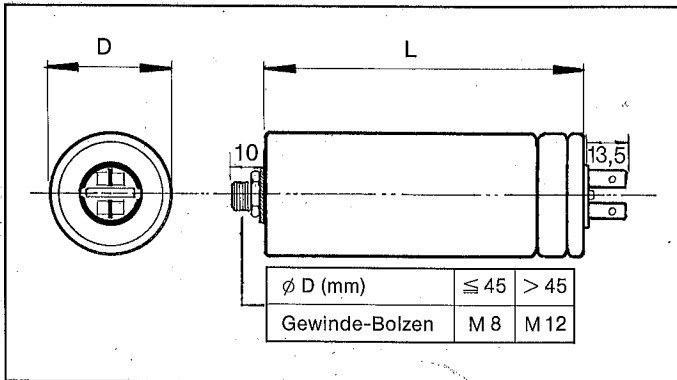
Nennspannung: 400 V DB HPFMS 30.000 h
 450 V DB HPFNT 10.000 h
 500 V DB HPFPU 3.000 h

Kapazitäts-Toleranz $\pm 10\%$ oder $\pm 5\%$
 Frequenz 50-60 Hz
 Temperaturbereich $-25 + 85^\circ\text{C}$

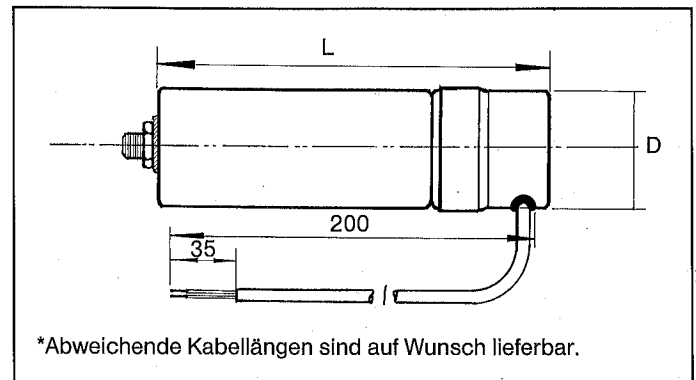


CEI 33-3

Ausführung A mit Flachsteckern 6,3 x 0,8 mm
 Entspricht IP 00



Ausführung C mit Al-Schutzkappe und Kunststoffschlauchleitung 2 x 0,75 mm²
 Entspricht IP 54.



| Type | Kapazität μF | Abmessungen (mm) | |
|----------------------------|----------------------------|------------------|-----|
| | | D | L |
| MLR 25 M 50 10 25 63/I-A | 1 | 25 | 63 |
| MLR 25 M 50 12,525 63/I-A | 1,25 | 25 | 63 |
| MLR 25 M 50 15 25 63/I-A | 1,5 | 25 | 63 |
| MLR 25 M 50 20 30 63/I-A | 2 | 30 | 63 |
| MLR 25 M 50 25 30 63/I-A | 2,5 | 30 | 63 |
| MLR 25 M 50 30 30 63/I-A | 3 | 30 | 63 |
| MLR 25 M 50 40 30 83/I-A | 4 | 30 | 83 |
| MLR 25 M 50 50 30 83/I-A | 5 | 30 | 83 |
| MLR 25 M 50 60 35 83/I-A | 6 | 35 | 83 |
| MLR 25 M 50 80 35 83/I-A | 8 | 35 | 83 |
| MLR 25 M 50 100 35 103/I-A | 10 | 35 | 103 |
| MLR 25 M 50 120 40 103/I-A | 12 | 40 | 103 |
| MLR 25 M 50 140 40 103/I-A | 14 | 40 | 103 |
| MLR 25 M 50 150 40 103/I-A | 15 | 40 | 103 |
| MLR 25 M 50 160 40 103/I-A | 16 | 40 | 103 |
| MLR 25 M 50 180 45 128/I-A | 18 | 45 | 128 |
| MLR 25 M 50 200 45 128/I-A | 20 | 45 | 128 |
| MLR 25 M 50 250 45 128/I-A | 25 | 45 | 128 |
| MLR 25 M 50 300 45 128/I-A | 30 | 45 | 128 |
| MLR 25 M 50 350 55 128/I-A | 35 | 55 | 128 |
| MLR 25 M 50 400 55 128/I-A | 40 | 55 | 128 |
| MLR 25 M 50 500 60 138/I-A | 50 | 60 | 138 |
| MLR 25 M 50 600 60 138/I-A | 60 | 60 | 138 |

| Type | Kapazität μF | Abmessungen (mm) | |
|----------------------------|----------------------------|------------------|-----|
| | | D | L |
| MLR 25 M 50 10 25 63/I-C | 1 | 25 | 86 |
| MLR 25 M 50 12,525 63/I-C | 1,25 | 25 | 86 |
| MLR 25 M 50 15 25 63/I-C | 1,5 | 25 | 86 |
| MLR 25 M 50 20 30 63/I-C | 2 | 30 | 86 |
| MLR 25 M 50 25 30 63/I-C | 2,5 | 30 | 86 |
| MLR 25 M 50 30 30 63/I-C | 3 | 30 | 86 |
| MLR 25 M 50 40 30 83/I-C | 4 | 30 | 106 |
| MLR 25 M 50 50 30 83/I-C | 5 | 30 | 106 |
| MLR 25 M 50 60 35 83/I-C | 6 | 35 | 106 |
| MLR 25 M 50 80 35 83/I-C | 8 | 35 | 106 |
| MLR 25 M 50 100 35 103/I-C | 10 | 35 | 126 |
| MLR 25 M 50 120 40 103/I-C | 12 | 40 | 126 |
| MLR 25 M 50 140 40 103/I-A | 14 | 40 | 126 |
| MLR 25 M 50 150 40 103/I-A | 15 | 40 | 126 |
| MLR 25 M 50 160 40 103/I-A | 16 | 40 | 126 |
| MLR 25 M 50 180 45 128/I-C | 18 | 45 | 151 |
| MLR 25 M 50 200 45 128/I-C | 20 | 45 | 151 |
| MLR 25 M 50 250 45 128/I-C | 25 | 45 | 151 |
| MLR 25 M 50 300 45 128/I-C | 30 | 45 | 151 |
| MLR 25 M 50 350 55 128/I-C | 35 | 55 | 151 |
| MLR 25 M 50 400 55 128/I-C | 40 | 55 | 151 |
| MLR 25 M 50 500 60 138/I-C | 50 | 60 | 161 |
| MLR 25 M 50 600 60 138/I-C | 60 | 60 | 161 |