



IP 67

RoHS

REACH

PFC-5562-2
Stainless Steel Float

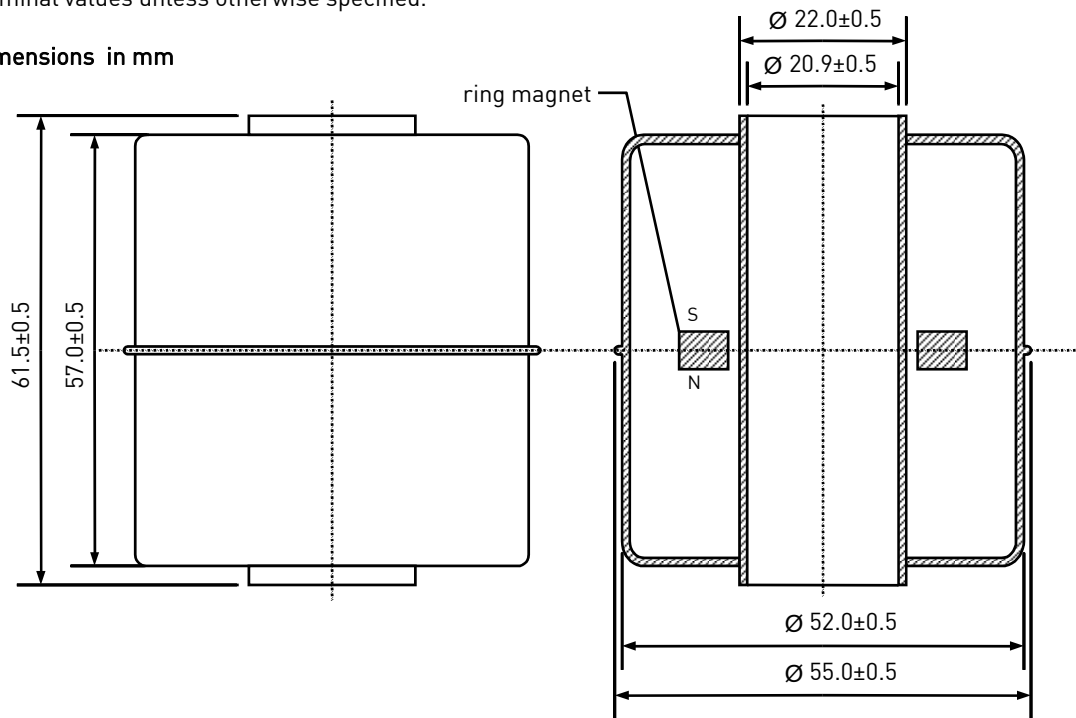
Data

Float housing	Stainless Steel SUS316L, mechanically polished
Magnet	Ferrite
Magnetical Orientation	axially

Remanence Br	mT	225
Coercivity HcB	kA/m	151
Coercitivity HcJ	kA/m	271
Energy density BHmax.	mT	0.105
Operating Temperature	°C	-10 to 150

Nominal values unless otherwise specified.

Dimensions in mm



Mechanical Characteristics

@ 25°C

Density of float typ. *	g/cm ³	0.73
Recommended minimum gravity of medium	g/cm ³	Density of float + 20%
Pressure max.	MPa	2.0

* In delivery condition

Ordering Information

Packing Unit	500 pcs
Weight per piece	73.7 g±0.5g