

HU SERIES ▀ ULTRA LONG LIFE 105°C TYPE

KEY FEATURES



- ALUMINUM ELECTROLYTIC CAPACITOR • Snap-In type
- Useful life: 105°C • 5 000 hours up to 8 000 hours
- Wide capacitance range
- Small dimensions
- Stable operating under steady state environment



SPECIFICATIONS

Items		Performance Characteristics										
Operating Temperature Range		-40 ~ +105°C					-25 ~ +105°C					
Rated Voltage Range	V _R	10 ~ 350V DC					385 ~ 500V DC					
Surge Voltage	V _S	(V _R ≤ 315V): V _S = 1.15·V _R					(V _R > 315V): V _S = 1.10·V _R					
Capacitance Range	C _R	56 ~ 82000µF					33 ~ 1200µF					
Cap. Tolerance	ΔC	±20% (120Hz • 20°C)										
Leakage Current (20°C • V _R applied)	I _{LEAK}	$\leq 3 \cdot \sqrt{C_R \cdot V_R}$ ▪ After 5 minutes [I _{LEAK} (µA) ; C _R (µF) ; V _R (V)]										
Dissipation Factor % (20°C • 120Hz)	tanδ	µF / V DC	10	16	25	35	50	63	80	100	160 ~ 420	450 ~ 500
		≤ 8200	35	35	30	25	20	20	15	15	15	20
		10000 ~ 22000	40	40	35	30	30	25	20	-	-	-
		≥ 27000	50	40	35	35	30	25	-	-	-	-
Low Temperature Characteristics at 120Hz	Z ratio max.	V _R (V DC)	10 ~ 16	25	35	50 ~ 100	160 ~ 250	315 ~ 350	400 ~ 500			
		Z-25°C/Z+20°C	4	3	3	3	4	8	8			
		Z-40°C/Z+20°C	15	10	8	6	8	12	-			
Lifetime Test			V _R ≤ 100V					V _R > 100V				
Useful Life 105°C (V _R & I _R applied)		Test	5 000 hours					8 000 hours				
		ΔC/C _R	≤ ±30% of initial measured value					≤ ±20% of initial measured value				
		tanδ	≤ 300% of initial specified value					≤ 200% of initial specified value				
		I _{Leak}	≤ the initial specified value					≤ the initial specified value				
Deviation Rate @ Useful Life: 10 000 FIT = 1%/1000h with 60% confidence level ▪ parts show higher drift as test criteria												
Endurance 105°C (V _R & I _R applied)		Test	3 000 hours									
		ΔC/C _R	≤ ±20% of initial measured value					≤ ±15% of initial measured value				
		tanδ	≤ 200% of initial specified value					≤ 175% of initial specified value				
		I _{Leak}	≤ the initial specified value					≤ the initial specified value				
Shelf Life 105°C (V _R = 0)		Test	1 000 hours									
		ΔC/C _R	≤ ±20% of initial measured value					≤ ±15% of initial measured value				
		tanδ	≤ 200% of initial specified value					≤ 175% of initial specified value				
		I _{Leak}	≤ the initial specified value					≤ the initial specified value				
Before measurement: Restore capacitor to 20°C, apply V _R for 30 min according JIS-C-5101-4												
Vibration Resistance Test		Max. 10g force, f _{RANGE} 10Hz ... 55Hz, amplitude 0.75mm; X/Y/Z-axis each 2h; capacitor rigidly clamped by body to surface ▪ IEC 60068-2-6										

STANDARD RATINGS

V_R (V)	C_R (μ F)	ϕ D (mm)	L (mm)	Typ. ESR +20°C - 120Hz (m Ω)	Max. ESR +20°C - 120Hz (m Ω)	I_R - Max. Ripple Current +105°C - 120Hz (mA rms)	CapXon Part Number
10	4700	22	25	76	99	860	HU472M010M250A
	6800	22	25	53	68	1310	HU682M010M250A
	8200	25	20	44	57	1600	HU822M010N200A
	10000	25	20	36	46	1810	HU103M010N200A
	12000	22	30	34	44	2110	HU123M010M300A
	15000	22	35	27	35	2310	HU153M010M350A
	18000	22	40	23	29	2400	HU183M010M400A
	22000	25	35	19	24	2600	HU223M010N350A
	27000	35	25	19	25	3110	HU273M010P250A
	33000	35	30	15	20	3420	HU333M010P300A
	39000	35	30	13	17	3700	HU393M010P300A
	47000	35	35	11	14	4210	HU473M010P350A
	56000	35	40	9	12	5100	HU563M010P400A
68000	35	50	8	10	5510	HU683M010P500A	
16	3300	22	25	110	140	1300	HU332M016M250A
	4700	22	25	76	99	1520	HU472M016M250A
	6800	22	25	53	68	1810	HU682M016M250A
	8200	22	30	44	57	2050	HU822M016M300A
	10000	22	30	36	46	2150	HU103M016M300A
	10000	25	25	36	46	2200	HU103M016N250A
	12000	22	35	34	44	2310	HU123M016M350A
	12000	25	30	34	44	2320	HU123M016N300A
	12000	30	25	34	44	2400	HU123M016O250A
	15000	22	40	27	35	2700	HU153M016M400A
	15000	25	35	27	35	2710	HU153M016N350A
	15000	30	30	27	35	2730	HU153M016O300A
	18000	22	45	23	29	2980	HU183M016M450A
	18000	25	40	23	29	3170	HU183M016N400A
	18000	30	30	23	29	3200	HU183M016O300A
	22000	25	45	19	24	3410	HU223M016N450A
	22000	30	35	19	24	3420	HU223M016O350A
	22000	35	30	19	24	3430	HU223M016P300A
	27000	25	50	15	20	3850	HU273M016N500A
	27000	30	40	15	20	3860	HU273M016O400A
	27000	35	30	15	20	3870	HU273M016P300A
	33000	30	45	12	16	4400	HU333M016O450A
	33000	35	35	12	16	4420	HU333M016P350A
	39000	30	50	10	14	4820	HU393M016O500A
	39000	35	40	10	14	4830	HU393M016P400A
	47000	35	45	9	11	5540	HU473M016P450A
	56000	35	50	7	10	5900	HU563M016P500A
68000	35	60	6	8	6600	HU683M016P600A	
82000	40	60	5	7	7660	HU823M016Q600A	

: See description at end of standard ratings

STANDARD RATINGS

V_R (V)	C_R (μF)	ϕD (mm)	L (mm)	Typ. ESR +20°C - 120Hz (m Ω)	Max. ESR +20°C - 120Hz (m Ω)	I_R - Max. Ripple Current +105°C - 120Hz (mA rms)	CapXon Part Number
25	2200	22	25	140	180	1300	HU222M025M250A
	3300	22	25	92	120	1310	HU332M025M250A
	4700	22	25	65	85	1620	HU472M025M250A
	5600	22	30	55	71	1800	HU562M025M300A
	6800	25	25	45	59	1920	HU682M025N250A
	8200	22	35	37	49	2150	HU822M025M350A
	8200	30	25	37	49	2300	HU822M025O250A
	10000	22	40	31	40	2500	HU103M025M400A
	10000	25	30	31	40	2500	HU103M025N300A
	10000	30	30	31	40	2680	HU103M025O300A
	12000	22	45	30	39	2760	HU123M025M450A
	12000	25	40	30	39	2810	HU123M025N400A
	12000	30	30	30	39	2820	HU123M025O300A
	15000	25	45	24	31	3280	HU153M025N450A
	15000	30	35	24	31	3290	HU153M025O350A
	15000	35	30	24	31	3300	HU153M025P300A
	18000	25	50	20	26	3550	HU183M025N500A
	18000	30	40	20	26	3560	HU183M025O400A
	22000	30	45	16	21	4250	HU223M025O450A
	22000	35	35	16	21	4260	HU223M025P350A
27000	35	45	13	17	4760	HU273M025P450A	
33000	35	50	11	14	5500	HU333M025P500A	
35	2200	25	25	120	150	1520	HU222M035N250A
	3300	22	25	77	100	1530	HU332M035M250A
	3900	22	30	65	85	1700	HU392M035M300A
	4700	22	35	54	71	2030	HU472M035M350A
	4700	25	25	54	71	2040	HU472M035N250A
	5600	22	35	46	59	2130	HU562M035M350A
	5600	25	30	46	59	2140	HU562M035N300A
	5600	30	25	46	59	2150	HU562M035O250A
	6800	22	40	38	49	2600	HU682M035M400A
	6800	25	35	38	49	2600	HU682M035N350A
	6800	30	25	38	49	2550	HU682M035O250A
	8200	22	50	31	40	2850	HU822M035M500A
	8200	25	40	31	40	2860	HU822M035N400A
	8200	30	30	31	40	2870	HU822M035O300A
	10000	25	45	26	33	3070	HU103M035N450A
	10000	30	35	26	33	3080	HU103M035O350A
	12000	25	50	26	33	3370	HU123M035N500A
	12000	30	40	26	33	3380	HU123M035O400A
	12000	35	30	26	33	3400	HU123M035P300A
	15000	30	45	20	27	3750	HU153M035O450A
15000	35	35	20	27	3760	HU153M035P350A	
18000	35	40	17	22	4370	HU183M035P400A	
22000	35	50	14	18	4950	HU223M035P500A	

: See description at end of standard ratings

STANDARD RATINGS

V_R (V)	C_R (μ F)	$\varnothing D$ (mm)	L (mm)	Typ. ESR +20°C - 120Hz (m Ω)	Max. ESR +20°C - 120Hz (m Ω)	I_R - Max. Ripple Current +105°C - 120Hz (mA rms)	CapXon Part Number
50	1500	25	20	140	180	1150	HU152M050N200A
	1800	22	25	120	150	1350	HU182M050M250A
	2200	22	25	92	120	1550	HU222M050M250A
	2700	22	30	76	98	1750	HU272M050M300A
	2700	25	25	76	98	1760	HU272M050N250A
	3300	22	35	62	80	1990	HU332M050M350A
	3300	25	30	62	80	2000	HU332M050N300A
	3900	22	40	52	68	2250	HU392M050M400A
	3900	30	25	52	68	2260	HU392M050O250A
	4700	22	45	43	56	2560	HU472M050M450A
	4700	25	35	43	56	2620	HU472M050N350A
	4700	30	30	43	56	2630	HU472M050O300A
	5600	22	50	36	47	2890	HU562M050M500A
	5600	25	40	36	47	2900	HU562M050N400A
	5600	30	30	36	47	2950	HU562M050O300A
	6800	25	45	30	39	3370	HU682M050N450A
	6800	30	35	30	39	3390	HU682M050O350A
	6800	35	30	30	39	3400	HU682M050P300A
	8200	30	40	25	32	3710	HU822M050O400A
	8200	35	35	25	32	3720	HU822M050P350A
10000	30	50	20	27	4090	HU103M050O500A	
10000	35	40	20	27	4100	HU103M050P400A	
12000	35	45	26	33	4560	HU123M050P450A	
15000	35	50	20	27	4770	HU153M050P500A	
63	1000	22	25	210	270	1170	HU102M063M250A
	1200	22	25	170	220	1250	HU122M063M250A
	1500	22	30	140	180	1480	HU152M063M300A
	1500	25	25	140	180	1500	HU152M063N250A
	1800	22	30	120	150	1590	HU182M063M300A
	1800	25	25	120	150	1600	HU182M063N250A
	2200	22	35	92	120	1830	HU222M063M350A
	2200	25	30	92	120	1840	HU222M063N300A
	2700	22	40	76	98	2050	HU272M063M400A
	2700	25	35	76	98	2050	HU272M063N350A
	2700	30	25	76	98	2030	HU272M063O250A
	3300	22	45	62	80	2330	HU332M063M450A
	3300	30	30	62	80	2400	HU332M063O300A
	3900	25	40	52	68	2540	HU392M063N400A
	3900	30	35	52	68	2570	HU392M063O350A
	4700	25	50	43	56	2980	HU472M063N500A
	4700	30	40	43	56	3020	HU472M063O400A
	4700	35	30	43	56	3050	HU472M063P300A
	5600	30	40	36	47	3280	HU562M063O400A
	5600	35	35	36	47	3310	HU562M063P350A

: See description at end of standard ratings

STANDARD RATINGS

V_R (V)	C_R (μ F)	$\varnothing D$ (mm)	L (mm)	Typ. ESR +20°C - 120Hz (m Ω)	Max. ESR +20°C - 120Hz (m Ω)	I_R - Max. Ripple Current +105°C - 120Hz (mA rms)	CapXon Part Number
63	6800	30	50	30	39	3730	HU682M063O500A
	6800	35	40	30	39	3750	HU682M063P400A
	8200	35	45	25	32	4200	HU822M063P450A
	10000	35	50	20	27	4700	HU103M063P500A
80	680	22	25	220	290	1000	HU681M080M250A
	820	22	25	180	240	1150	HU821M080M250A
	1000	22	25	150	200	1290	HU102M080M250A
	1200	22	30	130	170	1630	HU122M080M300A
	1200	25	25	130	170	1650	HU122M080N250A
	1500	22	30	100	130	1750	HU152M080M300A
	1500	25	25	100	130	1760	HU152M080N250A
	1800	22	35	85	110	1830	HU182M080M350A
	1800	25	30	85	110	1860	HU182M080N300A
	1800	30	25	85	110	1870	HU182M080O250A
	2200	22	40	70	90	2090	HU222M080M400A
	2200	25	35	70	90	2100	HU222M080N350A
	2200	30	25	70	90	2110	HU222M080O250A
	2700	25	40	57	74	2430	HU272M080N400A
	2700	30	30	57	74	2440	HU272M080O300A
	3300	25	45	46	60	2760	HU332M080N450A
	3300	30	35	46	60	2790	HU332M080O350A
	3300	35	30	46	60	2800	HU332M080P300A
	3900	25	50	39	51	3090	HU392M080N500A
	3900	30	40	39	51	3120	HU392M080O400A
	3900	35	30	39	51	3130	HU392M080P300A
	4700	30	45	33	42	3520	HU472M080O450A
	4700	35	35	33	42	3530	HU472M080P350A
	5600	30	50	27	36	3800	HU562M080O500A
5600	35	40	27	36	3870	HU562M080P400A	
6800	35	45	23	29	4190	HU682M080P450A	
100	330	22	20	460	600	800	HU331M100M200A
	470	22	25	320	420	920	HU471M100M250A
	470	25	20	320	420	1000	HU471M100N200A
	560	22	25	280	360	1100	HU561M100M250A
	680	22	30	220	290	1220	HU681M100M300A
	680	25	25	220	290	1240	HU681M100N250A
	820	22	30	180	240	1880	HU821M100M300A
	820	25	25	180	240	1960	HU821M100N250A
	1000	22	30	150	200	1930	HU102M100M300A
	1000	25	25	150	200	1920	HU102M100N250A
	1200	22	40	130	170	2080	HU122M100M400A
	1200	25	30	130	170	2080	HU122M100N300A
	1200	30	25	130	170	2080	HU122M100O250A
	1500	22	45	100	130	2150	HU152M100M450A

: See description at end of standard ratings

STANDARD RATINGS

V_R (V)	C_R (μ F)	$\varnothing D$ (mm)	L (mm)	Typ. ESR +20°C - 120Hz (m Ω)	Max. ESR +20°C - 120Hz (m Ω)	I_R - Max. Ripple Current +105°C - 120Hz (mA rms)	CapXon Part Number
100	1500	25	35	100	130	2150	HU152M100N350A
	1500	30	30	100	130	2150	HU152M100O300A
	1500	35	25	100	130	2150	HU152M100P250A
	1800	25	40	85	110	2370	HU182M100N400A
	1800	30	35	85	110	2370	HU182M100O350A
	2200	25	50	70	90	2650	HU222M100N500A
	2200	30	35	70	90	2610	HU222M100O350A
	2200	35	30	70	90	2750	HU222M100P300A
	2700	25	50	57	74	2760	HU272M100N500A
	2700	30	45	57	74	2960	HU272M100O450A
	2700	35	35	57	74	2960	HU272M100P350A
	3300	30	50	46	60	3340	HU332M100O500A
	3300	35	40	46	60	3340	HU332M100P400A
	3900	35	45	39	51	3690	HU392M100P450A
4700	35	50	33	42	4150	HU472M100P500A	
160	220	20	25	470	900	810	HU221M160L250A
	220	22	20	470	900	780	HU221M160M200A
	270	22	25	390	740	1010	HU271M160M250A
	270	25	20	390	740	1010	HU271M160N200A
	330	22	25	320	600	1170	HU331M160M250A
	330	25	20	320	600	1170	HU331M160N200A
	390	22	30	270	510	1430	HU391M160M300A
	390	25	25	270	510	1430	HU391M160N250A
	470	22	30	220	420	1520	HU471M160M300A
	470	25	25	220	420	1520	HU471M160N250A
	470	30	20	220	420	1530	HU471M160O200A
	680	22	40	150	290	1530	HU681M160M400A
	680	25	30	150	290	1530	HU681M160N300A
	680	30	25	150	290	1530	HU681M160O250A
	680	35	20	150	290	1560	HU681M160P200A
	820	22	45	130	240	1960	HU821M160M450A
	820	25	35	130	240	1960	HU821M160N350A
	820	30	30	130	240	1960	HU821M160O300A
	820	35	25	130	240	1960	HU821M160P250A
	1000	25	40	110	200	2230	HU102M160N400A
	1200	25	45	89	170	2400	HU122M160N450A
	1200	30	35	89	170	2400	HU122M160O350A
	1200	35	30	89	170	2400	HU122M160P300A
	1500	25	50	68	130	2600	HU152M160N500A
	1500	30	40	68	130	2600	HU152M160O400A
	1500	35	30	68	130	2600	HU152M160P300A
1800	30	45	58	110	2820	HU182M160O450A	
1800	35	35	58	110	2820	HU182M160P350A	
2200	30	50	48	90	3320	HU222M160O500A	

: See description at end of standard ratings

STANDARD RATINGS

V_R (V)	C_R (μ F)	$\varnothing D$ (mm)	L (mm)	Typ. ESR +20°C - 120Hz (m Ω)	Max. ESR +20°C - 120Hz (m Ω)	I_R - Max. Ripple Current +105°C - 120Hz (mA rms)	CapXon Part Number
160	2200	35	45	48	90	3500	HU222M160P450A
	2700	35	50	39	74	3780	HU272M160P500A
	3300	35	55	32	60	3860	HU332M160P550A
180	180	22	20	580	1110	760	HU181M180M200A
	220	25	20	470	900	900	HU221M180N200A
	270	22	25	390	740	1020	HU271M180M250A
	270	25	20	390	740	1030	HU271M180N200A
	330	20	30	320	600	1200	HU331M180L300A
	330	22	25	320	600	1200	HU331M180M250A
	330	25	20	320	600	1220	HU331M180N200A
	390	22	30	270	510	1320	HU391M180M300A
	390	25	25	270	510	1350	HU391M180N250A
	390	30	20	270	510	1350	HU391M180O200A
	470	22	35	220	420	1530	HU471M180M350A
	470	25	30	220	420	1540	HU471M180N300A
	470	30	25	220	420	1550	HU471M180O250A
	560	22	40	190	360	1670	HU561M180M400A
	560	25	30	190	360	1670	HU561M180N300A
	560	30	25	190	360	1670	HU561M180O250A
	560	35	20	190	360	1670	HU561M180P200A
	680	22	45	150	290	1780	HU681M180M450A
	680	25	35	150	290	1780	HU681M180N350A
	680	30	30	150	290	1780	HU681M180O300A
	680	35	25	150	290	1780	HU681M180P250A
	820	22	50	130	240	2090	HU821M180M500A
	820	25	40	130	240	2090	HU821M180N400A
	820	30	30	130	240	2090	HU821M180O300A
	820	35	25	130	240	2090	HU821M180P250A
	1000	22	50	110	200	2150	HU102M180M500A
	1000	25	45	110	200	2150	HU102M180N450A
	1000	30	35	110	200	2150	HU102M180O350A
	1000	35	30	110	200	2150	HU102M180P300A
	1200	22	60	89	170	2220	HU122M180M600A
	1200	25	50	89	170	2220	HU122M180N500A
	1200	30	40	89	170	2220	HU122M180O400A
	1200	35	30	89	170	2220	HU122M180P300A
1500	25	50	68	130	2240	HU152M180N500A	
1500	30	45	68	130	2240	HU152M180O450A	
1500	35	35	68	130	2240	HU152M180P350A	
1800	30	50	58	110	2880	HU182M180O500A	
1800	35	35	58	110	2880	HU182M180P350A	
1800	35	40	58	110	2940	HU182M180P400A	
2200	30	55	48	90	3120	HU222M180O550A	
2200	35	45	48	90	3120	HU222M180P450A	

: See description at end of standard ratings

STANDARD RATINGS

V_R (V)	C_R (μ F)	$\varnothing D$ (mm)	L (mm)	Typ. ESR +20°C • 120Hz (m Ω)	Max. ESR +20°C • 120Hz (m Ω)	I_R = Max. Ripple Current +105°C • 120Hz (mA rms)	CapXon Part Number
180	2200	35	50	48	90	3230	HU222M180P500A
	2200	35	55	48	90	3320	HU222M180P550A
	2700	35	50	39	74	3810	HU272M180P500A
200	150	20	20	700	1330	740	HU151M200L200A
	180	22	20	580	1110	760	HU181M200M200A
	220	20	25	470	900	1010	HU221M200L250A
	220	22	25	470	900	1050	HU221M200M250A
	220	25	20	470	900	1060	HU221M200N200A
	270	20	25	390	740	1070	HU271M200L250A
	270	22	25	390	740	1110	HU271M200M250A
	330	20	30	320	600	1210	HU331M200L300A
	330	22	30	320	600	1260	HU331M200M300A
	330	25	25	320	600	1270	HU331M200N250A
	390	20	35	270	510	1350	HU391M200L350A
	390	22	25	270	510	1350	HU391M200M250A
	390	22	30	270	510	1360	HU391M200M300A
	390	25	25	270	510	1370	HU391M200N250A
	470	20	40	220	420	1550	HU471M200L400A
	470	22	30	220	420	1560	HU471M200M300A
	470	22	35	220	420	1570	HU471M200M350A
	470	25	30	220	420	1580	HU471M200N300A
	470	30	25	220	420	1590	HU471M200O250A
	560	20	45	190	360	1730	HU561M200L450A
	560	22	35	190	360	1730	HU561M200M350A
	560	22	40	190	360	1770	HU561M200M400A
	560	25	30	190	360	1770	HU561M200N300A
	560	30	25	190	360	1770	HU561M200O250A
	680	22	40	150	290	2120	HU681M200M400A
	680	22	45	150	290	2150	HU681M200M450A
	680	25	35	150	290	2150	HU681M200N350A
	680	30	30	150	290	2150	HU681M200O300A
	680	35	25	150	290	2150	HU681M200P250A
	820	22	50	130	240	2190	HU821M200M500A
	820	25	45	130	240	2190	HU821M200N450A
	820	30	25	130	240	2200	HU821M200O250A
	820	30	30	130	240	2240	HU821M200O300A
820	35	25	130	240	2240	HU821M200P250A	
1000	25	40	110	200	2240	HU102M200N400A	
1000	30	30	110	200	2240	HU102M200O300A	
1000	30	35	110	200	2500	HU102M200O350A	
1000	35	30	110	200	2500	HU102M200P300A	
1200	25	50	89	170	2950	HU122M200N500A	
1200	30	35	89	170	2700	HU122M200O350A	
1200	30	40	89	170	2950	HU122M200O400A	

: See description at end of standard ratings

STANDARD RATINGS

V_R (V)	C_R (μ F)	$\varnothing D$ (mm)	L (mm)	Typ. ESR +20°C - 120Hz (m Ω)	Max. ESR +20°C - 120Hz (m Ω)	I_R - Max. Ripple Current +105°C - 120Hz (mA rms)	CapXon Part Number
200	1200	35	30	89	170	2950	HU122M200P300A
	1200	35	35	89	170	3130	HU122M200P350A
	1500	30	50	68	130	3200	HU152M200O500A
	1500	35	40	68	130	3200	HU152M200P400A
	1800	30	50	58	110	3300	HU182M200O500A
	1800	35	40	58	110	3300	HU182M200P400A
	1800	35	45	58	110	3550	HU182M200P450A
	2200	35	45	48	90	3850	HU222M200P450A
	2200	35	50	48	90	4000	HU222M200P500A
	2700	35	55	39	74	4300	HU272M200P550A
220	150	20	20	700	1330	710	HU151M220L200A
	180	22	20	580	1110	770	HU181M220M200A
	220	20	30	470	900	1070	HU221M220L300A
	220	22	25	470	900	1070	HU221M220M250A
	270	20	35	390	740	1160	HU271M220L350A
	270	22	30	390	740	1170	HU271M220M300A
	270	25	25	390	740	1180	HU271M220N250A
	330	20	35	320	600	1270	HU331M220L350A
	330	22	35	320	600	1280	HU331M220M350A
	330	25	25	320	600	1280	HU331M220N250A
	330	30	20	320	600	1300	HU331M220O200A
	390	20	40	270	510	1350	HU391M220L400A
	390	22	35	270	510	1410	HU391M220M350A
	390	25	30	270	510	1420	HU391M220N300A
	470	20	45	220	420	1630	HU471M220L450A
	470	22	40	220	420	1650	HU471M220M400A
	470	25	35	220	420	1650	HU471M220N350A
	470	30	25	220	420	1640	HU471M220O250A
	560	22	40	190	360	1790	HU561M220M400A
	560	22	45	190	360	1810	HU561M220M450A
	560	25	40	190	360	1830	HU561M220N400A
	560	30	30	190	360	1840	HU561M220O300A
	680	25	45	150	290	2230	HU681M220N450A
	680	30	35	150	290	2230	HU681M220O350A
	680	35	25	150	290	2230	HU681M220P250A
	820	25	50	130	240	2250	HU821M220N500A
	820	30	40	130	240	2250	HU821M220O400A
	820	35	30	130	240	2250	HU821M220P300A
	1000	25	55	110	200	2280	HU102M220N550A
	1000	30	45	110	200	2280	HU102M220O450A
1000	35	35	110	200	2280	HU102M220P350A	
1200	30	50	89	170	2320	HU122M220O500A	
1200	35	40	89	170	2320	HU122M220P400A	
1500	30	55	68	130	3130	HU152M220O550A	
1500	35	45	68	130	3230	HU152M220P450A	

: See description at end of standard ratings

STANDARD RATINGS

V _R (V)	C _R (μF)	∅ D (mm)	L (mm)	Typ. ESR +20°C - 120Hz (mΩ)	Max. ESR +20°C - 120Hz (mΩ)	I _R - Max. Ripple Current +105°C - 120Hz (mA rms)	CapXon Part Number
220	1800	35	50	58	110	3890	HU182M220P500A □□
	2200	35	60	48	90	3950	HU222M220P600A □□
250	150	20	20	700	1330	670	HU151M250L200A □□
	150	22	25	700	1330	760	HU151M250M250A □□
	150	25	20	700	1330	770	HU151M250N200A □□
	180	22	25	580	1110	790	HU181M250M250A □□
	180	25	25	580	1110	910	HU181M250N250A □□
	220	22	25	470	900	1110	HU221M250M250A □□
	220	25	25	470	900	1120	HU221M250N250A □□
	270	22	30	390	740	1220	HU271M250M300A □□
	270	25	30	390	740	1250	HU271M250N300A □□
	270	30	25	390	740	1250	HU271M250O250A □□
	330	22	35	320	600	1440	HU331M250M350A □□
	330	25	25	320	600	1430	HU331M250N250A □□
	330	25	30	320	600	1450	HU331M250N300A □□
	330	30	25	320	600	1450	HU331M250O250A □□
	390	22	35	270	510	1720	HU391M250M350A □□
	390	22	40	270	510	1750	HU391M250M400A □□
	390	25	35	270	510	1770	HU391M250N350A □□
	390	30	25	270	510	1780	HU391M250O250A □□
	470	22	40	220	420	1850	HU471M250M400A □□
	470	22	45	220	420	1860	HU471M250M450A □□
	470	25	40	220	420	1870	HU471M250N400A □□
	470	30	35	220	420	1880	HU471M250O350A □□
	470	35	30	220	420	1890	HU471M250P300A □□
	560	22	45	190	360	2160	HU561M250M450A □□
	560	25	45	190	360	2170	HU561M250N450A □□
	560	30	30	190	360	2180	HU561M250O300A □□
	560	35	25	190	360	2190	HU561M250P250A □□
	680	22	50	150	290	2250	HU681M250M500A □□
	680	25	40	150	290	2250	HU681M250N400A □□
	680	30	30	150	290	2250	HU681M250O300A □□
	680	30	35	150	290	2400	HU681M250O350A □□
	680	35	30	150	290	2400	HU681M250P300A □□
	820	25	50	130	240	2520	HU821M250N500A □□
	820	30	40	130	240	2520	HU821M250O400A □□
820	35	35	130	240	2520	HU821M250P350A □□	
1000	30	40	110	200	2750	HU102M250O400A □□	
1000	30	50	110	200	2880	HU102M250O500A □□	
1000	35	40	110	200	2880	HU102M250P400A □□	
1200	30	50	89	170	3150	HU122M250O500A □□	
1200	30	60	89	170	3350	HU122M250O600A □□	
1200	35	45	89	170	3280	HU122M250P450A □□	
1500	35	45	68	130	3760	HU152M250P450A □□	
1800	35	50	58	110	4060	HU182M250P500A □□	

□□: See description at end of standard ratings

STANDARD RATINGS

V_R (V)	C_R (μ F)	$\varnothing D$ (mm)	L (mm)	Typ. ESR +20°C - 120Hz (m Ω)	Max. ESR +20°C - 120Hz (m Ω)	I_R - Max. Ripple Current +105°C - 120Hz (mA rms)	CapXon Part Number
315	68	22	20	1540	2930	480	HU680M315M200A
	82	22	20	1280	2430	520	HU820M315M200A
	100	25	20	1050	1990	580	HU101M315N200A
	120	22	25	870	1660	760	HU121M315M250A
	120	30	20	870	1660	770	HU121M315O200A
	150	22	30	700	1330	830	HU151M315M300A
	150	25	25	700	1330	850	HU151M315N250A
	150	30	20	700	1330	860	HU151M315O200A
	180	22	30	580	1110	930	HU181M315M300A
	180	25	25	580	1110	950	HU181M315N250A
	220	22	40	470	900	1170	HU221M315M400A
	220	25	30	470	900	1140	HU221M315N300A
	220	30	25	470	900	1140	HU221M315O250A
	270	22	45	390	740	1280	HU271M315M450A
	270	25	35	390	740	1260	HU271M315N350A
	270	30	25	390	740	1270	HU271M315O250A
	330	22	50	320	600	1490	HU331M315M500A
	330	25	40	320	600	1490	HU331M315N400A
	330	30	30	320	600	1490	HU331M315O300A
	330	35	25	320	600	1490	HU331M315P250A
	390	25	45	270	510	1860	HU391M315N450A
	390	30	35	270	510	1860	HU391M315O350A
	390	35	30	270	510	1860	HU391M315P300A
	470	25	50	220	420	1960	HU471M315N500A
	470	30	40	220	420	1970	HU471M315O400A
	470	35	35	220	420	1990	HU471M315P350A
	560	30	45	190	360	2350	HU561M315O450A
	560	35	35	190	360	2360	HU561M315P350A
680	30	50	150	290	2370	HU681M315O500A	
680	35	40	150	290	2370	HU681M315P400A	
820	35	45	130	240	2380	HU821M315P450A	
1000	35	45	110	200	2460	HU102M315P450A	
350	56	22	20	1870	3550	420	HU560M350M200A
	68	25	20	1540	2930	520	HU680M350N200A
	82	25	20	1280	2430	550	HU820M350N200A
	100	22	30	1050	1990	710	HU101M350M300A
	120	25	25	870	1660	770	HU121M350N250A
	120	30	20	870	1660	770	HU121M350O200A
	150	22	30	700	1330	870	HU151M350M300A
	150	25	25	700	1330	870	HU151M350N250A
	150	30	20	700	1330	890	HU151M350O200A
	180	22	35	580	1110	950	HU181M350M350A
	180	25	30	580	1110	960	HU181M350N300A
180	30	25	580	1110	1050	HU181M350O250A	

: See description at end of standard ratings

STANDARD RATINGS

V_R (V)	C_R (μ F)	$\varnothing D$ (mm)	L (mm)	Typ. ESR +20°C - 120Hz (m Ω)	Max. ESR +20°C - 120Hz (m Ω)	I_R - Max. Ripple Current +105°C - 120Hz (mA rms)	CapXon Part Number
350	220	22	45	470	900	1250	HU221M350M450A
	220	25	35	470	900	1260	HU221M350N350A
	220	35	25	470	900	1280	HU221M350P250A
	270	22	50	390	740	1300	HU271M350M500A
	270	25	40	390	740	1310	HU271M350N400A
	270	30	30	390	740	1310	HU271M350O300A
	270	35	25	390	740	1320	HU271M350P250A
	330	25	45	320	600	1520	HU331M350N450A
	330	30	35	320	600	1540	HU331M350O350A
	330	35	30	320	600	1550	HU331M350P300A
	390	25	50	270	510	1940	HU391M350N500A
	390	30	35	270	510	1880	HU391M350O350A
	390	35	30	270	510	1880	HU391M350P300A
	470	25	50	220	420	2100	HU471M350N500A
	470	30	40	220	420	2100	HU471M350O400A
	470	35	40	220	420	2100	HU471M350P400A
	560	30	45	190	360	2390	HU561M350O450A
	560	35	40	190	360	2390	HU561M350P400A
680	30	50	150	290	2400	HU681M350O500A	
680	35	40	150	290	2410	HU681M350P400A	
820	35	45	130	240	2450	HU821M350P450A	
385	33	22	20	3170	6030	200	HU330M385M200A
	39	20	20	2680	5100	350	HU390M385L200A
	56	22	20	1870	3550	430	HU560M385M200A
	68	22	25	1540	2930	520	HU680M385M250A
	68	25	20	1540	2930	520	HU680M385N200A
	82	22	25	1280	2430	640	HU820M385M250A
	82	25	20	1280	2430	640	HU820M385N200A
	100	22	25	1050	1990	690	HU101M385M250A
	100	22	30	1050	1990	750	HU101M385M300A
	100	25	25	1050	1990	750	HU101M385N250A
	120	22	35	870	1660	800	HU121M385M350A
	120	25	25	870	1660	800	HU121M385N250A
	120	30	20	870	1660	800	HU121M385O200A
	150	22	35	700	1330	920	HU151M385M350A
	150	25	35	700	1330	920	HU151M385N350A
	150	30	30	700	1330	920	HU151M385O300A
	180	22	35	580	1110	1220	HU181M385M350A
	180	22	40	580	1110	1250	HU181M385M400A
180	25	30	580	1110	1320	HU181M385N300A	
180	30	30	580	1110	1340	HU181M385O300A	
180	35	25	580	1110	1340	HU181M385P250A	
270	30	30	390	740	1470	HU271M385O300A	
270	35	30	390	740	1480	HU271M385P300A	

: See description at end of standard ratings

STANDARD RATINGS

V_R (V)	C_R (μ F)	ϕ D (mm)	L (mm)	Typ. ESR +20°C - 120Hz (m Ω)	Max. ESR +20°C - 120Hz (m Ω)	I_R - Max. Ripple Current +105°C - 120Hz (mA rms)	CapXon Part Number
385	390	25	50	270	510	1950	HU391M385N500A
	390	30	40	270	510	1950	HU391M385O400A
	390	35	30	270	510	1950	HU391M385P300A
	470	30	50	220	420	2320	HU471M385O500A
	470	35	35	220	420	2320	HU471M385P350A
	680	30	55	150	290	2550	HU681M385O550A
	680	35	50	150	290	2550	HU681M385P500A
	820	35	55	130	240	2650	HU821M385P550A
400	47	22	20	2230	4230	400	HU470M400M200A
	56	22	20	1870	3550	440	HU560M400M200A
	68	22	25	1540	2930	530	HU680M400M250A
	68	25	20	1540	2930	530	HU680M400N200A
	82	22	25	1280	2430	580	HU820M400M250A
	82	25	20	1280	2430	580	HU820M400N200A
	82	25	25	1280	2430	630	HU820M400N250A
	100	22	25	1050	1990	660	HU101M400M250A
	100	22	30	1050	1990	690	HU101M400M300A
	100	25	25	1050	1990	690	HU101M400N250A
	120	22	30	870	1660	760	HU121M400M300A
	120	22	35	870	1660	810	HU121M400M350A
	120	25	25	870	1660	810	HU121M400N250A
	120	25	30	870	1660	840	HU121M400N300A
	120	30	20	870	1660	810	HU121M400O200A
	120	30	25	870	1660	840	HU121M400O250A
	150	22	35	700	1330	900	HU151M400M350A
	150	22	40	700	1330	950	HU151M400M400A
	150	25	25	700	1330	900	HU151M400N250A
	150	25	30	700	1330	950	HU151M400N300A
	150	30	20	700	1330	900	HU151M400O200A
	150	30	25	700	1330	950	HU151M400O250A
	180	22	35	580	1110	990	HU181M400M350A
	180	22	40	580	1110	1050	HU181M400M400A
	180	22	45	580	1110	1100	HU181M400M450A
	180	25	30	580	1110	1050	HU181M400N300A
	180	25	35	580	1110	1100	HU181M400N350A
	180	30	30	580	1110	1050	HU181M400O300A
	180	35	25	580	1110	1050	HU181M400P250A
	220	22	45	470	900	1120	HU221M400M450A
	220	22	50	470	900	1160	HU221M400M500A
	220	25	35	470	900	1120	HU221M400N350A
220	25	40	470	900	1160	HU221M400N400A	
220	25	45	470	900	1160	HU221M400N450A	
220	30	25	470	900	1120	HU221M400O250A	
220	30	30	470	900	1160	HU221M400O300A	

: See description at end of standard ratings

STANDARD RATINGS

V_R (V)	C_R (μ F)	$\varnothing D$ (mm)	L (mm)	Typ. ESR +20°C - 120Hz (m Ω)	Max. ESR +20°C - 120Hz (m Ω)	I_R - Max. Ripple Current +105°C - 120Hz (mA rms)	CapXon Part Number
400	220	30	35	470	900	1190	HU221M400O350A
	220	35	25	470	900	1160	HU221M400P250A
	270	22	50	390	740	1290	HU271M400M500A
	270	25	40	390	740	1290	HU271M400N400A
	270	25	45	390	740	1320	HU271M400N450A
	270	25	50	390	740	1380	HU271M400N500A
	270	30	30	390	740	1290	HU271M400O300A
	270	30	35	390	740	1320	HU271M400O350A
	270	35	30	390	740	1380	HU271M400P300A
	330	25	45	320	600	1460	HU331M400N450A
	330	25	50	320	600	1530	HU331M400N500A
	330	30	35	320	600	1480	HU331M400O350A
	330	30	40	320	600	1550	HU331M400O400A
	330	35	30	320	600	1550	HU331M400P300A
	330	35	35	320	600	1590	HU331M400P350A
	390	25	45	270	510	1610	HU391M400N450A
	390	30	40	270	510	1670	HU391M400O400A
	390	30	45	270	510	1760	HU391M400O450A
	390	35	30	270	510	1670	HU391M400P300A
	390	35	35	270	510	1760	HU391M400P350A
	390	35	40	270	510	1830	HU391M400P400A
	470	30	45	220	420	1930	HU471M400O450A
	470	30	50	220	420	2020	HU471M400O500A
	470	35	30	220	420	1670	HU471M400P300A
	470	35	35	220	420	1930	HU471M400P350A
	470	35	40	220	420	2010	HU471M400P400A
	560	30	50	190	360	2210	HU561M400O500A
	560	35	40	190	360	2210	HU561M400P400A
	560	35	45	190	360	2300	HU561M400P450A
	560	35	50	190	360	2410	HU561M400P500A
	680	30	55	150	290	2530	HU681M400O550A
	680	35	40	150	290	2530	HU681M400P400A
680	35	50	150	290	2650	HU681M400P500A	
820	35	55	130	240	2900	HU821M400P550A	
820	35	60	170	320	2950	HU821M400P600A	
1000	35	60	140	270	3000	HU102M400P600A	
1200	35	70	120	220	3120	HU122M400P700A	
420	47	22	20	2050	3900	400	HU470M420M200A
	56	22	20	1700	3230	440	HU560M420M200A
	68	22	25	1700	3230	540	HU680M420M250A
	68	25	20	1390	2650	540	HU680M420N200A
	82	22	25	1390	2650	580	HU820M420M250A
	82	25	25	1390	2650	630	HU820M420N250A
100	22	25	1390	2650	660	HU101M420M250A	

: See description at end of standard ratings

STANDARD RATINGS

V_R (V)	C_R (μ F)	$\varnothing D$ (mm)	L (mm)	Typ. ESR +20°C • 120Hz (m Ω)	Max. ESR +20°C • 120Hz (m Ω)	I_R = Max. Ripple Current +105°C • 120Hz (mA rms)	CapXon Part Number
420	100	22	30	1160	2210	690	HU101M420M300A
	100	25	25	1160	2210	690	HU101M420N250A
	100	30	20	1160	2210	690	HU101M420O200A
	120	22	30	1160	2210	760	HU121M420M300A
	120	22	35	1160	2210	810	HU121M420M350A
	120	25	25	1160	2210	810	HU121M420N250A
	120	25	30	930	1770	830	HU121M420N300A
	120	30	25	930	1770	830	HU121M420O250A
	120	35	20	930	1770	830	HU121M420P200A
	150	22	35	930	1770	900	HU151M420M350A
	150	22	40	930	1770	960	HU151M420M400A
	150	25	30	770	1470	960	HU151M420N300A
	150	25	35	770	1470	970	HU151M420N350A
	150	30	25	770	1470	970	HU151M420O250A
	180	25	35	640	1210	1060	HU181M420N350A
	180	30	30	640	1210	1110	HU181M420O300A
	180	35	25	640	1210	1110	HU181M420P250A
	220	22	45	640	1210	1110	HU221M420M450A
	220	22	50	640	1210	1160	HU221M420M500A
	220	25	35	640	1210	1110	HU221M420N350A
	220	25	45	640	1210	1190	HU221M420N450A
	220	30	30	520	980	1120	HU221M420O300A
	220	30	35	520	980	1190	HU221M420O350A
	220	35	25	520	980	1190	HU221M420P250A
	270	25	40	520	980	1250	HU271M420N400A
	270	30	30	520	980	1250	HU271M420O300A
	270	30	35	520	980	1320	HU271M420O350A
	270	30	40	420	800	1390	HU271M420O400A
	270	35	25	420	800	1320	HU271M420P250A
	270	35	30	420	800	1390	HU271M420P300A
	330	25	50	420	800	1530	HU331M420N500A
	330	30	35	420	800	1460	HU331M420O350A
	330	30	40	420	800	1530	HU331M420O400A
	330	30	45	360	680	1620	HU331M420O450A
	330	35	30	360	680	1620	HU331M420P300A
	330	35	35	360	680	1630	HU331M420P350A
	390	30	40	360	680	1670	HU391M420O400A
	390	30	45	360	680	1760	HU391M420O450A
	390	30	50	290	560	1840	HU391M420O500A
	390	35	35	290	560	1770	HU391M420P350A
	390	35	40	290	560	1840	HU391M420P400A
	470	30	50	290	560	2020	HU471M420O500A
470	30	60	250	470	2190	HU471M420O600A	
470	35	40	250	470	2010	HU471M420P400A	

: See description at end of standard ratings

STANDARD RATINGS

V_R (V)	C_R (μ F)	$\varnothing D$ (mm)	L (mm)	Typ. ESR +20°C - 120Hz (m Ω)	Max. ESR +20°C - 120Hz (m Ω)	I_R - Max. Ripple Current +105°C - 120Hz (mA rms)	CapXon Part Number
420	470	35	45	210	390	2110	HU471M420P450A
	560	35	45	210	390	2300	HU561M420P450A
	560	35	50	170	320	2410	HU561M420P500A
	680	35	50	170	320	2410	HU681M420P500A
	680	35	55	170	320	2760	HU681M420P550A
	820	30	60	170	320	2900	HU821M420O600A
	820	35	55	140	270	2950	HU821M420P550A
	820	35	60	120	220	3000	HU821M420P600A
450	56	22	25	2490	4740	470	HU560M450M250A
	68	22	25	2050	3900	520	HU680M450M250A
	68	22	30	2050	3900	560	HU680M450M300A
	68	25	25	2050	3900	570	HU680M450N250A
	82	22	25	1700	3230	560	HU820M450M250A
	82	22	30	1700	3230	620	HU820M450M300A
	82	25	25	1700	3230	620	HU820M450N250A
	100	22	30	1390	2650	680	HU101M450M300A
	100	22	35	1390	2650	730	HU101M450M350A
	100	25	25	1390	2650	730	HU101M450N250A
	100	25	30	1390	2650	760	HU101M450N300A
	100	30	25	1390	2650	760	HU101M450O250A
	120	22	35	1160	2210	800	HU121M450M350A
	120	22	40	1160	2210	840	HU121M450M400A
	120	25	30	1160	2210	840	HU121M450N300A
	120	25	35	1160	2210	860	HU121M450N350A
	120	30	25	1160	2210	860	HU121M450O250A
	150	22	40	930	1770	940	HU151M450M400A
	150	22	45	930	1770	990	HU151M450M450A
	150	25	30	930	1770	940	HU151M450N300A
	150	25	35	930	1770	990	HU151M450N350A
	150	25	40	930	1770	1010	HU151M450N400A
	150	30	25	930	1770	990	HU151M450O250A
	150	30	30	930	1770	1010	HU151M450O300A
	150	35	25	930	1770	1010	HU151M450P250A
	180	25	35	770	1470	1050	HU181M450N350A
	180	25	40	770	1470	1110	HU181M450N400A
	180	25	45	770	1470	1180	HU181M450N450A
	180	30	30	770	1470	1120	HU181M450O300A
	180	30	35	770	1470	1180	HU181M450O350A
	180	35	25	770	1470	1180	HU181M450P250A
	220	22	50	640	1210	1160	HU221M450M500A
220	25	40	640	1210	1160	HU221M450N400A	
220	25	45	640	1210	1190	HU221M450N450A	
220	25	50	640	1210	1250	HU221M450N500A	
220	30	30	640	1210	1160	HU221M450O300A	

: See description at end of standard ratings

STANDARD RATINGS

V_R (V)	C_R (μ F)	$\varnothing D$ (mm)	L (mm)	Typ. ESR +20°C - 120Hz (m Ω)	Max. ESR +20°C - 120Hz (m Ω)	I_R - Max. Ripple Current +105°C - 120Hz (mA rms)	CapXon Part Number
450	220	30	35	640	1210	1190	HU221M450O350A
	220	30	40	640	1210	1250	HU221M450O400A
	220	35	25	640	1210	1190	HU221M450P250A
	220	35	30	640	1210	1250	HU221M450P300A
	270	25	50	520	980	1380	HU271M450N500A
	270	30	30	520	980	1180	HU271M450O300A
	270	30	35	520	980	1320	HU271M450O350A
	270	30	40	520	980	1390	HU271M450O400A
	270	30	45	520	980	1460	HU271M450O450A
	270	35	30	520	980	1400	HU271M450P300A
	270	35	35	520	980	1470	HU271M450P350A
	330	30	40	420	800	1540	HU331M450O400A
	330	30	45	420	800	1620	HU331M450O450A
	330	30	50	420	800	1690	HU331M450O500A
	330	35	35	420	800	1630	HU331M450P350A
	330	35	40	420	800	1700	HU331M450P400A
	390	30	50	360	680	1840	HU391M450O500A
	390	35	40	360	680	1860	HU391M450P400A
	390	35	45	360	680	1920	HU391M450P450A
	470	35	40	290	560	2010	HU471M450P400A
470	35	45	290	560	2110	HU471M450P450A	
560	30	60	250	470	2390	HU561M450O600A	
560	35	50	250	470	2410	HU561M450P500A	
560	35	55	250	470	2510	HU561M450P550A	
680	35	50	210	390	2650	HU681M450P500A	
680	35	55	210	390	2760	HU681M450P550A	
500	39	22	25	3580	6800	360	HU390M500M250A
	47	22	25	2970	5640	400	HU470M500M250A
	56	22	30	2490	4740	470	HU560M500M300A
	68	22	30	2050	3900	520	HU680M500M300A
	68	25	25	2050	3900	530	HU680M500N250A
	82	22	35	1700	3230	610	HU820M500M350A
	82	25	30	1700	3230	620	HU820M500N300A
	82	30	25	1700	3230	650	HU820M500O250A
	100	22	40	1390	2650	710	HU101M500M400A
	100	25	35	1390	2650	720	HU101M500N350A
	100	30	25	1390	2650	700	HU101M500O250A
	120	22	45	1160	2210	700	HU121M500M450A
	120	25	35	1160	2210	700	HU121M500N350A
	120	30	30	1160	2210	820	HU121M500O300A
	120	35	30	1160	2210	910	HU121M500P300A
150	22	50	930	1770	960	HU151M500M500A	
150	25	45	930	1770	980	HU151M500N450A	
150	30	35	930	1770	980	HU151M500O350A	

: See description at end of standard ratings

STANDARD RATINGS

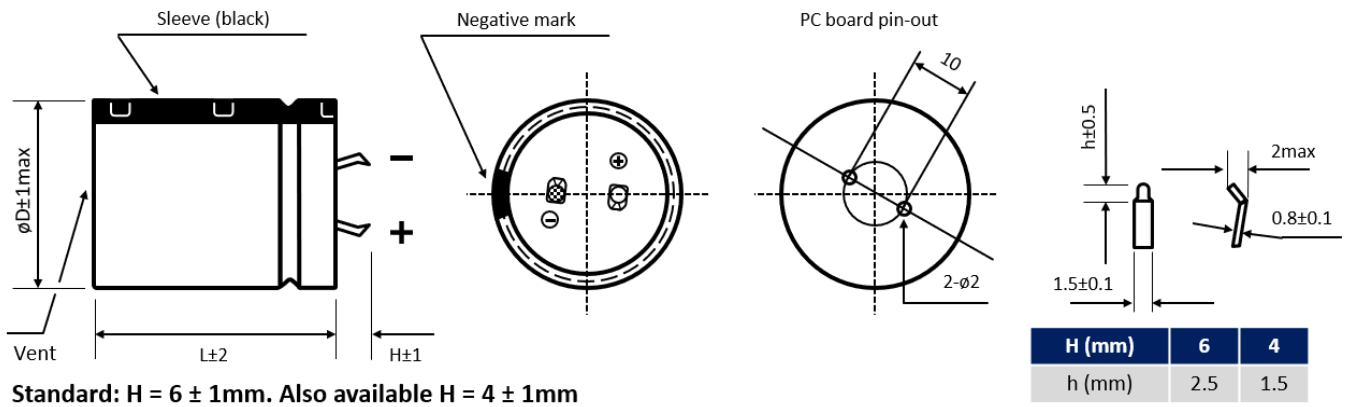
V_R (V)	C_R (μ F)	ϕD (mm)	L (mm)	Typ. ESR +20°C - 120Hz (m Ω)	Max. ESR +20°C - 120Hz (m Ω)	I_R - Max. Ripple Current +105°C - 120Hz (mA rms)	CapXon Part Number
500	150	35	30	930	1770	980	HU151M500P300A <input type="checkbox"/>
	180	25	50	770	1470	1130	HU181M500N500A <input type="checkbox"/>
	180	30	40	770	1470	1130	HU181M500O400A <input type="checkbox"/>
	180	35	30	770	1470	1130	HU181M500P300A <input type="checkbox"/>
	220	30	45	640	1210	1320	HU221M500O450A <input type="checkbox"/>
	220	35	35	640	1210	1320	HU221M500P350A <input type="checkbox"/>
	270	30	50	520	980	1530	HU271M500O500A <input type="checkbox"/>
	270	35	40	520	980	1530	HU271M500P400A <input type="checkbox"/>
	330	35	45	420	800	1770	HU331M500P450A <input type="checkbox"/>
	390	35	50	360	680	1880	HU391M500P500A <input type="checkbox"/>
470	35	55	290	560	2200	HU471M500P550A <input type="checkbox"/>	

: Enter **P6** for standard type - 6mm pin length
: Enter **Z6** for 3-pin type - 6mm pin length
: Enter **Y6** for multipin-type - 6mm pin length

: Enter **P4** for standard type - 4mm pin length
: Enter **Z4** for 3-pin type - 4mm pin length
: Enter **Y4** for multipin type - 4mm pin length

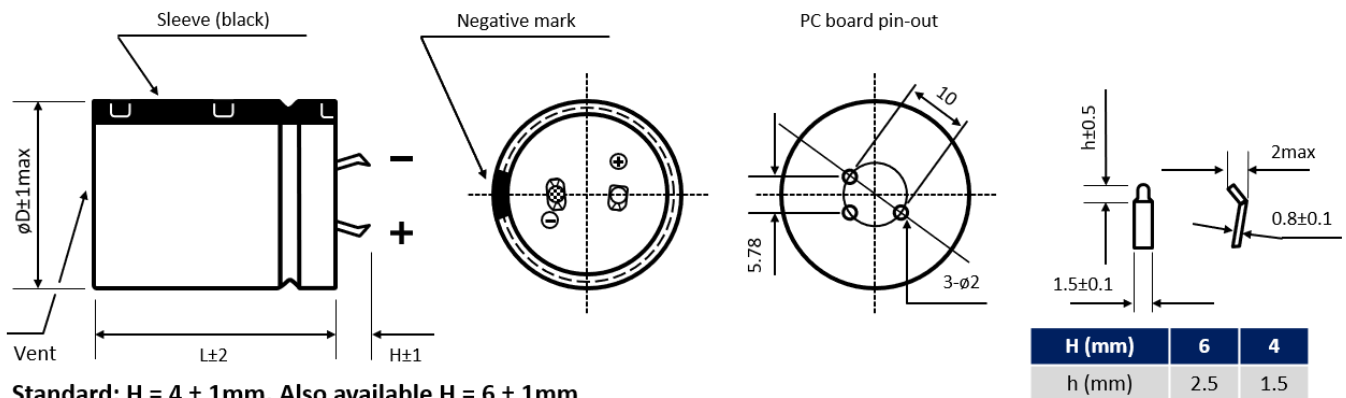
DIMENSIONS - All dimensions in mm

2-pin version - Standard type



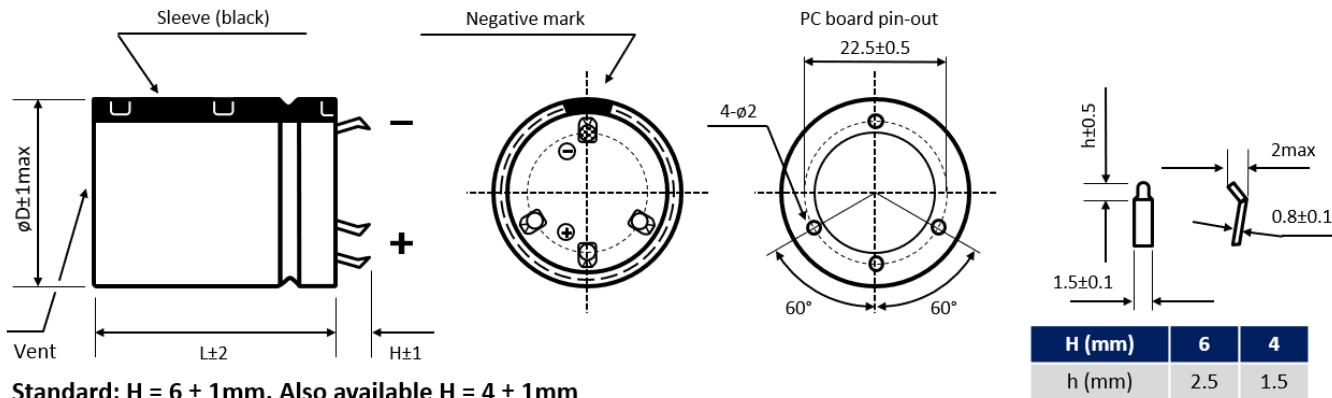
Standard: $H = 6 \pm 1$ mm. Also available $H = 4 \pm 1$ mm

3-pin version - Polarity protection



Standard: $H = 4 \pm 1$ mm. Also available $H = 6 \pm 1$ mm

DIMENSIONS ▪ All dimensions in mm

 Multipin version ▪ Diameter $\phi D \geq 30$ mm


Further possible terminal styles can be found in our packaging information liquid snap-in.

MULTIPLIER K_f for RIPPLE CURRENT vs. FREQUENCY

V_R (V) / Frequency (Hz)	50/60	100/120	300	1k	10k	50k - 100k
$10 \leq V_R \leq 100$	0.88	1	1.07	1.15	1.15	1.15
$160 \leq V_R \leq 250$	0.81	1	1.17	1.32	1.45	1.5
$315 \leq V_R \leq 500$	0.77	1	1.16	1.3	1.41	1.43

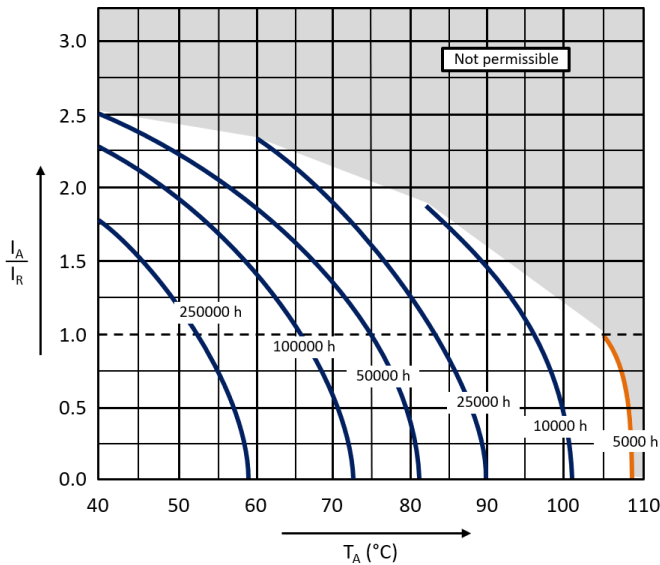
PRECAUTIONS, GUIDELINES AND PACKAGING INFORMATION

Unless otherwise agreed in individual specifications, all products are subject to our “General Precautions and Guidelines” as well as our “Packaging Information”. Please refer to the following links in the table.

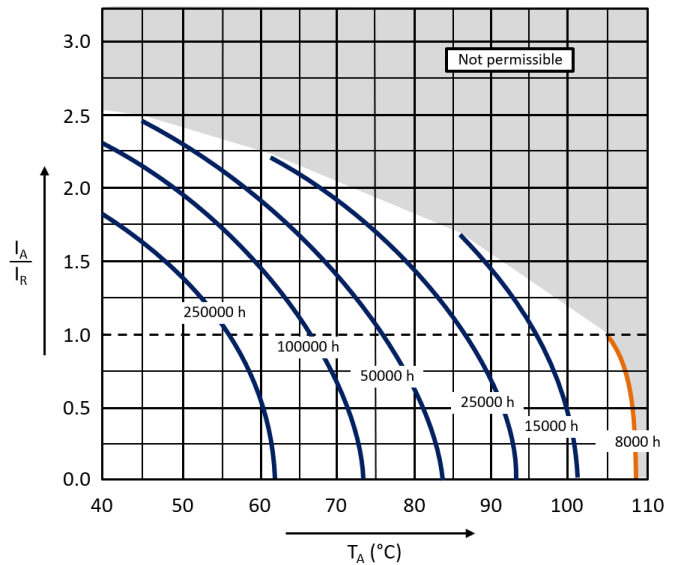
General Precautions & Guidelines	Packaging Information	Vibration Test Profiles	3D Models

USEFUL LIFE

$V_R \leq 100V$



$V_R \geq 160V$



With: I_A : Application current
 I_R : Rated ripple current (A RMS)
 T_A : Application temperature of the capacitor

DISCLAIMER

All product related data (e.g. specification, statements and general information) are subject to change without any notice. It is necessary that the customer observes all product related technical / application information and handling instructions.

CapXon products are designed and manufactured according to severe quality and safety standards. Under no circumstance, CapXon warrants that any CapXon product is suitable for the purposes intended for your application, even CapXon knows the application. It is customer's duty and obligation to check and make sure that CapXon products are suitable for the purposes intended and select the correct and proper CapXon product. Customers are requested to perform a sufficient validation and reliability evaluation to assure needed safety level and reliability performance by suitable designs and to apply proper safeguards (e.g. redundancies, protective circuits).

Particular operating conditions (ambient temperature, ripple current, voltage, thermal resistance, etc.) as well as storage, production or assembly may affect the performance and the lifetime of the capacitor. Please consult CapXon for lifetime estimation, failure mode considerations or worst-case scenarios according to the product technology, product tolerances / deviations or change of the characteristics of the capacitor due to shipment, storage, handling, production and usage.

For aerospace or military application, life-saving, life-sustaining, safety critical applications or any application where failure may cause severe personal injury or death, please consult us before design-in the capacitor in your application.

Except for the written expressed warranties, CapXon does not impliedly, by assumption or whatever else, warrant, undertake, promise any other warranty or guaranty for any CapXon product.

For further information, please visit our website www.capxongroup.com or contact CapXon directly.