



// HYDRA - Leistungs- Kondensatoren PEC



amelec Electronic GmbH
Brunnwiesenstrasse 6A
8157 Dielsdorf



Tel.: 044 862 00 62
Fax: 044 862 00 63



info@amelec.ch
www.amelec.ch
shop.amelec.ch

1.General Technical Data.....	Page
i. Application.....	3
ii. General Features.....	3
iii. Portfolio.....	3
iv. Definitions.....	3
2. MKP Single Phase Capacitors	
i. EAB MKP Capacitor.....	4-6
1. Application	4
2.Features.....	4
3.Technical Specification.....	4
4.Drawing.....	5
5.Product Overview.....	6
ii. EBB MKP Capacitor.....	7-9
1. Application	7
2.Features.....	7
3.Technical Specification.....	7
4.Drawing.....	8
5.Product Overview.....	9
3. DPM Three Phase Capacitors	
i. ERB DPM Capacitor.....	10-12
1. Application	10
2.Features.....	10
3.Technical Specification.....	10
4.Drawing.....	11
5.Product Overview.....	12
ii. ECB DPM Capacitor.....	13-15
1. Application	13
2.Features.....	13
3.Technical Specification.....	13
4.Drawing.....	14
5.Product Overview.....	15

GENERAL TECHNICAL DATA

Application

Capacitors for power electronics are using for a wide variety of applications such as filter capacitors, capacitors for damping of undesirable voltage spikes during the switching of power semiconductors or quenching of conductive state of thyristor.

General Features

- Profil metallisation of polypropylene film for better overvoltage reliability.
- Wave-cut design of film guaratees hight current performance (RMS, peak current).
- Environmentally friendly vegetable oil filling for best thermal performance.
- Built-in overpressure interrupter for a safe operation in case of any internal failure.
- High reliability and life expectancy.

Portfolio

HYDRA has following series of capacitors for power electronics:

- MKP range (1-phase)
 - ✓ EAB MKP
 - ✓ EBB MKP
- DPM range (3-phase)
 - ✓ ERB DPM
 - ✓ ECB DPM
- **Definitions**

C_N	Rated capacitance
U_N	Maximum operating peak recurrent voltage of either polarity of a reversing type waveform for which the capacitor has been designed.
U_{NDC}	Maximum operating peak voltage of either polarity of non reversing type waveform for which the capacitor has been designed for continuous operation.
U_{rms}	Rated rms voltage.
U_s	Surge (not repetitive) peak voltage.
U_{BB}	Terminal-terminal test voltage
U_{BG}	Terminal-case test voltage
I_{max}	Maximum rms current value for continuous operation. Its value depends on ambient temperature.
I_{peak}	Maximum peak current. The maximum current amplitude occur instantaneously contimous operation. The maximum peak current and the maximum rate of voltage rise (dv/dt) _{max} on a capacitor are related as follows: $I_{peak} = C * (dv/dt)_{max}$
I_s	Maximum surge current. The admissible peak current induced by switching or any other disturbance of the system which is allowed for a limited number of times. Maximum duration: 50ms/pulse. Maximum number of occurrences: 1000 (during load).
R_s	Series resistance of capacitor. It is the result of the resistive losses that occur in the electrodes, in contacting and in the inner wiring.
L_s	Self inductance of the capacitor. It is due to the internal connections, terminals, winding characteristics and physical dimensions.

MKP SINGLE PHASE CAPACITORS

EAB MKP Capacitor



Fig. 1: EAB MKP Capacitor

1. Application

Capacitors for power electronics
AC-DC filter capacitors

2. Features

Self healing dielectric
Two variants of terminals: single tags (A1) and double tags (A2)

3. Technical Specification

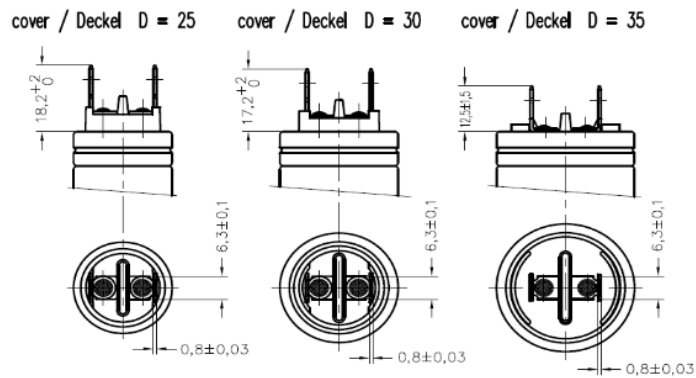
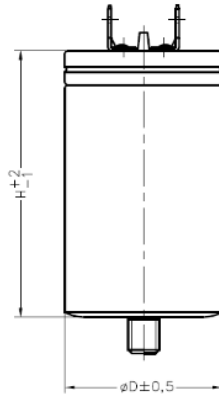
General characteristics	
Dielectric	Metallized polypropylene
Capacitance tolerance	± 5%
Rated current	6-10A (A1) 10-16 (A2)
Operating temperature (case)	-25°C...85°C
Storage temperature	-40°C...85°C
Life expectancy	100.000h at <85°C hotspot
Case material	Aluminium
Cover material	Plastic UL 94 (V-0)
Filling	Vegetable oil
Protection	Overpressure disconnecter
Mounting	Indoor, vertical
Mounting torque	5 Nm for M8/12Nm for M12
Standard	IEC 61071 (2007-01) Ed. 1.0

MKP SINGLE PHASE CAPACITORS

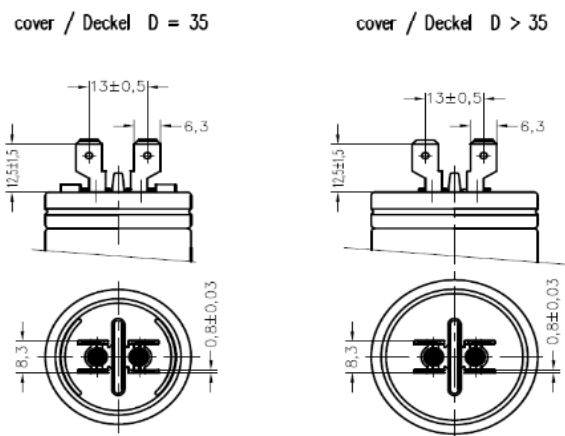
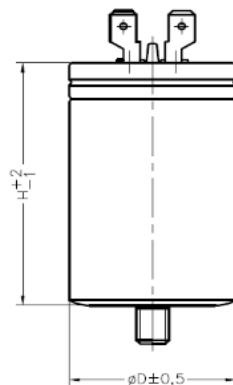
EAB MKP Capacitor

4. Drawing

DESIGN A1
single tags AMP
Flachstecker AMP
A 6,3x0,8 DIN 46244



DESIGN A2
double tags AMP
Doppelfachstecker AMP
A 6,3x0,8 DIN 46244



MKP SINGLE PHASE CAPACITORS

EAB MKP Capacitor

5. Product Overview

C _N (μF)	U _N (VDC)	R _S (mOhm)	I _{max} (A)	I _{peak} (kA)	I _S (kA)	L _S (nH)	D x H (mm)	Design	m (kg)	Type
		U _N 420VAC			U _{rms} 300VAC	U _S 1050V	U _{BB} 1050VDC/10s or 1155VDC/2s		U _{BG} 3000VAC/10s	
15	700	4	10	0,3	0,9	60	35x58	A2	0,068	EAB MKP 15/420
20	700	3	16	0,4	1,2	60	40x58	A2	0,089	EAB MKP 20/420
22	700	7	10	0,3	0,9	80	35x78	A1	0,091	EAB MKP 22/420
24	700	6	10	0,3	0,9	80	35x78	A1	0,091	EAB MKP 24/420
24	700	6	16	0,3	0,9	80	35x78	A2	0,091	EAB MKP 24/420
35	700	4,5	16	0,4	1,2	80	40x78	A2	0,119	EAB MKP 35/420
50	700	3,2	16	0,6	1,8	80	45x83	A2	0,159	EAB MKP 50/420
75	700	2,1	16	0,8	2,6	80	55x83	A2	0,24	EAB MKP 75/420
80	700	2	16	0,9	2,7	80	55x83	A2	0,24	EAB MKP 80/420
90	700	1,8	16	1	3	80	60x83	A2	0,285	EAB MKP 90/420
		U _N 500VAC			U _{rms} 360VAC	U _S 1260V	U _{BB} 1260VDC/10s or 1386VDC/2s		U _{BG} 3000VAC/10s	
1	840	19	6	0,1	0,3	50	25x48	A1	0,029	EAB MKP 1/500
20	840	6,5	16	0,3	0,9	80	40x78	A2	0,119	EAB MKP 20/500
25	840	5,3	16	0,35	1	80	40x78	A2	0,119	EAB MKP 25/500
33	840	4	16	0,45	1,4	80	45x83	A2	0,159	EAB MKP 33/500
50	840	2,6	16	0,7	2,1	80	55x83	A2	0,24	EAB MKP 50/500
60	840	2,2	16	0,85	2,5	80	60x83	A2	0,285	EAB MKP 60/500
		U _N 640VAC			U _{rms} 450VAC	U _S 1500V	U _{BB} 1500VDC/10s or 1650VDC/2s		U _{BG} 3000VAC/10s	
4	1000	9	10	0,15	0,4	60	30x58	A1	0,05	EAB MKP 4/640
4,7	1000	8	10	0,15	0,4	60	30x58	A1	0,05	EAB MKP 4,7/640
5	1000	7	10	0,15	0,45	60	35x58	A1	0,068	EAB MKP 5/640
6	1000	6	10	0,2	0,6	60	35x58	A1	0,068	EAB MKP 6/640
6,8	1000	5	10	0,2	0,6	60	35x58	A1	0,068	EAB MKP 6,8/640
10	1000	5,5	16	0,3	0,9	70	40x68	A2	0,104	EAB MKP 10/640
15	1000	5,5	16	0,3	0,9	80	40x78	A2	0,119	EAB MKP 15/640
18	1000	5	16	0,35	1	80	45x83	A2	0,159	EAB MKP 18/640
22	1000	4,5	16	0,4	1,2	80	50x83	A2	0,199	EAB MKP 22/640
25	1000	4	16	0,47	1,4	80	50x83	A2	0,199	EAB MKP 25/640
40	1000	2,5	16	0,75	2,3	80	65x83	A2	0,334	EAB MKP 40/640
47	1000	2,1	16	0,87	2,6	80	65x83	A2	0,334	EAB MKP 47/640
50	1000	3,7	16	0,7	2	100	60x103	A2	0,353	EAB MKP 50/640
60	1000	3,2	16	0,8	2,4	100	65x103	A2	0,41	EAB MKP 60/640
100	1000	5	16	0,85	2,6	140	65x143	A2	0,573	EAB MKP 100/640
		U _N 680VAC			U _{rms} 480VAC	U _S 1680V	U _{BB} 1680VDC/10s or 1850VDC/2s		U _{BG} 3000VAC/10s	
3,3	1120	10	6	0,1	0,3	60	30x58	A1	0,05	EAB MKP 3,3/680
12	1120	7	10	0,2	0,06	80	40x78	A2	0,119	EAB MKP 12/680
15	1120	6	16	0,3	0,85	80	40x78	A2	0,119	EAB MKP 15/680
20	1120	4,5	16	0,4	1,1	80	45x83	A2	0,159	EAB MKP 20/680
30	1120	3	16	0,6	1,7	80	55x83	A2	0,24	EAB MKP 30/680
33	1120	3	16	0,6	1,8	80	60x83	A2	0,285	EAB MKP 33/680
40	1120	4	16	0,55	1,7	100	55x103	A2	0,297	EAB MKP 40/680
50	1120	3,5	16	0,7	2,1	100	60x103	A2	0,353	EAB MKP 50/680
60	1120	3	16	0,8	2,4	100	65x103	A2	0,41	EAB MKP 60/680
70	1120	6	16	0,6	1,9	140	60x143	A2	0,489	EAB MKP 70/680
		U _N 750VAC			U _{rms} 530VAC	U _S 1900V	U _{BB} 1800VDC/10s or 1980VDC/2s		U _{BG} 3000VAC/10s	
4,7	1200	15	6	0,1	0,3	80	30x78	A1	0,091	EAB MKP 4,7/750
6,8	1200	10	10	0,15	0,45	80	35x78	A2	0,091	EAB MKP 6,8/750
10	1200	6,8	14	0,2	0,6	80	40x78	A2	0,119	EAB MKP 10/750
16	1200	5	16	0,4	1,2	80	50x83	A2	0,199	EAB MKP 16/750
22	1200	4	16	0,5	1,5	80	60x83	A2	0,285	EAB MKP 22/750
26	1200	3,4	16	0,6	1,8	80	65x83	A2	0,334	EAB MKP 26/750
29	1200	3	16	0,7	2,1	80	65x83	A2	0,334	EAB MKP 29/750
33	1200	11	16	0,35	1,1	140	50x143	A2	0,34	EAB MKP 33/750
		U _N 850VAC			U _{rms} 600VAC	U _S 2100V	U _{BB} 1830VDC/10s or 2010VDC/2s		U _{BG} 3000VAC/10s	
0,47	1200	18,9	6	0,1	0,3	60	25x58	A1	0,035	EAB MKP 0,47/850
2	1200	7,5	10	0,18	0,55	60	30x58	A1	0,068	EAB MKP 2/850
2,2	1200	8,5	10	0,2	0,6	60	30x58	A1	0,068	EAB MKP 2,2/850
3,3	1200	16	10	0,18	0,55	80	30x78	A1	0,067	EAB MKP 3,3/850
3,3	1200	6	16	0,25	0,8	60	35x58	A2	0,05	EAB MKP 3,3/850
4	1200	13	10	0,2	0,6	80	30x78	A1	0,067	EAB MKP 4/850
15	1200	4	16	0,7	2	80	55x83	A2	0,24	EAB MKP 15/850
		U _N 1000VAC			U _{rms} 720VAC	U _S 2500V	U _{BB} 2150VDC/10s or 2365VDC/2s		U _{BG} 3000VAC/10s	
1,5	1200	10	10	0,15	0,5	60	30x58	A1	0,05	EAB MKP 1,5/1000
2,2	1200	7	10	0,25	0,7	60	35x58	A1	0,068	EAB MKP 2,2/1000
3	1200	16	10	0,18	0,55	80	30x78	A1	0,067	EAB MKP 3/1000
4	1200	10	10	0,25	0,75	80	35x78	A1	0,091	EAB MKP 4/1000
5	1200	8	16	0,3	0,9	80	40x78	A2	0,119	EAB MKP 5/1000
6	1200	4	16	0,4	1,2	80	45x83	A2	0,159	EAB MKP 6/1000
6,8	1200	7	16	0,4	1,2	80	45x83	A2	0,159	EAB MKP 6,8/1000
8	1200	5	16	0,5	1,5	80	45x83	A2	0,159	EAB MKP 8/1000
15	1200	3	16	0,9	2,7	80	60x83	A2	0,285	EAB MKP 15/1000
		U _N 1200VAC			U _{rms} 850VAC	U _S 3000V	U _{BB} 2580VDC/10s or 2840VDC/2s		U _{BG} 4000VAC/10s	
0,47	1200	18	6	0,1	0,3	60	30x58	A1	0,05	EAB MKP 0,47/1200
0,5	1200	18	6	0,1	0,3	60	30x58	A1	0,05	EAB MKP 0,5/1200
0,68	1200	14	6	0,11	0,35	60	30x58	A1	0,05	EAB MKP 0,68/1200
1	1200	12	6	0,15	0,4	60	30x58	A1	0,05	EAB MKP 1/1200
1,2	1200	10	10	0,16	0,5	6	30x58	A1	0,05	EAB MKP 1,2/1200
1,5	1200	24	6	0,1	0,3	80	30x78	A1	0,091	EAB MKP 1,5/1200
2	1200	18	6	0,15	0,45	80	30x78	A1	0,091	EAB MKP 2/1200
4	1200	9	16	0,3	0,9	80	40x78	A2	0,119	EAB MKP 4/1200
4,7	1200	8	16	0,35	1,1	80	45x83	A2	0,159	EAB MKP 4,7/1200
5	1200	7	16	0,35	1,1	80	45x83	A2	0,159	EAB MKP 5/1200
5,75	1200	6	16	0,45	1,3	80	45x83	A2	0,159	EAB MKP 5,75/1200
6,8	1200	5,8	16	0,5	1,5	80	50x83	A2	0,199	EAB MKP 6,8/1200
10	1200	4	16	0,7	2,1	80	60x83	A2	0,285	EAB MKP 10/1200

Note: Other voltages and capacitance values are available on request

MKP SINGLE PHASE CAPACITORS

EBB MKP Capacitor



Fig. 2: EBB MKP Capacitor

1. Application

Capacitors for power electronics
AC-DC filter capacitors

2. Features

Self healing dielectric
Screw terminals (Design B - high current version)

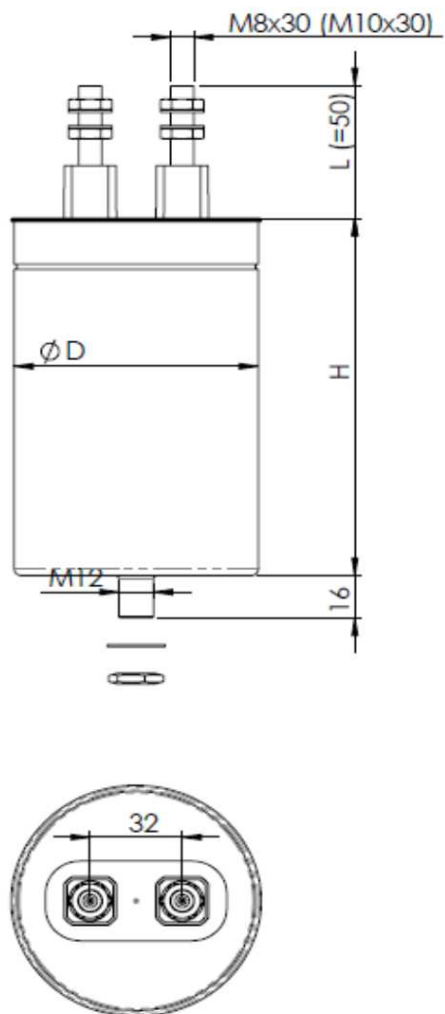
3. Technical Specification

General characteristics	
Dielectric	Metallized polypropylene
Capacitance tolerance	± 5%
Rated current	40-80A
Operating temperature (case)	-25°C...60°C
Storage temperature	-40°C...85°C
Life expectancy	100.000h at <70°C hotspot
Case material	Aluminium
Cover material	Steel
Filling	Vegetable oil
Protection	Overpressure disconnecter
Mounting	Indoor, vertical
Mounting torque	12 Nm for M12
Standard	IEC 61071 (2007-01) Ed. 1.0

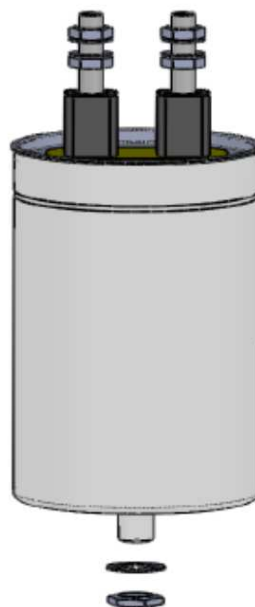
MKP SINGLE PHASE CAPACITORS

EBB MKP Capacitor

4. Drawing



Design B



MKP SINGLE PHASE CAPACITORS

EBB MKP Capacitor

5. Product Overview

C_N (μ F)	U_N (VDC)	R_s (mOhm)	I_{max} (A)	I_{peak} (kA)	I_s (kA)	L_s (nH)	D x H (mm)	Design	m (kg)	Type
		U_N 420VAC		U_{rms} 300VAC	U_s 1050V		U_{BB} 1050VDC/10s		U_{BG} 3000VAC/10s	
170	700	1,3	40	2	6	120	85x110	B	0,6	EBB MKP 170/420
220	700	0,8	50	3	9	140	85x130	B	0,8	EBB MKP 220/420
250	700	1	80	3,5	11	160	85x150	B	1	EBB MKP 250/420
400	700	0,7	80	5	15	230	85x220	B	1,4	EBB MKP 400/420
470	700	0,7	80	6	18	230	85x220	B	1,4	EBB MKP 470/420
		U_N 500VAC		U_{rms} 360VAC	U_s 1260V		U_{BB} 1260VDC/10s		U_{BG} 3000VAC/10s	
300	840	1	80	5	15	230	85x220	B	1,4	EBB MKP 300/500
		U_N 640VAC		U_{rms} 450VAC	U_s 1500V		U_{BB} 1500VDC/10s		U_{BG} 3000VAC/10s	
100	1000	1,1	60	2,3	7	160	85x150	B	1	EBB MKP 100/640
140	1000	1	60	2,6	8	180	85x170	B	1,1	EBB MKP 140/640
200	1000	0,7	80	4	16	270	85x260	B	1,8	EBB MKP 200/640
		U_N 680VAC		U_{rms} 480VAC	U_s 1680V		U_{BB} 1680VDC/10s		U_{BG} 3000VAC/10s	
100	1120	1,1	60	2,3	7	160	85x150	B	1	EBB MKP 100/680
150	1120	1	80	3	9	180	85x170	B	1,1	EBB MKP 150/680
200	1120	0,7	80	4	16	270	85x260	B	1,8	EBB MKP 200/680
		U_N 750VAC		U_{rms} 530VAC	U_s 1900V		U_{BB} 1890VDC/10s		U_{BG} 3000VAC/10s	
150	1260	0,7	80	4	12	230	85x220	B	1,4	EBB MKP 150/750
		U_N 850VAC		U_{rms} 600VAC	U_s 2100V		U_{BB} 2100VDC/10s		U_{BG} 3000VAC/10s	
80	1400	1,3	80	2	6	180	85x170	B	1,1	EBB MKP 80/850
120	1400	0,8	80	3	9	270	85x260	B	1,8	EBB MKP 120/850
		U_N 1000VAC		U_{rms} 720VAC	U_s 2500V		U_{BB} 2520VDC/10s		U_{BG} 3000VAC/10s	
28	1680	0,8	50	2	6	140	85x130	B	0,8	EBB MKP 28/1000
33	1680	0,7	50	2,5	7,5	140	85x130	B	0,8	EBB MKP 33/1000
68	1680	0,7	80	4	12	230	85x220	B	1,4	EBB MKP 68/1000
80	1680	0,7	80	4,5	13,5	270	85x260	B	1,8	EBB MKP 80/1000
		U_N 1200VAC		U_{rms} 850VAC	U_s 3000V		U_{BB} 3000VDC/10s		U_{BG} 4200VAC/10s	
32	2000	1,5	60	2,5	7,5	180	85x170	B	1,1	EBB MKP 32/1200
33	2000	1,5	80	2,5	7,5	180	85x170	B	1,1	EBB MKP 33/1200
40	2000	0,8	80	3	9	180	85x170	B	1,1	EBB MKP 40/1200
53	2000	1	80	4	12	270	85x260	B	1,8	EBB MKP 53/1200
		U_N 1350VAC		U_{rms} 960VAC	U_s 3300V		U_{BB} 3375VDC/10s		U_{BG} 4200VAC/10s	
15	2250	1,3	50	1,5	4,5	140	85x130	B	0,8	EBB MKP 15/1350
16	2250	1,3	50	1,5	4,5	140	85x130	B	0,8	EBB MKP 16/1350
20	2250	1	50	2	6	180	85x150	B	1,1	EBB MKP 20/1350
22	2250	1,3	60	2	6	180	85x150	B	1,1	EBB MKP 22/1350
40	2250	0,8	80	4	12	270	85x260	B	1,8	EBB MKP 40/1350

Note: Other voltages and capacitance values are available on request

DPM THREE PHASE CAPACITORS

ERB DPM Capacitor



Fig. 3: ERB DPM Capacitor

1. Application

Capacitors for power electronics

AC-DC filter capacitors

2. Features

Self healing dielectric

Steel cover with terminal block (three design variants)

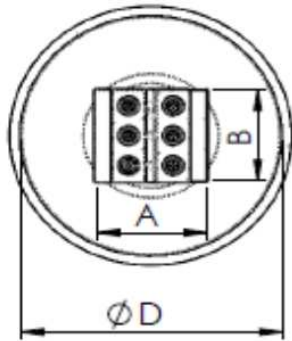
3. Technical Specification

General characteristics	
Dielectric	Metallized polypropylene
Capacitance tolerance	± 5%
Rated current	max 80A
Operating temperature (case)	-25°C...60°C
Storage temperature	-40°C...85°C
Life expectancy	100.000h at <70°C hotspot
Case material	Aluminium
Cover material	Steel
Filling	Vegetable oil
Protection class	IP 20
Protection	Overpressure disconnector
Mounting	Indoor, vertical
Mounting torque	12 Nm for M12
Standard	IEC 61071 (2007-01) Ed. 1.0

DPM THREE PHASE CAPACITORS

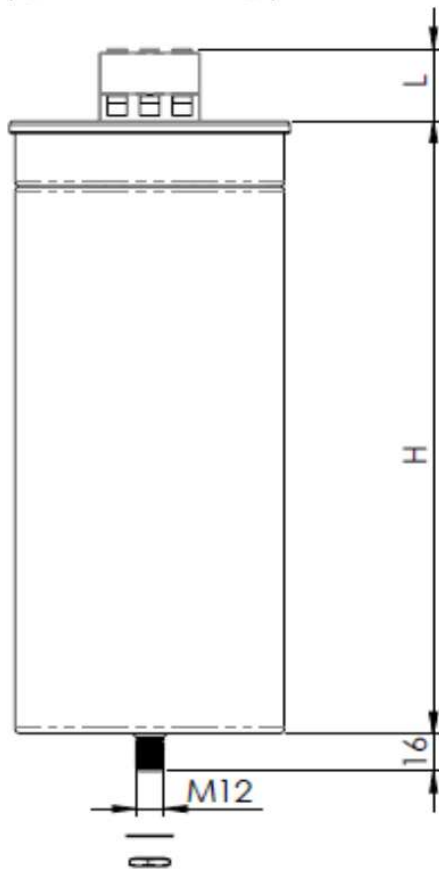
ERB DPM Capacitor

4. Drawing



Design	mm ²	A/mm	B/mm	L/mm
D16	16	38	44	35
D25	25	43	48	39
D35	35	51	62	50

Design D



DPM THREE PHASE CAPACITORS

ERB DPM Capacitor

5. Product Overview

C _N (μF)	R _S (mOhm)	I _{max} (A)	I _{peak} (kA)	I _s (kA)	L _s (nH)	D x H (mm)	Design	m (kg)	Type
	U _N 640VAC	U _{rms} 450VAC		U _s 1380V	U _{BB} 960VAC/10s	U _{BG} 3600VAC/10s			
3x33	3x1,4	3x36	0,8	2,4	150	75x170	D16	0,9	ERB DPM 3x33/640D
3x40	3x1,2	3x36	1	3	150	75x170	D16	0,9	ERB DPM 3x40/640D
3x46	3x1,1	3x43	1,2	3,6	150	85x170	D25	1,1	ERB DPM 3x46/640D
3x51	3x1	3x43	1,3	3,9	150	85x170	D25	1,1	ERB DPM 3x51/640D
3x57	3x1,3	3x43	1,1	3,3	180	85x200	D25	1,2	ERB DPM 3x57/640D
3x68	3x1	3x43	1,4	4,2	180	85x200	D25	1,2	ERB DPM 3x68/640D
3x80	3x0,8	3x43	2,1	6,3	150	116x175	D25	2,1	ERB DPM 3x80/640D
3x100	3x0,8	3x43	2,6	7,8	150	116x175	D25	2,1	ERB DPM 3x100/640D
3x135	3x0,9	3x80	2,7	8,2	180	116x205	D35	2,3	ERB DPM 3x135/640D
3x200	3x0,9	3x80	3,3	9,9	210	136x235	D35	3,4	ERB DPM 3x200/640D
	U _N 750VAC	U _{rms} 530VAC		U _s 1610V	U _{BB} 1125VAC/10s	U _{BG} 3600VAC/10s			
3x23	3x1,3	3x36	0,8	2,4	150	75x170	D16	0,9	ERB DPM 3x23/750D
3x29	3x1,1	3x36	1	3	150	85x170	D16	0,9	ERB DPM 3x29/750D
3x30	3x0,9	3x43	1	3	150	85x170	D25	1,1	ERB DPM 3x30/750D
3x38,4	3x1,3	3x43	1	3	180	85x200	D25	1,2	ERB DPM 3x38,4/750D
3x47,9	3x1,6	3x43	1	3	210	85x230	D25	1,3	ERB DPM 3x47,9/750D
3x50	3x1,6	3x43	1	3	210	85x230	D25	1,5	ERB DPM 3x50/750D
3x100	3x1	3x80	2,1	6,3	210	116x235	D35	2,6	ERB DPM 3x100/750D
	U _N 850VAC	U _{rms} 600VAC		U _s 1830V	U _{BB} 1275VAC/10s	U _{BG} 3600VAC/10s			
3x14	3x1,8	3x36	0,5	1,5	150	75x170	D16	0,9	ERB DPM 3x14/850D
3x19	3x1,4	3x36	0,7	2,1	150	75x170	D16	0,9	ERB DPM 3x19/850D
3x25	3x1,2	3x43	0,9	2,7	150	85x170	D25	1,1	ERB DPM 3x25/850D
3x30	3x1,6	3x43	0,9	2,7	180	85x200	D25	1,2	ERB DPM 3x30/850D
3x37,5	3x0,9	3x43	1,4	4,2	150	116x175	D25	2,1	ERB DPM 3x37,5/850D
3x50	3x0,7	3x43	1,8	5,6	150	116x175	D25	2,1	ERB DPM 3x50/850D
3x86	3x1	3x43	2	6	210	116x235	D25	2,6	ERB DPM 3x86/850D
3x120	3x1,1	3x80	2,85	8,55	230	136x235	D35	3	ERB DPM 3x120/850D
	U _N 1080VAC	U _{rms} 760VAC		U _s 2320V	U _{BB} 2320VDC/10s	U _{BG} 3600VAC/10s			
3x6,2	3x1,2	3x36	0,9	2,8	150	75x170	D16	0,9	ERB DPM 3x6,2/1080D
3x9,7	3x1,1	3x36	1	3	150	75x170	D16	0,9	ERB DPM 3x9,7/1080D
3x11	3x1	3x36	1,2	3,6	150	75x170	D16	0,9	ERB DPM 3x11/1080D
3x16,7	3x0,7	3x43	1,8	5,4	150	85x170	D25	1,1	ERB DPM 3x16,7/1080D
3x18,4	3x0,7	3x43	2,3	6,9	150	116x175	D25	2,1	ERB DPM 3x18,4/1080D
3x22	3x0,7	3x43	2,8	8,4	150	116x175	D25	2,1	ERB DPM 3x22/1080D
3x27,2	3x0,6	3x43	3	9	150	116x175	D25	2,1	ERB DPM 3x27,2/1080D
3x33,4	3x0,6	3x43	3,6	10,8	150	116x205	D25	2,1	ERB DPM 3x33,4/1080D
3x49	3x0,7	3x43	4	12	180	136x205	D25	3	ERB DPM 3x49/1080D
3x55,7	3x0,6	3x43	4,5	13,5	180	136x205	D25	3	ERB DPM 3x55,7/1080D
	U _N 1130VAC	U _{rms} 800VAC		U _s 2430V	U _{BB} 2430VDC/10s	U _{BG} 3600VAC/10s			
3x24,9	0,9	3x43	2,3	6,9	180	116x205	D25	2,3	ERB DPM 3x24,9/1130D
3x33,2	0,8	3x43	3	9	180	116x235	D25	2,3	ERB DPM 3x33,2/1130D
3x41,4	0,7	3x43	3,8	11,4	180	136x205	D25	3	ERB DPM 3x41,4/1130D
3x46,5	0,7	3x43	4	12	180	136x235	D25	3	ERB DPM 3x46,5/1130D
	U _N 1200VAC	U _{rms} 850VAC		U _s 2580V	U _{BB} 2580VDC/10s	U _{BG} 3600VAC/10s			
3x8	3x1,1	3x36	1	3	150	75x170	D16	0,9	ERB DPM 3x8/1200D
3x12	3x0,9	3x43	1,5	4,5	150	85x170	D25	1,1	ERB DPM 3x12/1200D
3x23	3x0,6	3x43	2,5	7,5	150	116x175	D25	2,1	ERB DPM 3x23/1200D
3x25	3x0,6	3x43	2,3	7	180	116x205	D25	2,3	ERB DPM 3x25/1200D
3x41,5	3x0,8	3x43	3	9	210	116x235	D25	2,6	ERB DPM 3x41,5/1200D
3x50	3x0,8	3x80	3,5	10,5	210	136x235	D35	3,4	ERB DPM 3x50/1200D
3x55,7	3x0,8	3x80	4	12	210	136x235	D35	3,4	ERB DPM 3x55,7/1200D
	U _N 1400VAC	U _{rms} 1000VAC		U _s 3010V	U _{BB} 3010VDC/10s	UBG 4200VAC/10s			
3x20	3x0,8	3x80	2,1	6,3	180	116x205	D35	2,3	ERB DPM 3x20/1400D
3x33	3x0,8	3x80	3	9	180	136x205	D35	3	ERB DPM 3x33/1400D
3x40	3x0,8	3x80	3,4	10,2	210	136x235	D35	3,4	ERB DPM 3x40/1400D

Note: Other voltages and capacitance values are available on request

DPM THREE PHASE CAPACITORS

ECB DPM Capacitor



Fig. 4: ECB DPM Capacitor

1. Application

Capacitors for power electronics
AC-DC filter capacitors

2. Features

Self healing dielectric
Steel cover, tag terminals

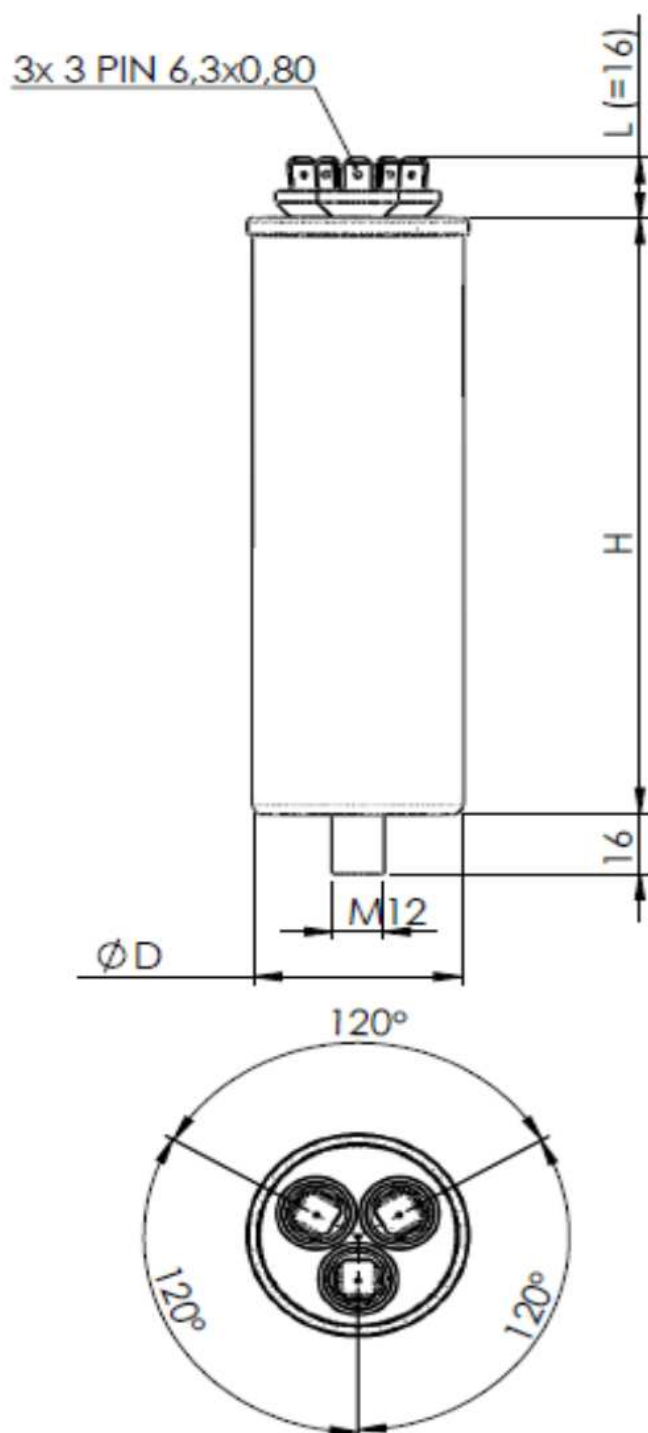
3. Technical Specification

General characteristics	
Dielectric	Metallized polypropylene
Capacitance tolerance	± 5%
Rated current	max. 16A
Operating temperature (case)	-25°C...70°C
Storage temperature	-40°C...85°C
Life expectancy	100.000h at <70°C hotspot
Case material	Aluminium
Cover material	Steel
Filling	Vegetable oil
Protection	Overpressure disconnector
Mounting	Indoor, vertical
Standard	IEC 61071 (2007-01) Ed. 1.0

DPM THREE PHASE CAPACITORS

ECB DPM Capacitor

4. Drawing



Design C3



DPM THREE PHASE CAPACITORS

ECB DPM Capacitor

5. Product Overview

C_N (μF)	R_s (mOhm)	I_{max} (A)	I_{peak} (kA)	I_s (kA)	L_s (nH)	D x H (mm)	Design	m (kg)	Type
	U_N 640VAC	U_{rms} 450VAC		U_s 1380V	U_{BB} 960VAC/10s		U_{BG} 3600VAC/10s		
	U_N 750VAC	U_{rms} 530VAC		U_s 1610V	U_{BB} 1125VAC/10s		U_{BG} 3600VAC/10s		
3x9	3x2,3	3x16	0,35	1	120	50x155	C3	0,35	ECB DPM 3x9/750D
3x10	3x2,1	3x16	0,38	1,1	120	50x155	C3	0,35	ECB DPM 3x10/750D
	U_N 850VAC	U_{rms} 600VAC		U_s 1830V	U_{BB} 1275VAC/10s		U_{BG} 3600VAC/10s		
3x6	3x1	3x16	0,6	1,8	120	50x155	C3	0,35	ECB DPM 3x6/850D
3x6,7	3x0,9	3x16	0,65	2	120	50x155	C3	0,35	ECB DPM 3x6,7/850D
	U_N 1080VAC	U_{rms} 760VAC		U_s 2320V	U_{BB} 2320VDC/10s		U_{BG} 3600VAC/10s		
3x4,7	3x1,5	3x16	0,5	1,5	120	50x155	C3	0,35	ECB DPM 3x4,7/1080D
	U_N 1200VAC	U_{rms} 850VAC		U_s 2580V	U_{BB} 2580VDC/10s		U_{BG} 3600VAC/10s		
3x2,5	3x1,7	3x16	0,35	1,1	120	50x155	C3	0,35	ECB DPM 3x2,5/1200D
3x3	3x1,3	3x16	0,43	1,3	120	50x155	C3	0,35	ECB DPM 3x3/1200D
3x4	3x1,2	3x16	0,5	1,5	120	50x155	C3	0,35	ECB DPM 3x4/1200D

Note: Other voltages and capacitance values are available on request

HYDRA a.s.
Průmyslová 1110
CZ-50601 Jičín

Sales office:
Hydra Components GmbH
Breitenbachstraße 23
D-13509 Berlin
Tel.: + 49 - 30 / 40 80 41 84
Fax: + 49 - 30 / 40 80 41 89
E-Mail: office@hydra-components.com



amelec Electronic GmbH
Brunnwiesenstrasse 6A
CH-8157 Dielsdorf



Tel.: +41 44 862 00 62
Fax: +41 44 862 00 63



info@amelec.ch
www.amelec.ch
shop.amelec.ch

Findet Lösungen!