



## PRODUCT CATALOGUE

# PARTS AND TRAYS

# POWER FACTOR CORRECTION **LV**

# ICAR Means Capacitors

ICAR S.p.A. is synonym of capacitor from 1946, coniuigated over its multiple applications. All along ICAR has believed in the quality of its products and in the strength of the International regulations for the achievements of the high performance standards required for capacitor in industrial applications.

Nowadays ICAR is one of the few companies able to manufacture capacitors starting from the raw material up to the finished product; the entire process is checked in order to obtain a product of high quality level that guarantees its functioning even in the most burdensome plant configurations. Today ICAR produces different type of capacitors, from the lighting and single phase motor types to the ones for power electronics (electric traction, industrial services) and those of medium voltage. The various characteristics demanded to these products in terms of electric, mechanical and thermal stress, enabled to find technical solutions that have been applying in other fields with interesting results: for instance the optimization of capacitors for special applications enabled to

find very strong solutions that have been then applied on power factor correction capacitors.

The production of the dielectric film (polypropylene or special paper), the metallization process, the production of the capacitor and the construction of the power factor correction banks are fully executed within companies of the Group; that guarantees the achievement of the highest quality standard weather of the metalized film or, consequently, the capacitors manufactured. Furthermore, the knowhow acquired in almost 50 years of metalized film production, has enabled ICAR to realize absolute innovative products like 3Ut range of capacitors. Used to deal with International markets ICAR faced the requests of the strictest Certification Bodies and was awarded UNI EN ISO 9001: 2000 Certification, ICAR periodically takes part to CEI/ IEC committees for the compilation of the product regulations, aimed at setting the objective criterions to evaluate capacitors performances and safety. It's constantly in the vanguard and able to anticipate the regulations requirements; in order to ensure the accordance with the International regulations and the most strict customers acceptance criterions, products are submitted to tests in the internal laboratories (where it's possible to test capacitors up to 700  $\mu$ F and voltage up to 80 kV) and in the greatest internationally recognized laboratories (CESI). Everything is performed for the safety of the customer who entrusted a reliable partner with a pluridecennal experience in capacitors for the most disparate applications.



Bank for power factor correction



Capacitors and MT power factor correction systems



Power electronics capacitors



Active filters



LV voltage stabilizers



EMI RFI filters



Motor run capacitors



Capacitors for energy storage and rapid discharge



Lighting capacitors



Reactors and LV/LV special transformers

# Power factor correction

## An advantageous choice under the technological and ecological prospective

The proper power factor correction of an electric plant, brings to several implications far beyond the simple technical considerations. In an electric plant, the useful energy that is transformed into work is the active energy.

The electric devices that determine a low cos phi, require a quote of ("reactive") energy for their proper functioning that causes a greater load in both the manufacturing power plant and the electric lines that convey the plant up to the user plant.

The power factor correction enables to "produce" the reactive energy within the plant with clearly visible advantage for the user and the electric network behind it.

The proper power factor correction of an electric plant, has, technically, the following advantages:

- Avoid the fines applied by the energy suppliers to the users with low cos phi.
- For new plants, optimize the dimensioning of the plant depending on the actual planned production capability
- For existing plants, recover productive capability without adding/increasing the performances of what already installed (transformers, cables)
- Reduce line voltage drop (that could cause problems in motors starting or plants served by long MV power lines with low short circuit power).
- Reduce energy losses due to Joule effect in transformers and cables

The payback of a power factor correction system often occurs within a little more than a year.

Beside these technical/economical considerations, it can not be forgotten the ecological importance of the power factor correction. In fact, the growing energy demand makes necessary to:

- increase the total power installed by building new generating plants with the resulting environmental impact for pollution emission during their life cycle
- improve the performances of the transmission and distribution networks with the addition of new lines and/or the expansion of the existing ones.

A politic of power factor correction bringing the average Italian cos phi to 0,95 would make saving, according to preventive estimates, about a million of MWh/year with evident advantage in terms of stress reduction for the power plant park and the energy transmission /distribution network, reducing, at the same time, CO2 emission of about a million tons.

# Quality

ICAR has always regarded product quality and effectiveness of internal processes as key factors of corporate strategy. In ICAR we believe that compliance with international standards is a basic requirement to offer equipment that can meet the needs of our customers.

## Quality System

The ICAR Quality management system is certified according to ISO 9001 since 1994.

We participate actively in international standards committees that draft regulations applicable to our production equipment, and in particular to industrial capacitors: this guarantees to be always up with changes in legislation, or rather pre-empt it.

Since 2011 the ICAR quality management system is certified by IRIS (International Railway Industry Standard). Promoted by UNIFE (Association of European companies operating



Certificato UNI EN  
Iso9001:2008

in the railway sector) and supported by operators, system integrators and equipment manufacturers, IRIS integrates the ISO 9001 quality standard introducing additional requirements, specific to the railway industry.



IRIS is modeled on quality standards similar to those already in use in the automotive and aerospace industries.

Independent certification bodies and approved by the promulgators of the standard ensure objectivity and transparency in the evaluation.

IRIS certification, while being oriented in the rail system, has a positive effect on the whole ICAR quality system, with benefits for all types of produced devices.

The valid certificates can be downloaded from the website [www.icar.com](http://www.icar.com) the section "Company - Quality"

## Product quality

The equipment produced in ICAR are tested both in our laboratories and in the most important internationally recognized laboratories, in order to ensure compliance with the highest standards.

# Certificates and Approvals

**CSQ**  
www.csq.it

**CERTIFICATO N. 9170.ICAR**  
**CERTIFICATE N. 9170.ICAR**

IS CERTIFICATE IL SISTEMA QUALITA' DI  
WE HEREBY CERTIFY THAT THE QUALITY SYSTEM OPERATED BY

**ICAR SPA**  
CORSO MAGENTA 65 - 20123 MILANO (MI)  
UNITS OPERATIVE  
OPERATIVE UNITS  
VIA ISONZO 10 - 20900 MONZA (MI)  
VIA NOSELA 1/3 - 24030 VILLA D'ADDA (BG)

**ROMCAP CONDENSATORI SRL**  
PLODESTI IND. PARC. 100080, PIRAMIDEI N. 3 - PLODESTI ROMANIA

E' CONFORME ALLA NORMA  
IS IN COMPLIANCE WITH THE STANDARD

**ISO 9001:2008**

PER LE SEGUENTI ATTIVITA'  
FOR THE FOLLOWING ACTIVITIES

Progettazione e costruzione di condensatori, sistemi di rifasamento e filtri di armoniche per bassa/medialta tensione, trasformatori di tensione, capacitori, filtri antiriflesso, apparecchiature speciali, film metalizzato  
Design and manufacture of capacitors, equipment for power factor correction and harmonic filter for low/medium/high voltage, transformer coupling capacitors, EMI filters, special equipment, metalized film

Numero di manuale della qualita' per l'applicabilita' dei requisiti della norma ISO 9001:2008  
Refer to quality manual for details of applications to ISO 9001:2008 requirements

IL PRESENTE CERTIFICATO E' SOGGETTO AL RISPETTO DEL  
REQUIREMENTO PER LA CERTIFICAZIONE DEI SISTEMI DI GESTIONE  
THE USE AND THE VALIDITY OF THE CERTIFICATE SHALL SATISFY THE  
REQUIREMENTS OF THE RULES FOR CERTIFICATION OF MANAGEMENT SYSTEMS

| PRIMA EMISSIONE | EMMISSIONE CORRETTA | DATA SCADENZA |
|-----------------|---------------------|---------------|
| 1994-10-05      | 2012-05-30          | 2014-07-28    |

**ICAR SPA**  
VIA ISONZO 10 - 20900 MONZA (MI)  
VIA NOSELA 1/3 - 24030 VILLA D'ADDA (BG)  
ROMCAP CONDENSATORI SRL  
PLODESTI IND. PARC. 100080, PIRAMIDEI N. 3 - PLODESTI ROMANIA  
for the following field of activities  
Design and manufacture of capacitors, equipment for power factor correction and harmonic filter for low/medium/high voltage, transformer coupling capacitors, EMI filters, special equipment, metalized film  
Refer to quality manual for details of applications to ISO 9001:2008 requirements  
has implemented and maintains a  
**Quality Management System**  
which fulfills the requirements of the following standard  
**ISO 9001:2008**  
Issued on: 2012 - 05 - 30      Expiry date: 2014 - 07 - 28

Registration Number: **IT - 30436**

**Michael Deuchel**  
President of IQNET

**Guillermo Prati**  
President of CSQ

**ICAR SPA**  
www.icar.it

**IQNet**  
THE INTERNATIONAL CERTIFICATION NETWORK

**CERTIFICATE**

IQNet and its partner  
**CISQ/ISO-CISQ**  
hereby certify that the organization

**ICAR SPA**  
VIA ISONZO 10 - 20900 MONZA (MI)  
VIA NOSELA 1/3 - 24030 VILLA D'ADDA (BG)  
ROMCAP CONDENSATORI SRL  
PLODESTI IND. PARC. 100080, PIRAMIDEI N. 3 - PLODESTI ROMANIA  
for the following field of activities  
Design and manufacture of capacitors, equipment for power factor correction and harmonic filter for low/medium/high voltage, transformer coupling capacitors, EMI filters, special equipment, metalized film  
Refer to quality manual for details of applications to ISO 9001:2008 requirements  
has implemented and maintains a  
**Quality Management System**  
which fulfills the requirements of the following standard  
**ISO 9001:2008**  
Issued on: 2012 - 05 - 30      Expiry date: 2014 - 07 - 28

Registration Number: **IT - 30436**

**Michael Deuchel**  
President of IQNET

**Guillermo Prati**  
President of CSQ

**ICAR SPA**  
www.icar.it

**СИСТЕМА СЕРТИФИКАЦИИ ГОСТ Р  
ГОССТАНДАРТ РОССИИ**

**СЕРТИФИКАТ СООТВЕТСТВИЯ**

№ РОСС RU.АВ23.101730  
Срок действия с 15.07.2009 по 14.07.2012

**1085377**

**ОРГАН ПО СЕРТИФИКАЦИИ** № РОСС RU.АВ23.101730  
ПРОДУКЦИОННОЕ ОБЩЕСТВО С ОГРАНИЧЕННОЙ ОТВЕТСТВЕННОСТЬЮ "СЕРКОНС"  
РФ, 115114, г. Москва, ул. Дербеневская, д. 25, стр. 16, тел. (495) 782-17-68, факс (495) 775-74-60

**ПРОДУКЦИЯ** Цилиндрический трансформаторный основной конденсатор серии СВТ300000000 и серии ВС700000000, так же любые значения (поффа, буфера, тока, емкости, веса, профбл)  
Средний voltage

**СООТВЕТСТВУЕТ ТРЕБОВАНИЯМ НОРМАТИВНЫХ ДОКУМЕНТОВ**  
ГОСТ 12.2.007.5-75 (в. 12); ГОСТ 1292-88 (вч. 3.4, 3.5, 3.8)

**ИЗГОТОВИТЕЛЬ** «ICAR SPA»  
Corso Magenta 65-20123, Milano(MI), Италия

**СЕРТИФИКАТ ВЫДАН** «ICAR SPA»  
Corso Magenta 65-20123, Milano(MI), Италия

**НА ОСНОВАНИИ** протокола сертификационных испытаний № 936-103 от 15.07.2009г.; ЗАО "ТНБ", № РОСС RU.0001.21M.344 от 21.05.2009г., адрес: Россия, 125035, г. Москва, ул. Ангарская, д. 10

**ДОПОЛНИТЕЛЬНАЯ ИНФОРМАЦИЯ** Сертификат системы менеджмента качества ISO 9001:2008 №973/ICAR от 29.05.2009 г., выданный ОС "EMQ"  
Система сертификации З.

**Руководитель органа** **Бонкури Иван**  
**Эксперт** **М.А. Александров**

Сертификат не применяется при обязательной сертификации

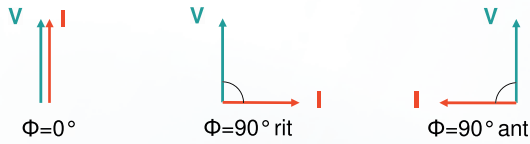
# Summary

|            |                              |    |
|------------|------------------------------|----|
| CHAPTER 1  | Introductory Notes           | 1  |
| CHAPTER 2  | CRTE Power capacitors        | 7  |
| CHAPTER 3  | Harmonic Blocking Reactors   | 23 |
| CHAPTER 4  | Reactive Power Regulators    | 33 |
| CHAPTER 5  | Thyristor Switches           | 38 |
| CHAPTER 6  | Fast Discharge device RPD 3A | 41 |
| CHAPTER 7  | EUORack TRAYS                | 43 |
| DIMENSIONS |                              | 57 |

# Introductory Notes

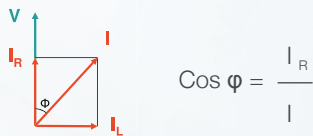
## Power factor correction: why?

In electrical circuits the current is in phase with the voltage whenever are in presence of resistors, whereas the current is lagging if the load is inductive (motors, transformers with no load conditions), and leading if the load is capacitive (capacitors).



## The total absorbed current, for example, by a motor is determined by vector addition of:

1.  $I_R$  resistive current;
2.  $I_L$  inductive reactive current;



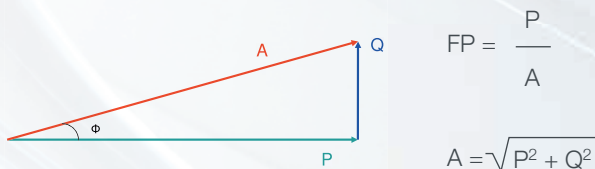
## These currents are related to the following powers:

1. active power linked to  $I_R$ ;
2. reactive power linked to  $I_L$ ;

The reactive power doesn't produce mechanical work and it is an additional load for the energy supplier.

The parameter that defines the consumption of reactive power is the power factor.

We define power factor the ratio between active power and apparent power:



As for as there are not harmonic currents power factor coincide to  $\cos\phi$  of the angle between current and voltage vectors.  $\cos\phi$  decreases as the reactive absorbed power increases.

## Low $\cos\phi$ , has the following disadvantages:

1. High power losses in the electrical lines
2. High voltage variation in the electrical lines
3. Over sizing of generators, electric lines and transformers.

From this we understand the importance to improve (increase) the power factor. Capacitors need to obtain this result.

## Power factor correction: how?

By installing a capacitor bank it is possible to reduce the reactive power absorbed by the inductive loads in the system and consequently to improve power factor.

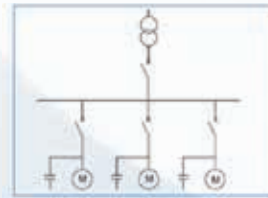
It is suitable to have  $\cos\phi$  a little in excess of 0.9 to avoid paying the penalties provided for by the law.  $\cos\phi$  must not be too close to unity, to avoid the leading currents in of the electrical system.

The choice of the correct power factor correction equipment depends on the type of loads present and by their way of working.

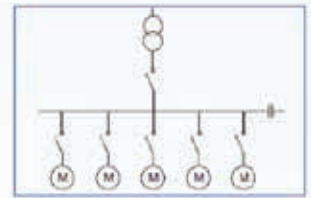
The choice is between CENTRAL COMPENSATION and INDIVIDUAL COMPENSATION.

Individual compensation: power factor correction is wired at each single load (i.e. motor terminals)

Central compensation: there is only one bank of capacitors on the main power distribution switch board or substation.



Individual Compensation



Central Compensation

The individual compensation is a simple technical solution: the capacitor and the user equipment follow the same sorts during the daily work, so the regulation of the  $\cos\phi$  becomes systematic and closely linked to the load.

Another great advantage of this type of power factor correction is the simple installation with low costs.

The daily trend of the loads has a fundamental importance for the choice of most suitable power factor correction.

In many systems, not all the loads work in the same time and some of them work only a few hours per day.

It is clear that the solution of the individual compensation becomes too expensive for the high number of capacitors that have to be installed. Most of these capacitors will not be used for long period of time.

The individual compensation is more effective if the majority of the reactive power is concentrated on a few substations loads that work long period of time.

Central compensation is best suited for systems where the load fluctuates throughout the day.

If the absorption of reactive power is very variable, it is advisable the use of automatic regulation in preference to fixed capacitors.

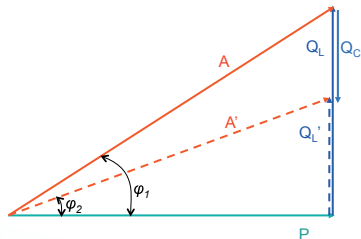
## Power factor correction: How many capacitors?

The choice of capacitor bank to install in a system is closely depended from:

- $\cos\phi_2$  value that we would obtain
- $\cos\phi_1$  starting value
- installed active power.

By the following equation:

$$Q_c = P * (\tan\phi_1 - \tan\phi_2)$$



$Q_c$  = Required Capacitors Reactive Output [kvar];

$P$  = Active Power [kW];

$Q_L, Q'_L$  = Inductive Reactive Output before and after the installation of the capacitor bank;

$A, A'$  = apparent power before and after the power factor correction [kVA].

As example if we have installed a load that absorbs an active power of 300 kW having a power factor 0.7 and we want to increase it until 0.92.

From the table 1 we find:  $k = 0,692$

Which means:  $Q_c = 0,692 * 300 = 207,6$  kvar

Can be also written  $Q_c = k * P$

| Starting power factor | Final power factor |       |       |       |       |       |
|-----------------------|--------------------|-------|-------|-------|-------|-------|
|                       | 0,9                | 0,91  | 0,92  | 0,93  | 0,94  | 0,95  |
| 0,40                  | 1,807              | 1,836 | 1,865 | 1,896 | 1,928 | 1,963 |
| 0,41                  | 1,740              | 1,769 | 1,799 | 1,829 | 1,862 | 1,896 |
| 0,42                  | 1,676              | 1,705 | 1,735 | 1,766 | 1,798 | 1,832 |
| 0,43                  | 1,615              | 1,644 | 1,674 | 1,704 | 1,737 | 1,771 |
| 0,44                  | 1,557              | 1,585 | 1,615 | 1,646 | 1,678 | 1,712 |
| 0,45                  | 1,500              | 1,529 | 1,559 | 1,589 | 1,622 | 1,656 |
| 0,46                  | 1,446              | 1,475 | 1,504 | 1,535 | 1,567 | 1,602 |
| 0,47                  | 1,394              | 1,422 | 1,452 | 1,483 | 1,515 | 1,549 |
| 0,48                  | 1,343              | 1,372 | 1,402 | 1,432 | 1,465 | 1,499 |
| 0,49                  | 1,295              | 1,323 | 1,353 | 1,384 | 1,416 | 1,450 |
| 0,50                  | 1,248              | 1,276 | 1,306 | 1,337 | 1,369 | 1,403 |
| 0,51                  | 1,202              | 1,231 | 1,261 | 1,291 | 1,324 | 1,358 |
| 0,52                  | 1,158              | 1,187 | 1,217 | 1,247 | 1,280 | 1,314 |
| 0,53                  | 1,116              | 1,144 | 1,174 | 1,205 | 1,237 | 1,271 |
| 0,54                  | 1,074              | 1,103 | 1,133 | 1,163 | 1,196 | 1,230 |
| 0,55                  | 1,034              | 1,063 | 1,092 | 1,123 | 1,156 | 1,190 |
| 0,56                  | 0,995              | 1,024 | 1,053 | 1,084 | 1,116 | 1,151 |
| 0,57                  | 0,957              | 0,986 | 1,015 | 1,046 | 1,079 | 1,113 |
| 0,58                  | 0,920              | 0,949 | 0,979 | 1,009 | 1,042 | 1,076 |
| 0,59                  | 0,884              | 0,913 | 0,942 | 0,973 | 1,006 | 1,040 |
| 0,60                  | 0,849              | 0,878 | 0,907 | 0,938 | 0,970 | 1,005 |
| 0,61                  | 0,815              | 0,843 | 0,873 | 0,904 | 0,936 | 0,970 |
| 0,62                  | 0,781              | 0,810 | 0,839 | 0,870 | 0,903 | 0,937 |
| 0,63                  | 0,748              | 0,777 | 0,807 | 0,837 | 0,870 | 0,904 |
| 0,64                  | 0,716              | 0,745 | 0,775 | 0,805 | 0,838 | 0,872 |
| 0,65                  | 0,685              | 0,714 | 0,743 | 0,774 | 0,806 | 0,840 |
| 0,66                  | 0,654              | 0,683 | 0,712 | 0,743 | 0,775 | 0,810 |
| 0,67                  | 0,624              | 0,652 | 0,682 | 0,713 | 0,745 | 0,779 |
| 0,68                  | 0,594              | 0,623 | 0,652 | 0,683 | 0,715 | 0,750 |
| 0,69                  | 0,565              | 0,593 | 0,623 | 0,654 | 0,686 | 0,720 |
| 0,70                  | 0,536              | 0,565 | 0,594 | 0,625 | 0,657 | 0,692 |
| 0,71                  | 0,508              | 0,536 | 0,566 | 0,597 | 0,629 | 0,663 |
| 0,72                  | 0,480              | 0,508 | 0,538 | 0,569 | 0,601 | 0,635 |
| 0,73                  | 0,452              | 0,481 | 0,510 | 0,541 | 0,573 | 0,608 |
| 0,74                  | 0,425              | 0,453 | 0,483 | 0,514 | 0,546 | 0,580 |
| 0,75                  | 0,398              | 0,426 | 0,456 | 0,487 | 0,519 | 0,553 |
| 0,76                  | 0,371              | 0,400 | 0,429 | 0,460 | 0,492 | 0,526 |
| 0,77                  | 0,344              | 0,373 | 0,403 | 0,433 | 0,466 | 0,500 |
| 0,78                  | 0,318              | 0,347 | 0,376 | 0,407 | 0,439 | 0,474 |
| 0,79                  | 0,292              | 0,320 | 0,350 | 0,381 | 0,413 | 0,447 |
| 0,80                  | 0,266              | 0,294 | 0,324 | 0,355 | 0,387 | 0,421 |
| 0,81                  | 0,240              | 0,268 | 0,298 | 0,329 | 0,361 | 0,395 |
| 0,82                  | 0,214              | 0,242 | 0,272 | 0,303 | 0,335 | 0,369 |
| 0,83                  | 0,188              | 0,216 | 0,246 | 0,277 | 0,309 | 0,343 |
| 0,84                  | 0,162              | 0,190 | 0,220 | 0,251 | 0,283 | 0,317 |
| 0,85                  | 0,135              | 0,164 | 0,194 | 0,225 | 0,257 | 0,291 |
| 0,86                  | 0,109              | 0,138 | 0,167 | 0,198 | 0,230 | 0,265 |
| 0,87                  | 0,082              | 0,111 | 0,141 | 0,172 | 0,204 | 0,238 |

Table 1  
See the full table in Appendix

A typical example of power factor correction, sometimes not much considered but surely important, concerns the power factor correction of transformers for the distribution of energy. It is essentially a fixed power factor correction that must compensate for the reactive power absorbed by the transformer in its no load condition (this happens often during the night). The calculation of the needed reactive output is very easy and it bases itself on this equation:

$$Q_c = I_0\% * \frac{A_N}{100}$$

where

$I_0\%$  = magnetising current of the transformer

$A_N$  = Apparent rated power in kVA of the transformer

If we don't have these parameters, it is convenient to use the following table.

| Power transformer KVA | Oil transformer kvar | Resin transformer kvar |
|-----------------------|----------------------|------------------------|
| 10                    | 1                    | 1,5                    |
| 20                    | 2                    | 1,7                    |
| 50                    | 4                    | 2                      |
| 75                    | 5                    | 2,5                    |
| 100                   | 5                    | 2,5                    |
| 160                   | 7                    | 4                      |
| 200                   | 7,5                  | 5                      |
| 250                   | 8                    | 7,5                    |
| 315                   | 10                   | 7,5                    |
| 400                   | 12,5                 | 8                      |
| 500                   | 15                   | 10                     |
| 630                   | 17,5                 | 12,5                   |
| 800                   | 20                   | 15                     |
| 1000                  | 25                   | 17,5                   |
| 1250                  | 30                   | 20                     |
| 1600                  | 35                   | 22                     |
| 2000                  | 40                   | 25                     |
| 2500                  | 50                   | 35                     |
| 3150                  | 60                   | 50                     |

Table 2

Another very important example of power factor correction concerns asynchronous three-phase motors that are individually corrected. The reactive power likely needed is reported on table 3:

| Motor power |      | Required Reactive Power (kvar) |          |          |         |         |
|-------------|------|--------------------------------|----------|----------|---------|---------|
| HP          | kW   | 3000 rpm                       | 1500 rpm | 1000 rpm | 750 rpm | 500 rpm |
| 0,4         | 0,55 | -                              | -        | 0,5      | 0,5     | -       |
| 1           | 0,73 | 0,5                            | 0,5      | 0,6      | 0,6     | -       |
| 2           | 1,47 | 0,8                            | 0,8      | 1        | 1       | -       |
| 3           | 2,21 | 1                              | 1        | 1,2      | 1,6     | -       |
| 5           | 3,68 | 1,6                            | 1,6      | 2        | 2,5     | -       |
| 7           | 5,15 | 2                              | 2        | 2,5      | 3       | -       |
| 10          | 7,36 | 3                              | 3        | 4        | 4       | 5       |
| 15          | 11   | 4                              | 5        | 5        | 6       | 6       |
| 30          | 22,1 | 10                             | 10       | 10       | 12      | 15      |
| 50          | 36,8 | 15                             | 20       | 20       | 25      | 25      |
| 100         | 73,6 | 25                             | 30       | 30       | 30      | 40      |
| 150         | 110  | 30                             | 40       | 40       | 50      | 60      |
| 200         | 147  | 40                             | 50       | 50       | 60      | 70      |
| 250         | 184  | 50                             | 60       | 60       | 70      | 80      |

Table 3

Be careful: the capacitor output must not be dimensioned too high for individual compensated machines where the capacitor is directly connected with the motor terminals. The capacitor placed in parallel may act as a generator for the motor which will cause serious overvoltages (self-excitation phenomena). In case of wound rotor motor the reactive power of the capacitor bank must be increased by 5%.

## Power factor correction: technical reasons

Recent energy market deregulation, along with new potential energy supplier rising, had lead to many and different type of invoicing which are not very clear in showing Power Factor up.

However as energy final price is steady growing, to correct power factor is becoming more and more convenient.

In most of the cases power factor improvement device prime cost is paid back in few months.

Technical-economical advantages of the installation of a capacitor bank are the following:

- decrease of the losses in the network and on the transformers caused by the lower absorbed current
- decrease of voltage drops on lines
- optimisation of the system sizing.

The current I, that flows in the system, is calculated by:

$$I = \frac{P}{\sqrt{3} * V * \cos\phi}$$

where

P= Active power

V= Nominal Voltage

While  $\cos\phi$  increases, with the same absorbed power we can obtain a reduction in the value of the current and as a consequence the losses in the network and on the transformers are reduced. Therefore we have an important saving on the size of electrical equipment used on a system. The best system sizing has some consequence on the line voltage drop. We can easily see that looking at the following formula:

$$\Delta V = R * \frac{P}{V} + X * \frac{Q}{V}$$

where

P= active power on the network (kW)

Q= reactive power on the network (kvar)

while R is the cable resistance and X its reactance ( $R \ll X$ ). The capacitor bank installation reduces Q so we have a lower voltage drop. If, for a wrong calculation of the installed capacitor bank value, the reactive part of the above equation becomes negative, instead of a reduction of the voltage drop we have an increasing of the voltage at the end of the line (Ferranti Effect) with dangerous consequence for the installed loads.

Some examples clarify the concepts set out above:

1. Power loss (kW), in function of  $\cos\phi$ , from a copper cable 3 x 25mm<sup>2</sup> 100m long carrying 40kW at 400Vac.
2. Supplied active power (kW) by a transformer 100kVA, in function of  $\cos\phi$

| $\cos\phi$ | 1)  | 2)  |
|------------|-----|-----|
| 0,5        | 3,2 | 50  |
| 0,6        | 2,3 | 60  |
| 0,7        | 1,6 | 70  |
| 0,8        | 1,3 | 80  |
| 0,9        | 1   | 90  |
| 1          |     | 100 |

As we can see as the power factor increases we have fewer losses in the network and more active power from the same KVA.

This allows us to optimise on the system sizing.

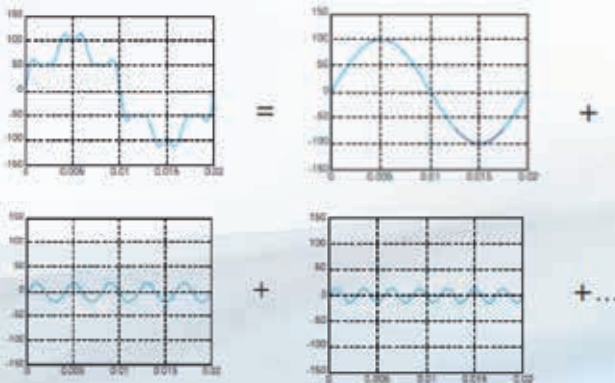


## Power factor correction: Harmonics in the network

The distortions of the voltage and current waveforms are generated by non-linear loads (inverter, saturated transformers, rectifier, etc.) and produce the following problems:

- On the A.C. motors we find mechanical vibration that can reduce expected life. The increase of the losses creates overheating with consequent damaging of the insulating materials;
- In transformers they increase the copper and iron losses with possible damaging of the windings. The presence of direct voltage or current could cause the saturation of the cores with consequent increasing of the magnetising current;
- The capacitors suffer from the overheating and the increasing of the voltage that reduce their life.

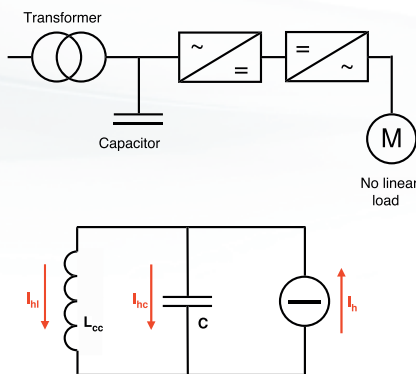
The waveform of the current (or voltage) generated by a non-linear load (fig. 1), being periodical, could be represented by the sum of many sinusoidal waves (a 50Hz component called fundamental and other components with multiple frequency of the fundamental component so called HARMONICS).



$$I = I_1 + I_2 + I_3 + I_4 + \dots + I_n$$

It is not advisable to install the power factor correction without considering the harmonic content of a system. This is because, even if we could manufacture capacitors that can withstand high overloads, capacitors produce an increase of harmonic content, with the negative effects just seen. We speak about resonance phenomena when an inductive reactance is equal to the capacitive one:

$$2\pi f L = \frac{1}{2\pi f C}$$



Ideal current generator represents motor as harmonic current components generator, these are independent from circuit inductance, while  $L_{CC}$  is obtainable by capacitor upstream short circuit power (in general it is equal to transformer short-circuit inductance) the resonance frequency is obtained as follows:

$$N = \sqrt{\frac{S_{cc}}{Q}} \cong \sqrt{\frac{A * 100}{Q * v_{cc}\%}}$$

$S_{cc}$  = Short-circuit power of the network (MVA)

$Q$  = Output of power factor correction bank (kvar)

$A$  = Rated power transformer (kVA)

$v_{cc}\%$  = Short-circuit voltage %

$N$  = Resonance harmonic order

In parallel resonance conditions the current and the voltage of the circuit  $L_{CC} - C$  are heavily amplified as well as the nearby harmonic currents. Hereinafter an example:

$A = 630\text{kVA}$  (rated power transformer)

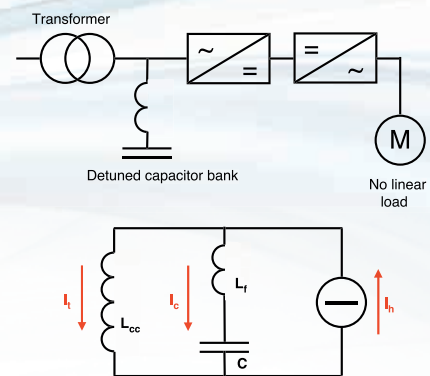
$V_{cc}\% = 6$  (short-circuit voltage %)

$Q = 300\text{kvar}$  (output of power factor correction bank)

$$N = \sqrt{\frac{A * 100}{Q * v_{cc}\%}} = \sqrt{\frac{630 * 100}{300 * 6}} \cong 6$$

The result shows that in these conditions the system transformer-capacitor bank has the parallel resonance frequency of 300Hz ( $N \times 50\text{Hz}$ ). This means likely amplification of 5<sup>th</sup> and 7<sup>th</sup> harmonic current.

The most convenient solution to avoid this is the detuned filter, formed introducing a filter reactor in series with the capacitors, making this a more complex resonant circuit but with the desired feature of having a resonance frequency below the first existing harmonic.



With this type of solution, the parallel resonance frequency is modified from

$$f_{rp} = \frac{1}{2 * \pi * \sqrt{L_{cc} * C}}$$

to

$$f_{rp} = \frac{1}{2 * \pi * \sqrt{(L_{cc} + L_t) * C}}$$

Normally the resonance frequency between the capacitor and the series reactance is shifted lower than 250Hz and it is generally between 135Hz and 210Hz.

The lower frequencies correspond to higher harmonic loads. The installation of a reactance in series with the capacitor bank produces a series resonance frequency:

$$f_{rs} = \frac{1}{2 * \pi * \sqrt{L_f * C}}$$

If a harmonic current  $I_h$  with the same frequency of the resonance in series exists, this one will be totally absorbed by the system capacitors - reactors without any effect on the network. The realisation of a **tuned passive filter** is based on this simple principle. This application is required when we want the reduction of the total distortion in current (THD) on the system:

$$THD = \frac{\sqrt{I_3^2 + I_5^2 + I_7^2 + \dots + I_n^2}}{I_1}$$

$I_1$  = Component at the fundamental frequency (50Hz) of the total harmonic current

$I_3, I_5, \dots$  = Harmonic components at the multiple frequency of the fundamental (150Hz, 250Hz, 350Hz, ...)

The dimensioning of tuned/passive filters is linked to the circuit parameter:

- impedance of the network (attenuation effect less as the short-circuit power on the network increases: in some cases could be useful to add in series with the network a reactance to increase the filtering effect);
- presence of further loads that generate harmonics linked to other nodes on the network
- capacitor types;

On this last point we have to make some considerations. It is known that the capacitors tend to decrease capacity over time: varying the capacity inevitably varies the resonance series frequency

$$f_{rs} = \frac{1}{2 * \pi * \sqrt{L_f * C}}$$

and this drawback can be very dangerous because the system could lead in parallel resonance conditions. In this case, the filter does not absorb more harmonics but even amplifies them.

In order to have a constant capacity guarantee over time we need to use another type of capacitors made in bimetalized paper and oil impregnated polypropylene. In addition to the passive absorption filter realized with capacitors and inductances is possible to eliminate the network harmonics, with another type of absorption filter: the Active Filter.

The operation principle is based on the in-line injection of the same current harmonics produced by non-linear loads, but out of phase.

## Selection criteria depending on the type of plant (for EUROrack trays)

The choice of power factor correction equipment must be made by evaluating the design data of the system or, better yet, your electricity bills.

The choice of the power factor correction type must be carried out according to the following table, which shows on the ordinate the rate of harmonic distortion of the plant current (THDI<sub>R</sub>%) and in abscissa the ratio between the reactive power Q<sub>C</sub> (in kvar) of the PFC bank and LV/MV transformer apparent power (kVA).

In light of these data, it identifies the box with proposed families, starting from the family that ensures the proper functioning with the best quality/price ratio.

So you choose the power factor corrector series.

The table was made starting from the following assumptions:

- Network voltage 400V
- Initial power factor of the plant 0.7 inductive
- Power factor target 0.95 inductive
- Non linear load with 5°-7°-11°-13° harmonics current

The hypotheses used are general and valid in the most of cases. In particular situations (harmonics coming from other branch of network, presence of rank equal to or a multiple of 3<sup>rd</sup> harmonics) previous considerations may be invalid.

In these cases, the guarantee of a correct choice of the equipment occurs only as a result of a measurement campaign of harmonic analysis of the network and/or the appropriate calculations.

ICAR disclaims any responsibility for incorrect choice of the product.

## Automatic PFC systems selection guidelines

|                            |   |  |  |  |  |  |   |
|----------------------------|---|--|--|--|--|--|---|
| <b>THDIR% &gt; 27</b>      | HP10/HP20                                   | FH20/FH30  | FH20/FH30  | FH20/FH30  | FH20/FH30  | FH20/FH30  | FH20/FH30                                     |
| <b>20 &lt; THDIR% ≤ 27</b> | HP10/HP20                                   | FH20/FH30  | FH20/FH30  | HP20/HP30  | HP30/TC20  | FH20/FH30  | FH20/FH30                                     |
| <b>12 &lt; THDIR% ≤ 20</b> | HP10/HP20                                   | FH20/FH30  | FH20/FH30  | HP20/HP30  | HP20/HP30  | FH20/FH30  | FH20/FH30                                     |
| <b>THDIR% ≤ 12</b>         | HP10/HP20                                   | HP20/HP30  | HP30/TC20  | HP10/HP20  | HP20/HP30  | HP30/TC20  | FH20/FH30                                     |
|                            | <b>Q<sub>C</sub> / A<sub>T</sub> ≤ 0,05</b> | <b>0,05 &lt; Q<sub>C</sub> / A<sub>T</sub> ≤ 0,1</b> | <b>0,1 &lt; Q<sub>C</sub> / A<sub>T</sub> ≤ 0,15</b> | <b>0,15 &lt; Q<sub>C</sub> / A<sub>T</sub> ≤ 0,2</b> | <b>0,2 &lt; Q<sub>C</sub> / A<sub>T</sub> ≤ 0,25</b> | <b>0,25 &lt; Q<sub>C</sub> / A<sub>T</sub> ≤ 0,3</b> | <b>Q<sub>C</sub> / A<sub>T</sub> &gt; 0,3</b> |

## Application Example

For example, consider a MV connected system through a LV/MV 1000kVA transformer, and with a THDI<sub>R</sub>% equal to 25%. Assuming that the power factor correction system to be installed has a reactive power of 220kvar, the ratio QC/AT is equal to 0.22. The recommended power factor correction is therefore that in the box identified from the abscissa 0.2 < QC / AT ≤ 0.25 and the ordinate 20 < THDI<sub>R</sub> ≤ 27%.

You can choose an HP30 family device, or for even greater reliability of the solution, choose the FH20 family.

# CRTE Power Capacitors



In its power factor correction systems, ICAR uses only capacitors entirely made within the facilities of its group. This way, ICAR guarantees the highest quality of the finished product.

The film used in the CRTE power capacitors comes directly from the ICAR experience in the high performance capacitors, in particular it is defined as “High density metalized polypropylene film”.

## High density metalized polypropylene film capacitors

The main difference in comparison to standard polypropylene capacitors is the way in which the dielectric film is metalized.

In standard polypropylene capacitors the thickness of the metal layer deposited on the film surface is constant; in 1995, instead, ICAR has developed a manufacturing process that enables obtaining a metal layer with properly modulated thickness and achieving extraordinary results in the capacitors field for direct current and energy accumulation applications.

Subsequently this technology has been extended to capacitors for alternating current applications, with same remarkable results in power factor correction of industrial facilities.

The modulation of the metallization thickness, considerably betters capacitors performances (and therefore those of the power factor corrector systems of which they are the basic component) in terms of:

- increased specific power (kvar/dm<sup>3</sup>) with resulting reduction of power factor corrector systems dimension;
- improvement of the strengthens to continuous and temporaries overvoltage for a better reliability even in plants with voltage peaks due to the network or manoeuvres on the plant; CRTE capacitors are in fact tested at three times the rated voltage (type test);
- better reaction to the internal short circuit thanks to the special metallization with variable thickness.

## General description

CRTE is the ICAR last generation of metallized polypropylene film capacitors to be used for power factor correction and harmonic filtering in low voltage plants.

The main features are:

- Three phase windings delta connected in a cylindrical aluminum case;
- Rated power from 2,5kvar up to 50kvar;
- Rated voltage from 230V up to 800V;
- Rated frequency 50 / 60 Hz;
- IP20 terminal board;
- Reduced mounting cost thanks terminal lid connections;
- Up to 130.000 hours service life design;
- Dry, environment friendly construction;
- Suitable for any mounting position (vertical preferable for better cooling);
- Indoor installation;
- Made under Quality System in accordance with ISO 9001 standard.

## Applications

- Individual fixed Power Factor Correction for motors, low voltage transformers, etc;
- Low voltage automatic Power Factor Correction Capacitor Banks;
- Low voltage detuned/tuned Capacitor Banks.

## Damping of Inrush Current

Capacitors used for power factor correction have to withstand a lot of switching operations.

The switching of a capacitor in parallel with energized capacitor banks, produces extremely high inrush currents and voltage transients.

The connection of a low voltage power factor correction capacitor without damping to an AC power supply, could lead to a reduced lifetime.

For this reason, capacitors should be protected during the switching operation by means of suitable contactors equipped with damping resistors (AC6b).

## Harmonics

Harmonics are sinusoidal voltages and currents with multiple frequencies of the 50 or 60 Hz line frequency.

In presence of harmonics the resonance phenomena can be avoided by connecting capacitors in series with reactors (detuned filters). Components for detuned filter must be carefully selected (see next chapter). Particular care has to be taken for capacitors because the voltage across them will be higher than the nominal voltage when they have a reactor in series.

## Discharging

Capacitors must be discharged in 3 minutes to 75V or less. There shall be no switch, fuse or any other isolating device between the capacitor unit and the discharging device. ICAR supplies capacitor discharge resistors to all series.

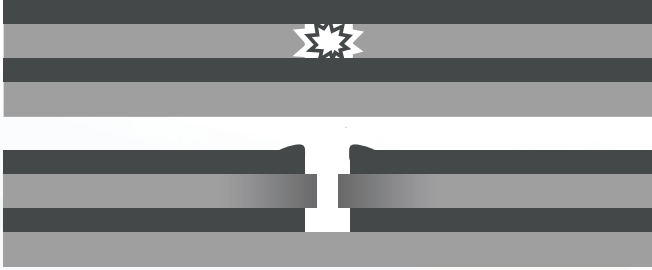
## Safety features

CRTE capacitors are equipped with the most modern and reliable safety features to keep capacitor working in proper conditions and to prevent heavy breakdowns.



### Self-healing metallized polypropylene

This metallized polypropylene feature is widely used in Power Capacitors as a mean to keep capacitors working even when voltage breakdown between the metal layers occurs. In case of arc, the metallized surface around is evaporated but the breakdown is kept in limited area and it does not enlarge its effects.



### Over pressure safety device

In the case or fault, due to over voltage, overload or normal ageing, the self-healing process may accelerate and so to create a increasing pressure within the case. In order to prevent the case from bursting, capacitor is fitted with an over pressure device that set out of service the capacitor from the supply; two of the supply leads have reduced section, and while the pressure increases leads are strained by the top lid till breaking of cables (see figure below).



### Dry technology

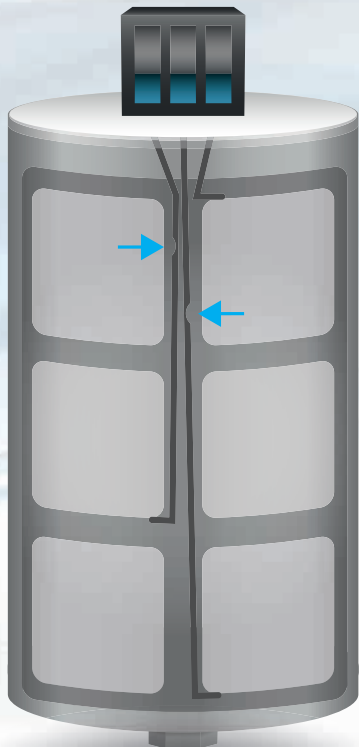
As CRTE capacitor is filled with resin, there is no risk of leaking oil or gas.



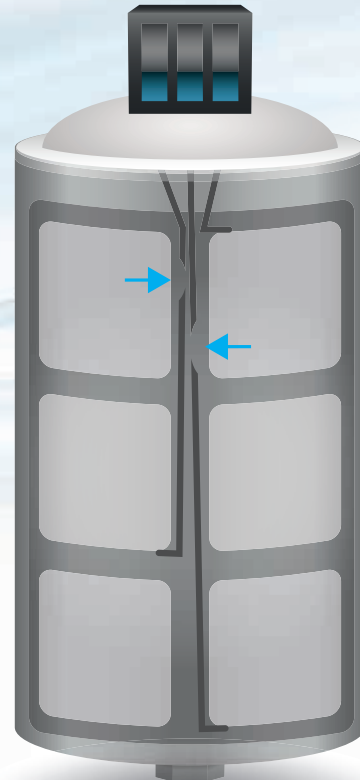
### Touch proof terminals

CRTE is equipped with terminal board of IP20 protection degree (see product tables for specific feature application).

## Overpressure safety device



CAPACITOR IN WORKING  
CONDITIONS



CAPACITOR WITH OPERATED  
MECHANISM

## Inside layout

### Metallized Polypropylene

ICAR has its own manufacturing of base polypropylene and relevant metallization: further it has developed a peculiar process that enables obtaining a metal layer with properly modulated thickness and achieving extraordinary performances in terms of voltage withstand and overall reliability.

The film is then cut and wound on high precision and fully automated winding machines, sprayed with abundant metal contact layer to reduce the contact resistance.

### Wave cut film

CRTE capacitors are also fitted with wave cut film to reduce the stress between the polypropylene film layers and the contact layer. This enable capacitors to withstand higher inrush currents during the switching operations.

### Environmentally friendly filler

Capacitors need filler around capacitive elements in order to protect metal layers from oxidation and to help heat dissipation.

Without this feature capacitors would cope with accelerated self healing and so a shorter service life.

ICAR filler are all PCB free.

## Inside wiring

Power factor correction Capacitors for applications in nominal voltages networks of 600/660/690V (eg. Applications such as mining, highway tunnels and rail cargoes on board ship, port cranes, steel mills, paper mills and other "heavy" applications) can be realized in different ways described as follows.

### Capacitors with star connection

A widely used mode embodiment, but risky, provides a capacitors star connection (fig 1): in this way capacitors are subjected to a voltage equal to the nominal plant divided by  $\sqrt{3}$ .

- Advantages: capacitors are smaller and cheaper, getting more compact and lightweight banks.
- Disadvantages: in case capacitor capacity degradations, the voltage across the capacitors of the star will no longer be balanced, but it will increase on the side with greater capacity degradation, till to reach values higher than the rated voltage of the capacitors themselves. In this situation, the risk of overvoltage with possible consequent capacitors explosion/fire increases dramatically.

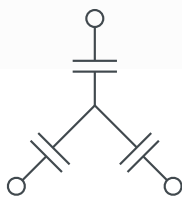


Fig 1: Capacitors star connection

### Delta-connected Capacitors

This solution calls for the use of capacitor elements with a voltage rating at least equal to that of the network, as can be seen in Figure 2.

- Advantages: capacitor is electrically robust. Even in case of loss of capacity of a capacitor element, the others do not suffer any consequences: malfunctions risks and capacitors damages are reset.
- Disadvantages: capacitors bulkier and heavier, with higher costs.

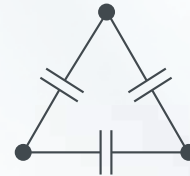


Fig 2: Capacitors delta connection

### The ICAR way

CRTE for working voltages higher than 550V are made with delta connected capacitors, and so they have a nominal voltage equal or higher than the system network working voltage; this is the most sound and reliable solution.

## Installation and maintenance

### Handling and Storage

Capacitors shall have to be handled and stored with care in order to avoid any mechanical damage during transportation. Protection against environmental influences shall also be taken.

### Installation

Capacitors are suitable for indoor installation and for any mounting position ( $Q \leq 30$  kVar). Vertical is preferable for better cooling if  $Q > 30$  kVar.

Capacitors must be installed in such a way that the specified limit temperature is not overcome.

Not being in compliance with the above instructions will result as a reduction of the expected service life.

Installation of capacitors shall have to be performed in such a way that any dangerous resonance phenomena due to harmonics is avoided.

### Automatic power factor correction banks

The switching of a capacitor bank in parallel with energized capacitor(s), produces extremely high inrush currents and voltage transients. For this reason, it is extremely important to wait for the unit discharge before a new switching.

### Assembly

Capacitors shall have to be assembled by means of the threaded M12 bottom stud. The maximum applicable tightening torque is 10Nm.

The catalogue specifies the recommended cross section of the supplying cables.

The recommended tightening torque is 3Nm.

With terminals screw design two antagonist spanners shall be used.

In order to ensure a proper operation of the internal overpressure safety device, an extra minimum 15mm

clearance distance between the upper part of capacitors and assembly enclosures shall have to be provided.

Capacitors shall be placed in such a way that there is an adequate dissipation by convection and radiation of the heat produced by the capacitor losses.

The ventilation of the operating room and the arrangement of the capacitor units shall provide good air circulation around each unit. A minimum 20mm distance between the units has to be maintained.

### Maintenance

Periodical checks and inspections are required to ensure reliable operation of capacitors.

Monitoring and recording of the electrical service parameters are also recommended to become acquainted with progressive capacitors stress conditions.

### Protections

Capacitors shall have to be protected against inrush peak currents during switching operations of automatic banks by means of suitable contactors equipped with pre-making resistors.

## Safety Instructions

### DO NOT MISAPPLY CAPACITORS FOR POWER FACTOR CORRECTION APPLICATIONS

Capacitors according to the Standards, are equipped with a suitable discharge device such as discharge resistors, permanently connected. They are able to reduce the residual voltage so that any dangerous resonance phenomena due to harmonics is avoided.

### Automatic power factor correction banks

DO NOT TOUCH ANY CAPACITOR TERMINAL IF NOT SHORT CIRCUITED AND EARTHED IN ADVANCE To prevent damage to people and goods due to improper usage and/or application of capacitors, the "RECOMMENDATION FOR THE SAFE USE OF STATIC CAPACITORS, BANKS AND EQUIPMENT FOR POWERFACTOR CORRECTION" published by ANIE shall have to be strictly respected.

ICAR is not responsible for any kind of possible damages occurred to people or things, derived from the improper installation and application of Power Factor Correction capacitors.

### Most common misapplication forms

- Current, voltage, harmonics and frequency above specification;
- Working or storage temperature beyond the specified limits;
- Unusual service conditions as mechanical shock and vibrations, corrosive or abrasive conductive parts in cooling air, oil or water vapour or corrosive substances, explosive gas or dust, radioactivity, excessive and fast variations of ambient conditions, service areas higher than 2000 m above sea level...

In case of doubt in choice or in performances of the capacitors ICAR technical service MUST be contacted.

## Personal Safety

Electrical or mechanical misapplications of CRTE capacitors may become hazardous. Personal injury or property damage may result from disruption of the capacitor and consequent expulsion of melted material. Before using the capacitors in any application, please read carefully the technical information contained in this catalogue.

The energy stored in a capacitor may become lethal. The capacitor should be short circuited and earthed before handling to prevent any chance of shock.

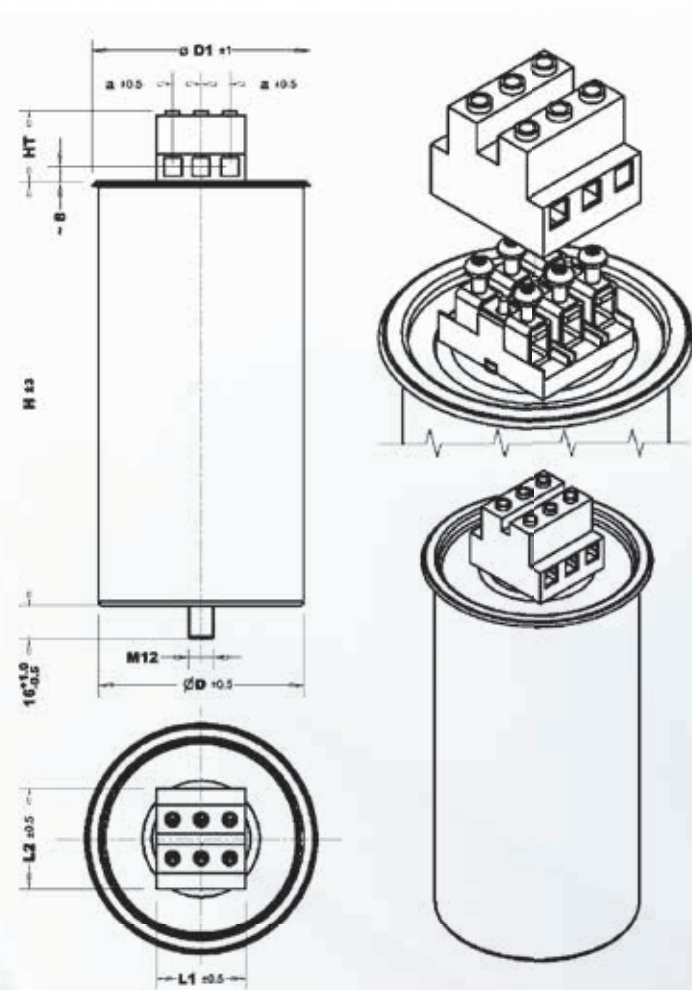
Special attention must be taken to make sure the capacitors are correctly used for each application and that warnings and instructions are strictly followed.

Capacitors are made with polypropylene that is a flammable material.

The risk of fire cannot be totally eliminated; therefore suitable precautions shall be taken. Reliability data have a statistical value (i.e. based on a large number of components), it is not possible to transfer automatically data from a limited quantity or even to a batch of capacitors.

This applies in particular to consequential damage caused by component failure.

## Dimensions and connecting cable cross section



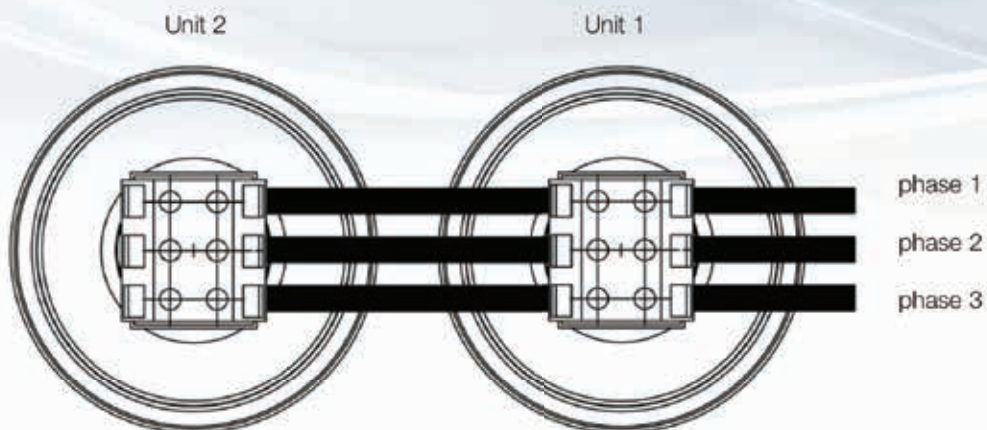
- Aluminium finishing: black painted for diameter ØD 100, ØD 116, ØD 136. naked for diameter ØD 75, ØD 85
- Terminals: 25mm<sup>2</sup> for ØD 85, ØD 100, ØD 116, ØD 136  
16mm<sup>2</sup> for ØD 75
- Maximum continuative terminal current:  
25mm<sup>2</sup> 60Arms  
16mm<sup>2</sup> 35Arms
- Degree of protection: IP20
- Creepage 19mm
- Clearance 19mm
- Humidity class: F. Max relative humidity 75% annual on average, 95% 30 days per year, condensation not permitted.

| ØD1         | L1  | L2   | HT   | a     |    |
|-------------|-----|------|------|-------|----|
| ØD 75.....  | 81  | 39,0 | 45,0 | 32±1  | 13 |
| ØD 85.....  | 91  | 43,5 | 49,0 | 35±1  | 14 |
| ØD 100..... | 106 | 43,5 | 49,0 | 35Max | 14 |
| ØD 116..... | 122 | 43,5 | 49,0 | 35Max | 14 |
| ØD 136..... | 142 | 43,5 | 49,0 | 35Max | 14 |

Max case elongation in case of over pressure disconnector activated < 12,7 mm. Below table is a guidelines for operation in normal conditions at ambient temperature up to 40°C (or 55°C capacitor surrounding air). Various parameter such us harmonics, temperature inside the cabinet, cable length have to be considered for proper selection.

| Rated voltage 415V, 50 Hz | RATED POWER<br>Qn [kvar] | In [A] | CROSS SECTION<br>mm <sup>2</sup> Cu |
|---------------------------|--------------------------|--------|-------------------------------------|
|                           | 2,5                      | 3,5    | 2,5                                 |
| 5                         | 7                        | 2,5    |                                     |
| 7,5                       | 10,5                     | 2,5    |                                     |
| 10                        | 13,9                     | 4      |                                     |
| 12,5                      | 17,4                     | 4      |                                     |
| 15                        | 20,9                     | 6      |                                     |
| 20                        | 27,8                     | 10     |                                     |
| 25                        | 34,8                     | 16     |                                     |
| 40                        | 55,6                     | 25     |                                     |

## Limits for parallel of crte capacitors



**The maximum number of parallel connected units** should not have a total output higher than 40kvar.

The cross section of cables in the Unit 1 (phase 1, 2, 3) have to be selected considering the total amount of the Unit 1 and Unit 2 output. **Leave enough space** to allow longitudinal expansion of the can for proper operation of the internal over pressure safety device (15 mm).

A minimum space of 20 mm between capacitors is necessary to ensure **proper cooling**.



# CRT-E 230V - 50Hz



| TECHNICAL CHARACTERISTICS       |  |
|---------------------------------|--|
| Dielectric                      | polypropylene metallized film  |
| Winding connection              | delta  |
| Safety device                   | Internal overpressure disconnector   |
| Capacitance tolerance           | -5%, +10%  |
| Rated Voltage                   | 230V   |
| Rated Frequency                 | 50 Hz  |
| Over voltages                   | According to IEC<br>Un + 10% (up to 8 hours daily)<br>Un + 15% (up to 30 minutes daily)<br>Un + 20% (up to 5 minutes daily)<br>Un + 30% (up to 1 minute daily) |
| Over current (not continuative) | 2 In (including harmonics)   |
| Maximum inrush current          | 200 In   |
| Insulation level                | 3 / 15 kV  |
| Voltage test between terminals  | 2,15 Un, 50Hz, 10 seconds (routine test)   |
| Voltage test between terminals  | 3,00 Un, 50Hz, 60 seconds (type test)  |
| Voltage test terminals/case     | 3000V, 50Hz, 10 seconds  |
| Dielectric losses               | < 0.2 W/kvar   |
| Temperature class               | -25/D  |
| Cooling                         | Natural air or forced ventilation  |
| Permissible humidity            | 95%  |
| Service life                    | 130.000 operating hours<br>(hot spot 50°C)   |
| Service life                    | 100.000 operating hours<br>(hot spot 55°C)   |
| Altitude above sea level        | 2000 m   |
| Impregnation                    | resin filled, PCB free   |
| Terminals                       | Terminal board / screws (D ≤ 65mm)   |
| Fixing and Ground               | Threaded M12 stud on case bottom   |
| Mounting position               | vertical preferable for better cooling   |
| Protection degree               | IP20 (only D ≥ 85mm)   |
| Installation                    | Indoor   |
| Discharge resistors             | Included   |
| Discharge time                  | < 3 minutes to 75V or less   |
| Applicable standards            | IEC 60831-1/2  |

Vn = 230V - 50Hz  

| PART NUMBER     | MODEL              | Q<br>POWER<br>(KVar) | C<br>Capacity<br>(µF) | In<br>Current<br>(A) | D<br>Diameter<br>(mm) | H<br>Heigh<br>(mm) | Weight<br>(Kg) | Pcs/box | Box<br>dimensions | Discharge<br>resistor |
|-----------------|--------------------|----------------------|-----------------------|----------------------|-----------------------|--------------------|----------------|---------|-------------------|-----------------------|
| CRT233100156V00 | CRT-56V-1-230 **   | 1                    | 3 x 20                | 3 x 2,5              | 55                    | 165                | 0,5            | 30      | 370x370x245       | Internal              |
| CRT233150156V00 | CRT-56V-1,5-230 ** | 1,5                  | 3 x 30,1              | 3 x 3,8              | 55                    | 165                | 0,5            | 30      | 370x370x245       | Internal              |
| CRT233200166V00 | CRT-66V-2-230 **   | 2                    | 3 x 40,1              | 3 x 5                | 65                    | 205                | 0,7            | 6       | 370x370x106       | Internal              |
| CRT233250166V00 | CRT-66V-2,5-230 ** | 2,5                  | 3 x 50,1              | 3 x 6,3              | 65                    | 205                | 0,7            | 6       | 370x370x106       | Internal              |
| CRE501233M50322 | CRTE08520805023    | 5                    | 3 x 100               | 3 x 12,6             | 85                    | 208                | 1,6            | 4       | 370x370x106       | External              |
| CRE751233M50323 | CRTE10020807523    | 7,5                  | 3 x 150               | 3 x 18,9             | 100                   | 208                | 2              | 3       | 370x370x106       | External              |
| CRE102233M50315 | CRTE10020810023    | 10                   | 3 x 200               | 3 x 25,2             | 100                   | 208                | 2              | 3       | 370x370x106       | External              |
| CRE1D2233M50324 | CRTE11620812523    | 12,5                 | 3 x 250               | 3 x 31,5             | 116                   | 208                | 2,6            | 3       | 370x370x125       | External              |
| CRE152233M50325 | CRTE13620815023    | 15                   | 3 x 300               | 3 x 37,6             | 136                   | 208                | 3,2            | 2       | 370x370x161       | External              |

\* File number E99479

\*\* Not UL approved

# CRT-E 400/415V - 50Hz



| TECHNICAL CHARACTERISTICS       |  |
|---------------------------------|--|
| Dielectric                      | polypropylene metallized film  |
| Winding connection              | delta  |
| Safety device                   | Internal overpressure disconnecter   |
| Capacitance tolerance           | -5%, +10%  |
| Rated Voltage                   | 400V/415V  |
| Rated Frequency                 | 50 Hz  |
| Over voltages                   | According to IEC<br>Un + 10% (up to 8 hours daily)<br>Un + 15% (up to 30 minutes daily)<br>Un + 20% (up to 5 minutes daily)<br>Un + 30% (up to 1 minute daily) |
| Over current (not continuative) | 2 In (including harmonics)   |
| Maximum inrush current          | 200 In   |
| Insulation level                | 3 / 15 kV  |
| Voltage test between terminals  | 2,15 Un, 50Hz, 10 seconds (routine test)   |
| Voltage test between terminals  | 3,00 Un, 50Hz, 60 seconds (type test)  |
| Voltage test terminals/case     | 3000V, 50Hz, 10 seconds  |
| Dielectric losses               | < 0.2 W/kvar   |
| Temperature class               | -25/D  |
| Cooling                         | Natural air or forced ventilation  |
| Permissible humidity            | 95%  |
| Service life                    | 130.000 operating hours<br>(hot spot 50°C)   |
| Service life                    | 100.000 operating hours<br>(hot spot 55°C)   |
| Altitude above sea level        | 2000 m   |
| Impregnation                    | resin filled, PCB free   |
| Terminals                       | Terminal board / screws (D ≤ 65mm)   |
| Fixing and Ground               | Threaded M12 stud on case bottom   |
| Mounting position               | vertical preferable for better cooling   |
| Protection degree               | IP20 (only D ≥ 85mm)   |
| Installation                    | Indoor   |
| Discharge resistors             | Included   |
| Discharge time                  | < 3 minutes to 75V or less   |
| Applicable standards            | IEC 60831-1/2  |

Vn = 400V (415V) - 50Hz 

| PART NUMBER     | MODEL              | Q<br>POWER<br>(KVar) | C<br>Capacity<br>(µF) | In<br>Current<br>(A) | D<br>Diameter<br>(mm) | H<br>Heigh<br>(mm) | Weight<br>(Kg) | Pcs/box | Box<br>dimensions | Discharge<br>resistor |
|-----------------|--------------------|----------------------|-----------------------|----------------------|-----------------------|--------------------|----------------|---------|-------------------|-----------------------|
| CRT403100156V00 | CRT-56V-1-400 **   | 1                    | 3 x 6,6               | 3 x 1,4              | 55                    | 165                | 0,5            | 30      | 370x370x245       | Internal              |
| CRT403150156V00 | CRT-56V-1,5-400 ** | 1,5                  | 3 x 9,9               | 3 x 2,2              | 55                    | 165                | 0,5            | 30      | 370x370x245       | Internal              |
| CRT403200156V00 | CRT-56V-2-400 **   | 2                    | 3 x 13,3              | 3 x 2,9              | 55                    | 165                | 0,5            | 30      | 370x370x245       | Internal              |
| CRT403250156V00 | CRT-56V-2,5-400 ** | 2,5                  | 3 x 16,6              | 3 x 3,6              | 55                    | 165                | 0,5            | 30      | 370x370x245       | Internal              |
| CRT403300166V00 | CRT-66V-3-400 **   | 3                    | 3 x 19,9              | 3 x 4,3              | 65                    | 205                | 0,7            | 6       | 370x370x106       | Internal              |
| CRT403400166V00 | CRT-66V-4-400 **   | 4                    | 3 x 26,5              | 3 x 5,8              | 65                    | 205                | 0,7            | 6       | 370x370x106       | Internal              |
| CRT403500166V00 | CRT-66V-5-400 **   | 5                    | 3 x 33,2              | 3 x 7,2              | 65                    | 205                | 0,7            | 6       | 370x370x106       | Internal              |
| CRE501403M50028 | CRTE07520805040    | 5                    | 3 x 33,2              | 3 x 7,2              | 75                    | 208                | 1,2            | 5       | 370x370x106       | External              |
| CRE751403M50033 | CRTE07520807540    | 7,5                  | 3 x 49,7              | 3 x 10,8             | 75                    | 208                | 1,2            | 5       | 370x370x106       | External              |
| CRE102403M50053 | CRTE08520810040    | 10                   | 3 x 66,3              | 3 x 14,4             | 85                    | 208                | 1,6            | 4       | 370x370x106       | External              |
| CRE1D2403M50036 | CRTE08520812540    | 12,5                 | 3 x 82,9              | 3 x 18               | 85                    | 208                | 1,6            | 4       | 370x370x106       | External              |
| CRE152403M50054 | CRTE10020815040    | 15                   | 3 x 99,5              | 3 x 21,7             | 100                   | 208                | 2              | 3       | 370x370x106       | External              |
| CRE202403M50001 | CRTE10020820040    | 20                   | 3 x 132,6             | 3 x 28,9             | 100                   | 208                | 2              | 3       | 370x370x106       | External              |
| CRE252403M50002 | CRTE11620825040    | 25                   | 3 x 165,8             | 3 x 36,1             | 116                   | 208                | 2,6            | 3       | 370x370x125       | External              |
| CRE302403M50003 | CRTE11620830040    | 30                   | 3 x 198,9             | 3 x 43,3             | 116                   | 208                | 2,6            | 3       | 370x370x125       | External              |
| CRE402403M50108 | CRTE13628340040 ** | 40                   | 3 x 265,4             | 3 x 57,7             | 136                   | 283                | 3,8            | 2       | 370x370x161       | External              |
| CRE502403M50416 | CRTE13636050040 ** | 50                   | 3 x 332               | 3 x 72,2             | 136                   | 360                | 5,5            | 2       | 470x280x160       | External              |

\* File number E99479  
\*\* Not UL approved

# CRT-E 450V - 50Hz



## TECHNICAL CHARACTERISTICS

|                                 |  |
|---------------------------------|--|
| Dielectric                      | polypropylene metallized film  |
| Winding connection              | delta  |
| Safety device                   | Internal overpressure disconnecter   |
| Capacitance tolerance           | -5%, +10%  |
| Rated Voltage                   | 450V   |
| Rated Frequency                 | 50 Hz  |
| Over voltages                   | According to IEC<br>Un + 10% (up to 8 hours daily)<br>Un + 15% (up to 30 minutes daily)<br>Un + 20% (up to 5 minutes daily)<br>Un + 30% (up to 1 minute daily) |
| Over current (not continuative) | 2 In (including harmonics)   |
| Maximum inrush current          | 200 In   |
| Insulation level                | 3 / 15 kV  |
| Voltage test between terminals  | 2,15 Un, 50Hz, 10 seconds (routine test)   |
| Voltage test between terminals  | 3,00 Un, 50Hz, 60 seconds (type test)  |
| Voltage test terminals/case     | 3000V, 50Hz, 10 seconds  |
| Dielectric losses               | < 0.2 W/kvar   |
| Temperature class               | -25/D  |
| Cooling                         | Natural air or forced ventilation  |
| Permissible humidity            | 95%  |
| Service life                    | 130.000 operating hours<br>(hot spot 50°C)   |
| Service life                    | 100.000 operating hours<br>(hot spot 55°C)   |
| Altitude above sea level        | 2000 m   |
| Impregnation                    | resin filled, PCB free   |
| Terminals                       | Terminal board / screws (D ≤ 65mm)   |
| Fixing and Ground               | Threaded M12 stud on case bottom   |
| Mounting position               | vertical preferable for better cooling   |
| Protection degree               | IP20 (only D ≥ 85mm)   |
| Installation                    | Indoor   |
| Discharge resistors             | Included   |
| Discharge time                  | < 3 minutes to 75V or less   |
| Applicable standards            | IEC 60831-1/2  |

Vn = 450V - 50Hz



| PART NUMBER     | MODEL              | Q<br>POWER<br>(KVar) | C<br>Capacity<br>(µF) | In<br>Current<br>(A) | D<br>Diameter<br>(mm) | H<br>Heigh<br>(mm) | Weight<br>(Kg) | Pcs/box | Box<br>dimensions | Discharge<br>resistor |
|-----------------|--------------------|----------------------|-----------------------|----------------------|-----------------------|--------------------|----------------|---------|-------------------|-----------------------|
| CRT453100156V00 | CRT-56V-1-450 **   | 1                    | 3 x 5,2               | 3 x 1,3              | 55                    | 165                | 0,5            | 30      | 370x370x245       | Internal              |
| CRT453150156V00 | CRT-56V-1,5-450 ** | 1,5                  | 3 x 7,9               | 3 x 1,9              | 55                    | 165                | 0,5            | 30      | 370x370x245       | Internal              |
| CRT453200156V00 | CRT-56V-2-450 **   | 2                    | 3 x 10,5              | 3 x 2,6              | 55                    | 165                | 0,5            | 30      | 370x370x245       | Internal              |
| CRT453250156V00 | CRT-56V-2,5-450 ** | 2,5                  | 3 x 13,1              | 3 x 3,2              | 55                    | 165                | 0,5            | 30      | 370x370x245       | Internal              |
| CRT453300166V00 | CRT-66V-3-450 **   | 3                    | 3 x 15,7              | 3 x 3,8              | 65                    | 205                | 0,7            | 6       | 370x370x106       | Internal              |
| CRT453400166V00 | CRT-66V-4-450 **   | 4                    | 3 x 21                | 3 x 5,1              | 65                    | 205                | 0,7            | 6       | 370x370x106       | Internal              |
| CRT453500166V00 | CRT-66V-5-450 **   | 5                    | 3 x 26,2              | 3 x 6,4              | 65                    | 205                | 0,7            | 6       | 370x370x106       | Internal              |
| CRE501453M50015 | CRTE07520805045    | 5                    | 3 x 26,2              | 3 x 6,4              | 75                    | 208                | 1,2            | 5       | 370x370x106       | External              |
| CRE751453M50034 | CRTE07520807545    | 7,5                  | 3 x 39,3              | 3 x 9,6              | 75                    | 208                | 1,2            | 5       | 370x370x106       | External              |
| CRE102453M50055 | CRTE08520810045    | 10                   | 3 x 52,4              | 3 x 12,8             | 85                    | 208                | 1,6            | 4       | 370x370x106       | External              |
| CRE1D2453M50037 | CRTE08520812545    | 12,5                 | 3 x 65,5              | 3 x 16               | 85                    | 208                | 1,6            | 4       | 370x370x106       | External              |
| CRE152453M50056 | CRTE10020815045    | 15                   | 3 x 78,6              | 3 x 19,2             | 100                   | 208                | 2              | 3       | 370x370x106       | External              |
| CRE202453M50010 | CRTE10020820045    | 20                   | 3 x 104,8             | 3 x 25,7             | 100                   | 208                | 2              | 3       | 370x370x106       | External              |
| CRE252453M50004 | CRTE11620825045    | 25                   | 3 x 131               | 3 x 32,1             | 116                   | 208                | 2,6            | 3       | 370x370x125       | External              |
| CRE302453M50009 | CRTE11620830045    | 30                   | 3 x 157,2             | 3 x 38,5             | 116                   | 208                | 2,6            | 3       | 370x370x125       | External              |
| CRE402453M50162 | CRTE13628340045 ** | 40                   | 3 x 209,7             | 3 x 51,3             | 136                   | 283                | 3,8            | 2       | 370x370x161       | External              |

\* File number E99479

\*\* Not UL approved

# CRT-E 525V - 50Hz



### TECHNICAL CHARACTERISTICS

|                                 |  |
|---------------------------------|--|
| Dielectric                      | polypropylene metallized film  |
| Winding connection              | delta  |
| Safety device                   | Internal overpressure disconnecter   |
| Capacitance tolerance           | -5%, +10%  |
| Rated Voltage                   | 525V   |
| Rated Frequency                 | 50 Hz  |
| Over voltages                   | According to IEC<br>Un + 10% (up to 8 hours daily)<br>Un + 15% (up to 30 minutes daily)<br>Un + 20% (up to 5 minutes daily)<br>Un + 30% (up to 1 minute daily) |
| Over current (not continuative) | 2 In (including harmonics)   |
| Maximum inrush current          | 200 In   |
| Insulation level                | 3 / 15 kV  |
| Voltage test between terminals  | 2,15 Un, 50Hz, 10 seconds (routine test)   |
| Voltage test between terminals  | 3,00 Un, 50Hz, 60 seconds (type test)  |
| Voltage test terminals/case     | 3000V, 50Hz, 10 seconds  |
| Dielectric losses               | < 0.2 W/kvar   |
| Temperature class               | -25/D  |
| Cooling                         | Natural air or forced ventilation  |
| Permissible humidity            | 95%  |
| Service life                    | 130.000 operating hours<br>(hot spot 50°C)   |
| Service life                    | 100.000 operating hours<br>(hot spot 55°C)   |
| Altitude above sea level        | 2000 m   |
| Impregnation                    | resin filled, PCB free   |
| Terminals                       | Terminal board / screws (D ≤ 65mm)   |
| Fixing and Ground               | Threaded M12 stud on case bottom   |
| Mounting position               | vertical preferable for better cooling   |
| Protection degree               | IP20 (only D ≥ 85mm)   |
| Installation                    | Indoor   |
| Discharge resistors             | Included   |
| Discharge time                  | < 3 minutes to 75V or less   |
| Applicable standards            | IEC 60831-1/2  |

Vn = 525V - 50Hz



| PART NUMBER     | MODEL              | Q<br>POWER<br>(KVar) | C<br>Capacity<br>(µF) | In<br>Current<br>(A) | D<br>Diameter<br>(mm) | H<br>Heigh<br>(mm) | Weight<br>(Kg) | Pcs/box | Box<br>dimensions | Discharge<br>resistor |
|-----------------|--------------------|----------------------|-----------------------|----------------------|-----------------------|--------------------|----------------|---------|-------------------|-----------------------|
| CRT523100156V00 | CRT-56V-1-525 **   | 1                    | 3 x 3,8               | 3 x 1,1              | 55                    | 165                | 0,5            | 30      | 370x370x245       | Internal              |
| CRT523150156V00 | CRT-56V-1,5-525 ** | 1,5                  | 3 x 5,8               | 3 x 1,6              | 55                    | 165                | 0,5            | 30      | 370x370x245       | Internal              |
| CRT523200156V00 | CRT-56V-2-525 **   | 2                    | 3 x 7,7               | 3 x 2,2              | 55                    | 165                | 0,5            | 30      | 370x370x245       | Internal              |
| CRT523250156V00 | CRT-56V-2,5-525 ** | 2,5                  | 3 x 9,6               | 3 x 2,7              | 55                    | 165                | 0,5            | 30      | 370x370x245       | Internal              |
| CRT523300166V00 | CRT-66V-3-525 **   | 3                    | 3 x 11,5              | 3 x 3,3              | 65                    | 205                | 0,7            | 6       | 370x370x106       | Internal              |
| CRT523400166V00 | CRT-66V-4-525 **   | 4                    | 3 x 15,4              | 3 x 4,4              | 65                    | 205                | 0,7            | 6       | 370x370x106       | Internal              |
| CRT523500166V00 | CRT-66V-5-525 **   | 5                    | 3 x 19,2              | 3 x 5,5              | 65                    | 205                | 0,7            | 6       | 370x370x106       | Internal              |
| CRE501523M50016 | CRTE07520805052    | 5                    | 3 x 19,2              | 3 x 5,5              | 75                    | 208                | 1,2            | 5       | 370x370x106       | External              |
| CRE751523M50035 | CRTE07520807552    | 7,5                  | 3 x 28,9              | 3 x 8,2              | 75                    | 208                | 1,2            | 5       | 370x370x106       | External              |
| CRE102523M50057 | CRTE08520810052    | 10                   | 3 x 38,5              | 3 x 11               | 85                    | 208                | 1,6            | 4       | 370x370x106       | External              |
| CRE1D2523M50038 | CRTE08520812552    | 12,5                 | 3 x 48,1              | 3 x 13,7             | 85                    | 208                | 1,6            | 4       | 370x370x106       | External              |
| CRE152523M50058 | CRTE10020815052    | 15                   | 3 x 57,7              | 3 x 16,5             | 100                   | 208                | 2              | 3       | 370x370x106       | External              |
| CRE202523M50021 | CRTE10020820052    | 20                   | 3 x 77                | 3 x 22               | 100                   | 208                | 2              | 3       | 370x370x106       | External              |
| CRE252523M50022 | CRTE11620825052    | 25                   | 3 x 96,2              | 3 x 27,5             | 116                   | 208                | 2,6            | 3       | 370x370x125       | External              |
| CRE302523M50023 | CRTE11620830052    | 30                   | 3 x 115,5             | 3 x 33               | 116                   | 208                | 2,6            | 3       | 370x370x125       | External              |
| CRE402523M50079 | CRTE13620840052    | 40                   | 3 x 154               | 3 x 44               | 136                   | 208                | 3,2            | 2       | 370x370x161       | External              |
| CRE502523M50428 | CRTE13636050052 ** | 50                   | 3 x 193               | 3 x 55               | 136                   | 360                | 5,5            | 2       | 470x280x161       | External              |

\* File number E99479

\*\* Not UL approved

# CRT-E 690V - 50Hz



| TECHNICAL CHARACTERISTICS       |  |
|---------------------------------|--|
| Dielectric                      | polypropylene metallized film  |
| Winding connection              | delta  |
| Safety device                   | Internal overpressure disconnector   |
| Capacitance tolerance           | -5%, +10%  |
| Rated Voltage                   | 690V   |
| Rated Frequency                 | 50 Hz  |
| Over voltages                   | According to IEC<br>Un + 10% (up to 8 hours daily)<br>Un + 15% (up to 30 minutes daily)<br>Un + 20% (up to 5 minutes daily)<br>Un + 30% (up to 1 minute daily) |
| Over current (not continuative) | 2 In (including harmonics)   |
| Maximum inrush current          | 200 In   |
| Insulation level                | 3 / 15 kV  |
| Voltage test between terminals  | 2,15 Un, 50Hz, 10 seconds (routine test)   |
| Voltage test between terminals  | 3,00 Un, 50Hz, 60 seconds (type test)  |
| Voltage test terminals/case     | 6000V, 50Hz, 10 seconds  |
| Dielectric losses               | < 0.2 W/kvar   |
| Temperature class               | -25/D  |
| Cooling                         | Natural air or forced ventilation  |
| Permissible humidity            | 95%  |
| Service life                    | 130.000 operating hours (hot spot 50°C)  |
| Service life                    | 100.000 operating hours (hot spot 55°C)  |
| Altitude above sea level        | 2000 m   |
| Impregnation                    | resin filled, PCB free   |
| Terminals                       | Terminal board   |
| Fixing and Ground               | Threaded M12 stud on case bottom   |
| Mounting position               | vertical preferable for better cooling   |
| Protection degree               | IP20   |
| Installation                    | Indoor   |
| Discharge resistors             | Included   |
| Discharge time                  | < 3 minutes to 75V or less   |
| Applicable standards            | IEC 60831-1/2  |

Vn = 690V - 50Hz

| PART NUMBER     | MODEL           | Q<br>POWER<br>(KVar) | C<br>Capacity<br>(µF) | In<br>Current<br>(A) | D<br>Diameter<br>(mm) | H<br>Heigh<br>(mm) | Weight<br>(Kg) | Pcs/box | Box<br>dimensions | Discharge<br>resistor |
|-----------------|-----------------|----------------------|-----------------------|----------------------|-----------------------|--------------------|----------------|---------|-------------------|-----------------------|
| CRE501693M50163 | CRTE07520805069 | 5                    | 3 x 11,1              | 3 x 4,2              | 75                    | 208                | 1,2            | 5       | 370x370x106       | External              |
| CRE751693M50164 | CRTE08520807569 | 7,5                  | 3 x 16,7              | 3 x 6,3              | 85                    | 208                | 1,6            | 4       | 370x370x106       | External              |
| CRE102693M50165 | CRTE10020810069 | 10                   | 3 x 22,3              | 3 x 8,4              | 100                   | 208                | 2              | 3       | 370x370x106       | External              |
| CRE1D2693M50166 | CRTE10020812569 | 12,5                 | 3 x 27,9              | 3 x 10,5             | 100                   | 208                | 2              | 3       | 370x370x106       | External              |
| CRE152693M50167 | CRTE11620815069 | 15                   | 3 x 33,4              | 3 x 12,5             | 116                   | 208                | 2,6            | 3       | 370x370x125       | External              |
| CRE202693M50168 | CRTE11620820069 | 20                   | 3 x 44,6              | 3 x 16,7             | 116                   | 208                | 2,6            | 3       | 370x370x125       | External              |
| CRE252693M50111 | CRTE13620825069 | 25                   | 3 x 55,7              | 3 x 20,9             | 136                   | 208                | 3,2            | 2       | 370x370x161       | External              |
| CRE302693M50006 | CRTE11628330069 | 30                   | 3 x 66,9              | 3 x 25,1             | 116                   | 283                | 3,2            | 3       | 370x370x125       | External              |
| CRE402693M50169 | CRTE13628340069 | 40                   | 3 x 89,2              | 3 x 33,5             | 136                   | 283                | 3,8            | 2       | 370x370x161       | External              |

# CRT-E 750V - 50Hz



### TECHNICAL CHARACTERISTICS

|                                 |  |
|---------------------------------|--|
| Dielectric                      | polypropylene metallized film  |
| Winding connection              | delta  |
| Safety device                   | Internal overpressure disconnecter   |
| Capacitance tolerance           | -5%, +10%  |
| Rated Voltage                   | 750V   |
| Rated Frequency                 | 50 Hz  |
| Over voltages                   | According to IEC<br>Un + 10% (up to 8 hours daily)<br>Un + 15% (up to 30 minutes daily)<br>Un + 20% (up to 5 minutes daily)<br>Un + 30% (up to 1 minute daily) |
| Over current (not continuative) | 2 In (including harmonics)   |
| Maximum inrush current          | 200 In   |
| Insulation level                | 3 / 15 kV  |
| Voltage test between terminals  | 2,15 Un, 50Hz, 10 seconds (routine test)   |
| Voltage test between terminals  | 3,00 Un, 50Hz, 60 seconds (type test)  |
| Voltage test terminals/case     | 6000V, 50Hz, 10 seconds  |
| Dielectric losses               | < 0.2 W/kvar   |
| Temperature class               | -25/D  |
| Cooling                         | Natural air or forced ventilation  |
| Permissible humidity            | 95%  |
| Service life                    | 130.000 operating hours<br>(hot spot 50°C)   |
| Service life                    | 100.000 operating hours<br>(hot spot 55°C)   |
| Altitude above sea level        | 2000 m   |
| Impregnation                    | resin filled, PCB free   |
| Terminals                       | Terminal board   |
| Fixing and Ground               | Threaded M12 stud on case bottom   |
| Mounting position               | vertical preferable for better cooling   |
| Protection degree               | IP20   |
| Installation                    | Indoor   |
| Discharge resistors             | Included   |
| Discharge time                  | < 3 minutes to 75V or less   |
| Applicable standards            | IEC 60831-1/2  |

Vn = 750V - 50Hz



| PART NUMBER     | MODEL           | Q<br>POWER<br>(KVar) | C<br>Capacity<br>(µF) | In<br>Current<br>(A) | D<br>Diameter<br>(mm) | H<br>Heigh<br>(mm) | Weight<br>(Kg) | Pcs/box | Box<br>dimensions | Discharge<br>resistor |
|-----------------|-----------------|----------------------|-----------------------|----------------------|-----------------------|--------------------|----------------|---------|-------------------|-----------------------|
| CRE501753M50170 | CRTE07520805075 | 5                    | 3 x 9,4               | 3 x 3,8              | 75                    | 208                | 1,2            | 5       | 370x370x106       | External              |
| CRE751753M50171 | CRTE08520807575 | 7,5                  | 3 x 14,1              | 3 x 5,8              | 85                    | 208                | 1,6            | 4       | 370x370x106       | External              |
| CRE102753M50172 | CRTE10020810075 | 10                   | 3 x 18,9              | 3 x 7,7              | 100                   | 208                | 2              | 3       | 370x370x106       | External              |
| CRE1D2753M50173 | CRTE11620812575 | 12,5                 | 3 x 23,6              | 3 x 9,6              | 116                   | 208                | 2,6            | 3       | 370x370x125       | External              |
| CRE152753M50174 | CRTE11620815075 | 15                   | 3 x 28,3              | 3 x 11,5             | 116                   | 208                | 2,6            | 3       | 370x370x125       | External              |
| CRE202753M50175 | CRTE13620820075 | 20                   | 3 x 37,7              | 3 x 15,4             | 136                   | 208                | 3,2            | 2       | 370x370x161       | External              |
| CRE252753M50042 | CRTE11628325075 | 25                   | 3 x 47,2              | 3 x 19,2             | 116                   | 283                | 3,2            | 3       | 370x370x125       | External              |
| CRE302753M50176 | CRTE13628330075 | 30                   | 3 x 56,6              | 3 x 23,1             | 136                   | 283                | 3,8            | 2       | 370x370x161       | External              |
| CRE352753M50177 | CRTE13628335075 | 35                   | 3 x 66                | 3 x 26,9             | 136                   | 283                | 3,8            | 2       | 370x370x161       | External              |

# CRT-E 800V - 50Hz



| TECHNICAL CHARACTERISTICS       |  |
|---------------------------------|--|
| Dielectric                      | polypropylene metallized film  |
| Winding connection              | delta  |
| Safety device                   | Internal overpressure disconnecter   |
| Capacitance tolerance           | -5%, +10%  |
| Rated Voltage                   | 800V   |
| Rated Frequency                 | 50 Hz  |
| Over voltages                   | According to IEC<br>Un + 10% (up to 8 hours daily)<br>Un + 15% (up to 30 minutes daily)<br>Un + 20% (up to 5 minutes daily)<br>Un + 30% (up to 1 minute daily) |
| Over current (not continuative) | 2 In (including harmonics)   |
| Maximum inrush current          | 200 In   |
| Insulation level                | 3 / 15 kV  |
| Voltage test between terminals  | 2,15 Un, 50Hz, 10 seconds (routine test)   |
| Voltage test between terminals  | 3,00 Un, 50Hz, 60 seconds (type test)  |
| Voltage test terminals/case     | 6000V, 50Hz, 10 seconds  |
| Dielectric losses               | < 0.2 W/kvar   |
| Temperature class               | -25/D  |
| Cooling                         | Natural air or forced ventilation  |
| Permissible humidity            | 95%  |
| Service life                    | 130.000 operating hours (hot spot 50°C)  |
| Service life                    | 100.000 operating hours (hot spot 55°C)  |
| Altitude above sea level        | 2000 m   |
| Impregnation                    | resin filled, PCB free   |
| Terminals                       | Terminal board   |
| Fixing and Ground               | Threaded M12 stud on case bottom   |
| Mounting position               | vertical preferable for better cooling   |
| Protection degree               | IP20   |
| Installation                    | Indoor   |
| Discharge resistors             | Included   |
| Discharge time                  | < 3 minutes to 75V or less   |
| Applicable standards            | IEC 60831-1/2  |

Vn = 800V - 50Hz

| PART NUMBER     | MODEL           | Q POWER (KVar) | C Capacity (µF) | In Current (A) | D Diameter (mm) | H Heigh (mm) | Weight (Kg) | Pcs/box | Box dimensions | Discharge resistor |
|-----------------|-----------------|----------------|-----------------|----------------|-----------------|--------------|-------------|---------|----------------|--------------------|
| CRE501803M50178 | CRTE08520805080 | 5              | 3 x 8,3         | 3 x 3,6        | 85              | 208          | 1,6         | 4       | 370x370x106    | External           |
| CRE751803M50044 | CRTE10020807580 | 7,5            | 3 x 12,4        | 3 x 5,4        | 100             | 208          | 2           | 3       | 370x370x106    | External           |
| CRE102803M50179 | CRTE10020810080 | 10             | 3 x 16,6        | 3 x 7,2        | 100             | 208          | 2,6         | 3       | 370x370x106    | External           |
| CRE1D2803M50180 | CRTE11620812580 | 12,5           | 3 x 20,7        | 3 x 9          | 116             | 208          | 2,6         | 3       | 370x370x125    | External           |
| CRE152803M50181 | CRTE13620815080 | 15             | 3 x 24,9        | 3 x 10,8       | 136             | 208          | 3,2         | 2       | 370x370x161    | External           |
| CRE202803M50182 | CRTE13620820080 | 20             | 3 x 33,2        | 3 x 14,4       | 136             | 208          | 3,2         | 2       | 370x370x161    | External           |
| CRE252803M50183 | CRTE13628325080 | 25             | 3 x 41,5        | 3 x 18         | 136             | 283          | 3,8         | 2       | 370x370x161    | External           |
| CRE302803M50184 | CRTE13628330080 | 30             | 3 x 49,8        | 3 x 21,6       | 136             | 283          | 3,8         | 2       | 370x370x161    | External           |

# CRT-E 230V- 60Hz



### TECHNICAL CHARACTERISTICS

|                                 |  |
|---------------------------------|--|
| Dielectric                      | polypropylene metallized film  |
| Winding connection              | delta  |
| Safety device                   | Internal overpressure disconnecter   |
| Capacitance tolerance           | -5%, +10%  |
| Rated Voltage                   | 230V   |
| Rated Frequency                 | 60 Hz  |
| Over voltages                   | According to IEC<br>Un + 10% (up to 8 hours daily)<br>Un + 15% (up to 30 minutes daily)<br>Un + 20% (up to 5 minutes daily)<br>Un + 30% (up to 1 minute daily) |
| Over current (not continuative) | 2 In (including harmonics)   |
| Maximum inrush current          | 200 In   |
| Insulation level                | 3 / 15 kV  |
| Voltage test between terminals  | 2,15 Un, 50Hz, 10 seconds (routine test)   |
| Voltage test between terminals  | 3,00 Un, 50Hz, 60 seconds (type test)  |
| Voltage test terminals/case     | 3000V, 50Hz, 10 seconds  |
| Dielectric losses               | < 0.2 W/kvar   |
| Temperature class               | -25/D  |
| Cooling                         | Natural air or forced ventilation  |
| Permissible humidity            | 95%  |
| Service life                    | 130.000 operating hours<br>(hot spot 50°C)   |
| Service life                    | 100.000 operating hours<br>(hot spot 55°C)   |
| Altitude above sea level        | 2000 m   |
| Impregnation                    | resin filled, PCB free   |
| Terminals                       | Terminal board / screws (D ≤ 65mm)   |
| Fixing and Ground               | Threaded M12 stud on case bottom   |
| Mounting position               | vertical preferable for better cooling   |
| Protection degree               | IP20 (only D ≥ 85mm)   |
| Installation                    | Indoor   |
| Discharge resistors             | Included   |
| Discharge time                  | < 3 minutes to 75V or less   |
| Applicable standards            | IEC 60831-1/2  |

Vn = 230V - 60Hz



| PART NUMBER     | MODEL                 | Q POWER (KVar) | C Capacity (µF) | In Current (A) | D Diameter (mm) | H Heigh (mm) | Weight (Kg) | Pcs/box | Box dimensions | Discharge resistor |
|-----------------|-----------------------|----------------|-----------------|----------------|-----------------|--------------|-------------|---------|----------------|--------------------|
| CRT233120156V60 | CRT-56V-1,2-230/60 ** | 1,2            | 3 x 20          | 3 x 3          | 55              | 165          | 0,5         | 30      | 370x370x245    | Internal           |
| CRT233180156V60 | CRT-56V-1,8-230/60 ** | 1,8            | 3 x 30,1        | 3 x 4,5        | 55              | 165          | 0,5         | 30      | 370x370x245    | Internal           |
| CRT133240166V60 | CRT-66V-2,4-230/60 ** | 2,4            | 3 x 40,1        | 3 x 6          | 65              | 205          | 0,7         | 6       | 370x370x106    | Internal           |
| CRT233300166V60 | CRT-66V-3-230/60 **   | 3              | 3 x 50,1        | 3 x 7,5        | 65              | 205          | 0,7         | 6       | 370x370x106    | Internal           |
| CRE601233M60059 | CRTE08520806023/60    | 6              | 3 x 100         | 3 x 15         | 85              | 208          | 1,6         | 4       | 370x370x106    | External           |
| CRE901233M60060 | CRTE10020809023/60    | 9              | 3 x 150         | 3 x 22,6       | 100             | 208          | 2           | 3       | 370x370x106    | External           |
| CRE122233M60031 | CRTE10020812023/60    | 12             | 3 x 200         | 3 x 30         | 100             | 208          | 2           | 3       | 370x370x106    | External           |
| CRE152233M60032 | CRTE11620815023/60    | 15             | 3 x 250         | 3 x 37,6       | 116             | 208          | 2,6         | 3       | 370x370x125    | External           |
| CRE182233M60186 | CRTE13620818023/60    | 18             | 3 x 300         | 3 x 45,2       | 136             | 208          | 3,2         | 2       | 370x370x161    | External           |

\* File number E99479

\*\* Not UL approved



# CRT-E 380V - 60Hz



| TECHNICAL CHARACTERISTICS       |  |
|---------------------------------|--|
| Dielectric                      | polypropylene metallized film  |
| Winding connection              | delta  |
| Safety device                   | Internal overpressure disconnecter   |
| Capacitance tolerance           | -5%, +10%  |
| Rated Voltage                   | 380V   |
| Rated Frequency                 | 60 Hz  |
| Over voltages                   | According to IEC<br>Un + 10% (up to 8 hours daily)<br>Un + 15% (up to 30 minutes daily)<br>Un + 20% (up to 5 minutes daily)<br>Un + 30% (up to 1 minute daily) |
| Over current (not continuative) | 2 In (including harmonics)   |
| Maximum inrush current          | 200 In   |
| Insulation level                | 3 / 15 kV  |
| Voltage test between terminals  | 2,15 Un, 50Hz, 10 seconds (routine test)   |
| Voltage test between terminals  | 3,00 Un, 50Hz, 60 seconds (type test)  |
| Voltage test terminals/case     | 3000V, 50Hz, 10 seconds  |
| Dielectric losses               | < 0.2 W/kvar   |
| Temperature class               | -25/D  |
| Cooling                         | Natural air or forced ventilation  |
| Permissible humidity            | 95%  |
| Service life                    | 130.000 operating hours<br>(hot spot 50°C)   |
| Service life                    | 100.000 operating hours<br>(hot spot 55°C)   |
| Altitude above sea level        | 2000 m   |
| Impregnation                    | resin filled, PCB free   |
| Terminals                       | Terminal board / screws (D ≤ 65mm)   |
| Fixing and Ground               | Threaded M12 stud on case bottom   |
| Mounting position               | vertical preferable for better cooling   |
| Protection degree               | IP20 (only D ≥ 85mm)   |
| Installation                    | Indoor   |
| Discharge resistors             | Included   |
| Discharge time                  | < 3 minutes to 75V or less   |
| Applicable standards            | IEC 60831-1/2  |

Vn = 380V - 60Hz

| PART NUMBER     | MODEL                 | Q POWER (KVar) | C Capacity (µF) | In Current (A) | D Diameter (mm) | H Heigh (mm) | Weight (Kg) | Pcs/box | Box dimensions | Discharge resistor |
|-----------------|-----------------------|----------------|-----------------|----------------|-----------------|--------------|-------------|---------|----------------|--------------------|
| CRT383110156V60 | CRT-56V-1,1-380/60 ** | 1,1            | 3 x 6,6         | 3 x 1,7        | 55              | 165          | 0,5         | 30      | 370x370x245    | Internal           |
| CRT383160156V60 | CRT-56V-1,6-380/60 ** | 1,6            | 3 x 9,9         | 3 x 2,4        | 55              | 165          | 0,5         | 30      | 370x370x245    | Internal           |
| CRT383220156V60 | CRT-56V-2,2-380/60 ** | 2,2            | 3 x 13,3        | 3 x 3,3        | 55              | 165          | 0,5         | 30      | 370x370x245    | Internal           |
| CRT383270156V60 | CRT-56V-2,7-380/60 ** | 2,7            | 3 x 16,6        | 3 x 4,1        | 55              | 165          | 0,5         | 30      | 370x370x245    | Internal           |
| CRT383320166V60 | CRT-66V-3,2-380/60 ** | 3,2            | 3 x 19,9        | 3 x 4,9        | 65              | 205          | 0,7         | 6       | 370x370x106    | Internal           |
| CRT383430166V60 | CRT-66V-4,3-380/60 ** | 4,3            | 3 x 26,5        | 3 x 6,5        | 65              | 205          | 0,7         | 6       | 370x370x106    | Internal           |
| CRT383540166V60 | CRT-66V-5,4-380/60 ** | 5,4            | 3 x 33,2        | 3 x 8,2        | 65              | 205          | 0,7         | 6       | 370x370x106    | Internal           |
| CRE541383M60326 | CRTE07520805438/60    | 5,4            | 3 x 33,2        | 3 x 8,2        | 75              | 208          | 1,2         | 5       | 370x370x106    | External           |
| CRE811383M60327 | CRTE07520808138/60    | 8,1            | 3 x 49,7        | 3 x 12,3       | 75              | 208          | 1,2         | 5       | 370x370x106    | External           |
| CRE1E2383M60328 | CRTE08520810838/60    | 10,8           | 3 x 66,3        | 3 x 16,4       | 85              | 208          | 1,6         | 4       | 370x370x106    | External           |
| CRE1L2383M60329 | CRTE08520813538/60    | 13,5           | 3 x 82,9        | 3 x 20,5       | 85              | 208          | 1,6         | 4       | 370x370x106    | External           |
| CRE1Q2383M60330 | CRTE10020816238/60    | 16,2           | 3 x 99,5        | 3 x 24,6       | 100             | 208          | 2           | 3       | 370x370x106    | External           |
| CRE2F2383M60331 | CRTE10020821738/60    | 21,7           | 3 x 132,6       | 3 x 33         | 100             | 208          | 2           | 3       | 370x370x106    | External           |
| CRE2G2383M60193 | CRTE11620827138/60    | 27,1           | 3 x 165,8       | 3 x 41,2       | 116             | 208          | 2,6         | 3       | 370x370x125    | External           |

\* File number E99479

\*\* Not UL approve

# CRT-E 480V - 60Hz



### TECHNICAL CHARACTERISTICS

|                                 |  |
|---------------------------------|--|
| Dielectric                      | polypropylene metallized film  |
| Winding connection              | delta  |
| Safety device                   | Internal overpressure disconnecter   |
| Capacitance tolerance           | -5%, +10%  |
| Rated Voltage                   | 480V   |
| Rated Frequency                 | 60 Hz  |
| Over voltages                   | According to IEC<br>Un + 10% (up to 8 hours daily)<br>Un + 15% (up to 30 minutes daily)<br>Un + 20% (up to 5 minutes daily)<br>Un + 30% (up to 1 minute daily) |
| Over current (not continuative) | 2 In (including harmonics)   |
| Maximum inrush current          | 200 In   |
| Insulation level                | 3 / 15 kV  |
| Voltage test between terminals  | 2,15 Un, 50Hz, 10 seconds (routine test)   |
| Voltage test between terminals  | 3,00 Un, 50Hz, 60 seconds (type test)  |
| Voltage test terminals/case     | 3000V, 50Hz, 10 seconds  |
| Dielectric losses               | < 0.2 W/kvar   |
| Temperature class               | -25/D  |
| Cooling                         | Natural air or forced ventilation  |
| Permissible humidity            | 95%  |
| Service life                    | 130.000 operating hours<br>(hot spot 50°C)   |
| Service life                    | 100.000 operating hours<br>(hot spot 55°C)   |
| Altitude above sea level        | 2000 m   |
| Impregnation                    | resin filled, PCB free   |
| Terminals                       | Terminal board /screws (D ≤ 65mm)  |
| Fixing and Ground               | Threaded M12 stud on case bottom   |
| Mounting position               | vertical preferable for better cooling   |
| Protection degree               | IP20 (only D ≥ 85mm)   |
| Installation                    | Indoor   |
| Discharge resistors             | Included   |
| Discharge time                  | < 3 minutes to 75V or less   |
| Applicable standards            | IEC 60831-1/2  |

Vn = 480V - 60Hz



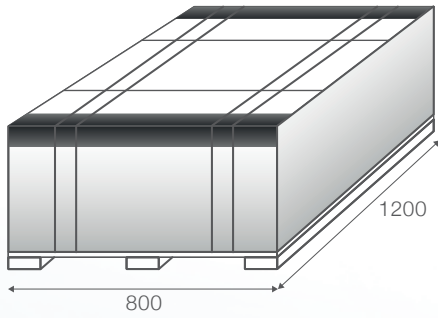
| PART NUMBER     | MODEL                 | Q<br>POWER<br>(KVar) | C<br>Capacity<br>(µF) | In<br>Current<br>(A) | D<br>Diameter<br>(mm) | H<br>Heigh<br>(mm) | Weight<br>(Kg) | Pcs/box | Box<br>dimensions | Discharge<br>resistor |
|-----------------|-----------------------|----------------------|-----------------------|----------------------|-----------------------|--------------------|----------------|---------|-------------------|-----------------------|
| CRT483100156V60 | CRT-56V-1-480/60 **   | 1                    | 3 x 3,8               | 3 x 1,2              | 55                    | 165                | 0,5            | 30      | 370x370x245       | Internal              |
| CRT483150156V60 | CRT-56V-1,5-480/60 ** | 1,5                  | 3 x 5,8               | 3 x 1,8              | 55                    | 165                | 0,5            | 30      | 370x370x245       | Internal              |
| CRT483200156V60 | CRT-56V-2-480/60 **   | 2                    | 3 x 7,7               | 3 x 2,4              | 55                    | 165                | 0,5            | 30      | 370x370x245       | Internal              |
| CRT483250156V60 | CRT-56V-2,5-480/60 ** | 2,5                  | 3 x 9,6               | 3 x 3                | 55                    | 165                | 0,5            | 30      | 370x370x245       | Internal              |
| CRT483300166V60 | CRT-66V-3-480/60 **   | 3                    | 3 x 11,5              | 3 x 3,6              | 65                    | 205                | 0,7            | 6       | 370x370x106       | Internal              |
| CRT483400166V60 | CRT-66V-4-480/60 **   | 4                    | 3 x 15,4              | 3 x 4,8              | 65                    | 205                | 0,7            | 6       | 370x370x106       | Internal              |
| CRT483500166V60 | CRT-66V-5-480/60 **   | 5                    | 3 x 19,2              | 3 x 6                | 65                    | 205                | 0,7            | 6       | 370x370x106       | Internal              |
| CRE501483M60085 | CRTE07520805048/60    | 5                    | 3 x 19,2              | 3 x 6                | 75                    | 208                | 1,2            | 5       | 370x370x106       | External              |
| CRE751483M60086 | CRTE07520807548/60    | 7,5                  | 3 x 28,9              | 3 x 9                | 75                    | 208                | 1,2            | 5       | 370x370x106       | External              |
| CRE102483M60087 | CRTE08520810048/60    | 10                   | 3 x 38,5              | 3 x 12               | 85                    | 208                | 1,6            | 4       | 370x370x106       | External              |
| CRE1D2483M60088 | CRTE08520812548/60    | 12,5                 | 3 x 48,1              | 3 x 15               | 85                    | 208                | 1,6            | 4       | 370x370x106       | External              |
| CRE152483M60089 | CRTE10020815048/60    | 15                   | 3 x 57,7              | 3 x 18               | 100                   | 208                | 2              | 3       | 370x370x106       | External              |
| CRE202483M60090 | CRTE10020820048/60    | 20                   | 3 x 77                | 3 x 24,1             | 100                   | 208                | 2              | 3       | 370x370x106       | External              |
| CRE252483M60091 | CRTE11620825048/60    | 25                   | 3 x 96,2              | 3 x 30,1             | 116                   | 208                | 2,6            | 3       | 370x370x125       | External              |
| CRE302483M60092 | CRTE11620830048/60    | 30                   | 3 x 115,5             | 3 x 36,1             | 116                   | 208                | 2,6            | 3       | 370x370x125       | External              |
| CRE402483M60198 | CRTE13620840048/60    | 40                   | 3 x 154               | 3 x 48,1             | 136                   | 208                | 3,2            | 2       | 370x370x161       | External              |
| CRE502483M60429 | CRTE13636040048/60    | 50                   | 3 x 192               | 3 x 60,1             | 136                   | 360                | 5,5            | 2       | 470x280x161       | External              |

\* File number E99479

\*\* Not UL approved

# Packing details: CRTE Capacitors

WOODEN FRAME ON STANDARD EURO-PALLET  
(FUMIGATED IF REQUIRED)



| CRTE Capacitor diameter (mm) | Number of Capacitors per box | Number of Capacitors per pallet/box | Package height H (mm) |
|------------------------------|------------------------------|-------------------------------------|-----------------------|
| 75                           | 5                            | 180                                 | 900                   |
| 85                           | 4                            | 144                                 | 900                   |
| 100                          | 3                            | 108                                 | 900                   |
| 116                          | 3                            | 108                                 | 1050                  |
| 136                          | 2                            | 60                                  | 1050                  |

# Harmonic blocking reactors



The growing use of power electronic devices is causing an increasing level of harmonic distortion in the electrical systems, which frequently leads to problems with capacitor installations. This is the reason why energy suppliers and actual conditions require the usage of harmonic blocking reactors.

A detuned capacitor system works out the function of power factor correction whilst preventing any amplification of harmonic currents and voltages caused by resonance between capacitor and inductance impedances of the electrical system.

By adding an appropriately rated series reactor to the power capacitor, both elements form a low-pass resonant circuit (usually below the 5th) which prevents higher order harmonics to flow into capacitors.

ICAR harmonic blocking reactors are made of high-class transformer sheets and aluminium or copper coils.

They are fully manufactured at our premises, dried and impregnated in a vacuum with environmentally-friendly, low-styrole resin which ensures high voltage withstand, low noise levels, and enjoys a long operating life.

## PARAMETERS AND SELECTION

### Coupling of Capacitors and Reactors

Combination of capacitors and reactors is a delicate procedure which has to be properly done. The scheme ICAR is proposing in following pages comes from its experience in the Automatic Power Factor Correction systems design and manufacturing and it considers all of the aspects involved, such as:

Voltage increase across capacitor terminals

- Allowable harmonic overload of reactors and capacitors
- Actual reactive power output

It is then warmly recommended to respect the proposed coupling of capacitance and reactance, as well as capacitor rated voltage.

### Detuning frequency [f<sub>N</sub>]

Harmonic blocking reactor choice is based on the actual harmonic current spectrum; the most relevant and lowest harmonic current determines the harmonic blocking frequency, hence the reactor selection.

In detail

- 140Hz will be used if THD in current is substantial higher than 60%,
- 189Hz or 215Hz will be used if THD in current is up to 60%.

### Rated inductance [l]

Inductance rating of reactor, measured at rated current I<sub>n</sub>, expressed in mH (Milli-Henry) is the main component feature.

### Capacitance [C]

It comes from the delta connection of three single phase capacitive elements. Stated value is the multiple by three of each element and it expressed in μF (micro Farad).

### Capacitor Rated voltage [v]

The series connection of capacitor and reactor causes a voltage rise at the capacitor terminals as described by the following formula which must be considered when selecting a capacitor for the case.

$$U_c = \frac{U_N}{\left[1 - \frac{p}{100\%}\right]}$$

where

$$p = 100\% \cdot \frac{X_L}{X_C}$$

examples:

| Detung factor p | Resonance frequency Fr |                        |
|-----------------|------------------------|------------------------|
|                 | F <sub>N</sub> = 50 Hz | F <sub>N</sub> = 60 Hz |
| 5,67 %          | 210 Hz                 | 227 Hz                 |
| 7 %             | 189 Hz                 | 252 Hz                 |
| 14 %            | 134 Hz                 | 160 Hz                 |

### Rated capacitor power [Q]

The rated capacitor output is defined as the power the capacitor can generate if supplied at rated voltage; it is important to follow the manufacturer recommendation in terms of voltage selection.

This parameter also makes easier the selection of proper CRTE capacitor in series to reactor.

### Real output [Qc]

Actual capacitor output is increased respect to the rated value by the higher voltage at capacitor terminals.

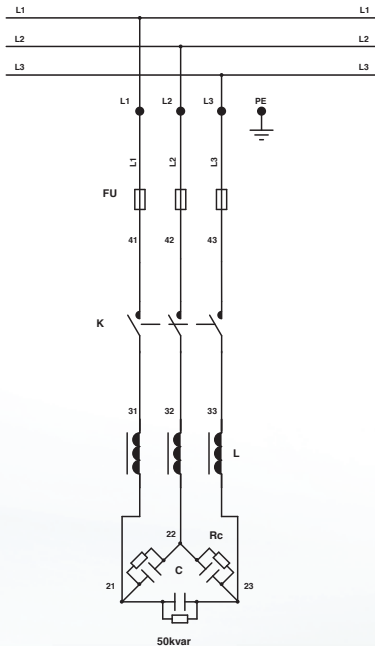
However this effect is already incorporated in the table Qc Reactive Power.

### RMS Current I<sub>eff</sub> [I<sub>rms</sub>]

Actual load flowing on the reactor in permanent operation, it is composed by the fundamental wave plus harmonic currents. Component selections described in this catalogue are made in respect to the maximum reactor and capacitor allowed manufacturer limits.

## RECOMMENDED CONNECTING SCHEME

Reactors shown in this catalogue are designed for the following scheme of wiring.



## INSTALLATION AND MAINTENANCE

### Handling and Storage

Reactors shall have to be handled and stored with care in order to avoid any mechanical damage during transportation. Protection against environmental influences shall also be taken.

### Installation

Reactors are suitable for indoor installation and for vertical position. Reactors must be installed in such a way that the specified limit temperature is not overcome. Not being in compliance with the above instructions will result as a reduction of the expected service life.

### Assembly

Total losses are sum of all iron, winding, and stray field losses at max. specified over voltage and harmonic content. Depending on the detuning factor, actual dissipation power of our reactors is between 4 and 6W/kvar. While using capacitors and reactors within a capacitor bank, suitable means for heat dissipation and cooling of components shall be taken. A minimum 20mm distance between the units has to be maintained.

### Maintenance

Periodical checks and inspections are required to ensure reliable operation of reactors. Monitoring and recording of the electrical service parameters are also recommended to become acquainted with progressive reactors stress conditions.

### Protections

**Temperature Switch** All reactors are provided with a separate screw terminal for the temperature switch (opening switch) which is located inside every coil. These leads shall be wired in series to contactor coils to switch off in case of over load.

## SAFETY INSTRUCTIONS

**DO NOT MISAPPLY REACTORS FOR POWER FACTOR CORRECTION APPLICATIONS**

To prevent damage to people and goods due to improper usage and/or application of reactors, the "RECOMMENDATION FOR THE SAFE USE OF STATIC CAPACITORS, BANKS AND EQUIPMENT FOR POWERFACTOR CORRECTION". Published by ANIE shall have to be strictly respected. ICAR is not responsible for any kind of possible damages occurred to people or things, derived from the improper installation and application of Power Factor Correction capacitors and reactors.

### Most common misapplication forms

Current, voltage, harmonics and frequency above specification;

- Working or storage temperature beyond the specified limits;
- Unusual service conditions as mechanical shock and vibrations, corrosive or abrasive conductive parts in cooling air, oil or water vapour or corrosive substances, explosive gas or dust, radioactivity, excessive and fast variations of ambient conditions, service areas higher than 2000 m above sea level...

In case of doubt in choice or in performances of the capacitors and reactors ICAR technical service MUST be contacted.

### Personal Safety

Electrical or mechanical misapplications of Harmonic Blocking Reactors capacitors may become hazardous. Special attention must be taken to make sure the reactors are correctly used for each application and that warnings and instructions are strictly followed. Reactors are made not only but also with iron, aluminium, paper and resin that are partially flammable materials. The risk of fire cannot be totally eliminated; therefore suitable precautions shall be taken. Reliability data quoted by ICAR should be considered as statistical i.e. based on a number of components, and does not guarantee properties or performance in the legal sense. ICAR liability is limited to the replacement of defective components. This applies in particular to consequential damage caused by component failure.



# 5,4% 400V - 50Hz Reactors

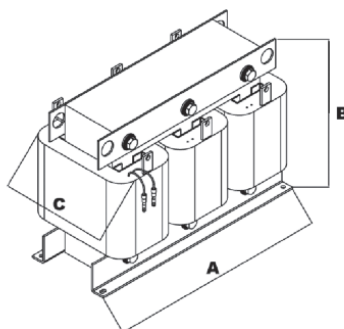
| $U_N$ | f    | $f_N$  | P    |
|-------|------|--------|------|
| 400V  | 50Hz | 215 Hz | 5,4% |



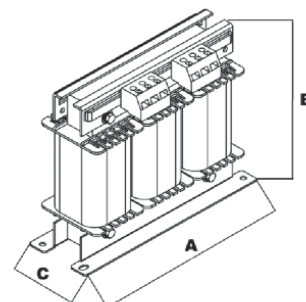
### TECHNICAL CHARACTERISTICS

|                             |   |
|-----------------------------|---|
| Applicable standards        | CEI-EN 60289 IEC 60289  |
| Rated voltages              | 230...700V  |
| Rated frequencies           | 50 Hz   |
| Tolerance of inductance     | ±5% ( mean value across three phases)   |
| Linearity                   | $I_{lin} = 1.6...2.0 I_n$   |
| Insulation (winding-core)   | 3 kV  |
| Temperature class           | F (155°C)   |
| Maximum Ambient Temperature | 40°C  |
| Protection class            | IP00 indoor mounting  |
| Humidity                    | 95%   |
| Cooling                     | natural   |
| Design                      | Three phase, iron core double air gap   |
| Winding material            | Aluminium foil/copper wires   |
| Impregnation                | Polyester resin, class H  |
| Terminals                   | Terminal blocks, or cable lugs.   |
| Temperature Switch          | All reactors are provided with a separate screw terminal for the temperature switch (opening switch) which is located inside every coil |
| Switching temperature       | 140°C   |
| Voltage                     | 250Vac (<5A)  |
| Tolerance                   | ±5K   |

| PART NUMBER     | Qc at 400V (kvar) | L (mH) | I <sub>rms</sub> (A) | Material  | Dimensions (AxBxC) (mm) | Weight (Kg) | Qc at rated voltage (kvar) | Capacitor rated voltage (V) | Capacitance (µF) |
|-----------------|-------------------|--------|----------------------|-----------|-------------------------|-------------|----------------------------|-----------------------------|------------------|
| 46015810        | 5                 | 5,8    | 8                    | copper    | 205x167x68              | 7           | 7,5                        | 450                         | 112,5            |
| 46012910        | 10                | 2,9    | 16                   | copper    | 205x164x68              | 8,6         | 12,5                       | 450                         | 196              |
| 46012401        | 12,5              | 2,4    | 19                   | copper    | 205x184x68              | 6           | 15                         | 450                         | 236              |
| 46011451        | 20                | 1,45   | 32                   | copper    | 205x184x88              | 9,5         | 25                         | 450                         | 393              |
| 46011452        | 25                | 1,22   | 39                   | copper    | 180x180x170             | 11,6        | 30                         | 450                         | 471              |
| PRG0030DAB57579 | 40                | 0,73   | 64,3                 | aluminium | 320x220x120             | 18          | 50                         | 450                         | 786              |
| PRG0037DAB57692 | 50                | 0,6    | 78                   | aluminium | 320x220x130             | 20          | 60                         | 450                         | 942              |



ALUMINIUM



COPPER

# 7% 400V - 50Hz Reactors

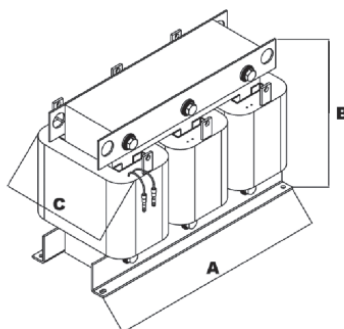
| $U_N$ | f    | $f_N$  | P  |
|-------|------|--------|----|
| 400V  | 50Hz | 180 Hz | 7% |



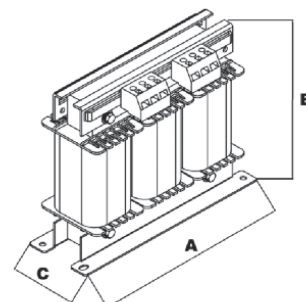
### TECHNICAL CHARACTERISTICS

|                             |   |
|-----------------------------|---|
| Applicable standards        | CEI-EN 60289 IEC 60289  |
| Rated voltages              | 230...700V  |
| Rated frequencies           | 50 Hz   |
| Tolerance of inductance     | ±5% ( mean value across three phases)   |
| Linearity                   | $I_{lin} = 1.6...2.0 I_n$   |
| Insulation (winding-core)   | 3 kV  |
| Temperature class           | F (155°C)   |
| Maximum Ambient Temperature | 40°C  |
| Protection class            | IP00 indoor mounting  |
| Humidity                    | 95%   |
| Cooling                     | natural   |
| Design                      | Three phase, iron core double air gap   |
| Winding material            | Aluminium foil/copper wires   |
| Impregnation                | Polyester resin, class H  |
| Terminals                   | Terminal blocks, or cable lugs.   |
| Temperature Switch          | All reactors are provided with a separate screw terminal for the temperature switch (opening switch) which is located inside every coil |
| Switching temperature       | 140°C   |
| Voltage                     | 250Vac (<5A)  |
| Tolerance                   | ±5K   |

| PART NUMBER     | Qc at 400V (kvar) | L (mH) | I <sub>rms</sub> (A) | Material  | Dimensions (AxBxC) (mm) | Weight (Kg) | Qc at rated voltage (kvar) | Capacitor rated voltage (V) | Capacitance (µF) |
|-----------------|-------------------|--------|----------------------|-----------|-------------------------|-------------|----------------------------|-----------------------------|------------------|
| 4618300         | 5                 | 8,3    | 8                    | copper    | 205x170x65              | 6,0         | 7,5                        | 450                         | 112,5            |
| 46014200        | 10                | 4,2    | 17                   | copper    | 205x181x79              | 7,7         | 12,5                       | 450                         | 196              |
| 46014201        | 12,5              | 3,03   | 21                   | copper    | 180x180x150             | 11          | 15                         | 450                         | 236              |
| PRG0028DAB57538 | 20                | 1,73   | 40                   | aluminium | 320x220x120             | 17          | 25                         | 450                         | 393              |
| PRG0025DAB57568 | 25                | 1,572  | 39,5                 | aluminium | 320x220x120             | 17          | 30                         | 450                         | 471              |
| PRG0056DAB57524 | 40                | 0,865  | 80                   | aluminium | 320x220x145             | 26          | 50                         | 450                         | 786              |
| PRG0050DAB57567 | 50                | 0,786  | 79                   | aluminium | 320x220x140             | 26          | 60                         | 450                         | 942              |



ALUMINIUM



COPPER



# 14% 400V - 50Hz Reactors

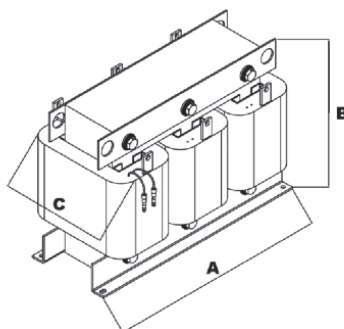
| $U_N$ | f    | $f_N$  | P   |
|-------|------|--------|-----|
| 400V  | 50Hz | 140 Hz | 14% |



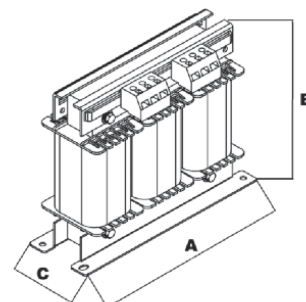
### TECHNICAL CHARACTERISTICS

|                             |   |
|-----------------------------|---|
| Applicable standards        | CEI-EN 60289 IEC 60289  |
| Rated voltages              | 230...700V  |
| Rated frequencies           | 50 Hz   |
| Tolerance of inductance     | ±5% ( mean value across three phases)   |
| Linearity                   | $I_{lin} = 1.6...2.0 I_n$   |
| Insulation (winding-core)   | 3 kV  |
| Temperature class           | F (155°C)   |
| Maximum Ambient Temperature | 40°C  |
| Protection class            | IP00 indoor mounting  |
| Humidity                    | 95%   |
| Cooling                     | natural   |
| Design                      | Three phase, iron core double air gap   |
| Winding material            | Aluminium foil/copper wires   |
| Impregnation                | Polyester resin, class H  |
| Terminals                   | Terminal blocks, or cable lugs.   |
| Temperature Switch          | All reactors are provided with a separate screw terminal for the temperature switch (opening switch) which is located inside every coil |
| Switching temperature       | 140°C   |
| Voltage                     | 250Vac (<5A)  |
| Tolerance                   | ±5K   |

| PART NUMBER     | Qc at 400V (kvar) | L (mH) | I <sub>rms</sub> (A) | Material  | Dimensions (AxBxC) (mm) | Weight (Kg) | Qc at rated voltage (kvar) | Capacitor rated voltage (V) | Capacitance (µF) |
|-----------------|-------------------|--------|----------------------|-----------|-------------------------|-------------|----------------------------|-----------------------------|------------------|
| 46021480        | 5                 | 14,8   | 9                    | copper    | 205x170x78              | 7,4         | 7,5                        | 525                         | 87               |
| 46017400        | 10                | 7,4    | 18                   | copper    | 205x180x113             | 12,8        | 15                         | 525                         | 173              |
| 46016300        | 12,5              | 6,3    | 19                   | copper    | 205x170x113             | 13,5        | 20                         | 525                         | 231              |
| PRG0042DAB57551 | 20                | 3,7    | 35                   | aluminium | 320x220x130             | 21          | 30                         | 525                         | 345              |
| PRG0047DAB57427 | 25                | 3,13   | 38                   | aluminium | 320x220x135             | 22          | 35                         | 525                         | 404              |
| PRG0078DAB57592 | 40                | 2,056  | 63                   | aluminium | 320x220x165             | 34          | 60                         | 525                         | 692              |
| PRG0093DAB57418 | 50                | 1,57   | 77                   | aluminium | 380x215x165             | 37          | 75                         | 525                         | 865              |



ALUMINIUM



COPPER



| $U_N$ | f    | $f_N$  | P  |
|-------|------|--------|----|
| 380V  | 60Hz | 227 Hz | 7% |

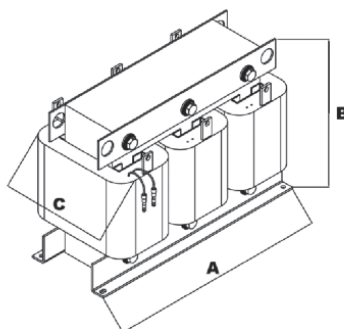
# 7% 380V - 60Hz Reactors



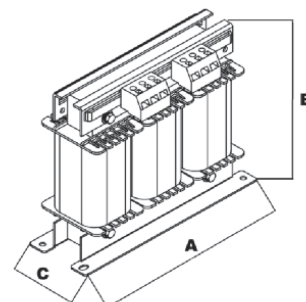
### TECHNICAL CHARACTERISTICS

|                             |   |
|-----------------------------|---|
| Applicable standards        | CEI-EN 60289 IEC 60289  |
| Rated voltages              | 230...700V  |
| Rated frequencies           | 50 Hz   |
| Tolerance of inductance     | ±5% ( mean value across three phases)   |
| Linearity                   | $I_{lin} = 1.6...2.0 I_n$   |
| Insulation (winding-core)   | 3 kV  |
| Temperature class           | F (155°C)   |
| Maximum Ambient Temperature | 40°C  |
| Protection class            | IP00 indoor mounting  |
| Humidity                    | 95%   |
| Cooling                     | natural   |
| Design                      | Three phase, iron core double air gap   |
| Winding material            | Aluminium foil/copper wires   |
| Impregnation                | Polyester resin, class H  |
| Terminals                   | Terminal blocks, or cable lugs.   |
| Temperature Switch          | All reactors are provided with a separate screw terminal for the temperature switch (opening switch) which is located inside every coil |
| Switching temperature       | 140°C   |
| Voltage                     | 250Vac (<5A)  |
| Tolerance                   | ±5K   |

| PART NUMBER     | Qc at 400V (kvar) | L (mH) | I <sub>rms</sub> (A) | Material  | Dimensions (AxBxC) (mm) | Weight (Kg) | Qc at rated voltage (kvar) | Capacitor rated voltage (V) | Capacitance (µF) |
|-----------------|-------------------|--------|----------------------|-----------|-------------------------|-------------|----------------------------|-----------------------------|------------------|
| 46188300        | 5                 | 8,3    | 8                    | copper    | 205x170x65              | 13,5        | 6                          | 450                         | 78               |
| 46012910        | 10                | 2,9    | 16                   | copper    | 205x184x68              | 8,6         | 12                         | 450                         | 157              |
| 46012600        | 12,5              | 2,6    | 27                   | copper    | 205x184x98              | 11          | 15                         | 450                         | 196              |
| 46011451        | 20                | 1,45   | 32                   | copper    | 205x184x88              | 9,5         | 24                         | 450                         | 314              |
| 46011452        | 25                | 1,22   | 39                   | copper    | 180x180x170             | 13,6        | 30                         | 450                         | 393              |
| PRG0030DAB57579 | 40                | 0,73   | 64,3                 | aluminium | 320x220x120             | 18          | 54                         | 450                         | 707              |
| PRG0037DAB57692 | 50                | 0,6    | 78                   | aluminium | 320x220x130             | 20          | 66                         | 450                         | 864              |



ALUMINIUM



COPPER



# 6% 400V - 60Hz Reactors

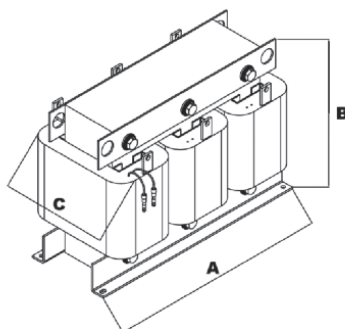
| $U_N$ | f    | $f_N$  | P    |
|-------|------|--------|------|
| 400V  | 60Hz | 215 Hz | 5,4% |



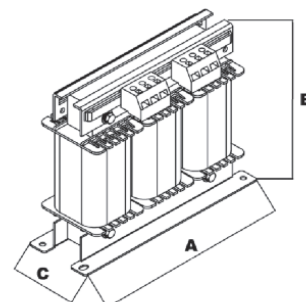
### TECHNICAL CHARACTERISTICS

|                             |   |
|-----------------------------|---|
| Applicable standards        | CEI-EN 60289 IEC 60289  |
| Rated voltages              | 230...700V  |
| Rated frequencies           | 60 Hz   |
| Tolerance of inductance     | ±5% ( mean value across three phases)   |
| Linearity                   | $I_{lin} = 1.6...2.0 I_n$   |
| Insulation (winding-core)   | 3 kV  |
| Temperature class           | F (155°C)   |
| Maximum Ambient Temperature | 40°C  |
| Protection class            | IP00 indoor mounting  |
| Humidity                    | 95%   |
| Cooling                     | natural   |
| Design                      | Three phase, iron core double air gap   |
| Winding material            | Aluminium foil/copper wires   |
| Impregnation                | Polyester resin, class H  |
| Terminals                   | Terminal blocks, or cable lugs.   |
| Temperature Switch          | All reactors are provided with a separate screw terminal for the temperature switch (opening switch) which is located inside every coil |
| Switching temperature       | 140°C   |
| Voltage                     | 250Vac (<5A)  |
| Tolerance                   | ±5K   |

| PART NUMBER     | Qc at 400V (kvar) | L (mH) | I <sub>rms</sub> (A) | Material  | Dimensions (AxBxC) (mm) | Weight (Kg) | Qc at rated voltage (kvar) | Capacitor rated voltage (V) | Capacitance (µF) |
|-----------------|-------------------|--------|----------------------|-----------|-------------------------|-------------|----------------------------|-----------------------------|------------------|
| 46015810        | 5                 | 5,8    | 8                    | copper    | 205x167x68              | 7           | 6                          | 450                         | 78               |
| 46012600        | 10                | 2,6    | 27                   | copper    | 205xx184x98             | 11          | 12                         | 450                         | 157              |
| 46012601        | 12,5              | 1,8    | 26                   | copper    | 180x180x130             | 8           | 18                         | 450                         | 236              |
| 46012602        | 20                | 1,31   | 30                   | copper    | 180x180x140             | 9,7         | 24                         | 450                         | 314              |
| 46012603        | 25                | 1,05   | 44                   | copper    | 180x180x150             | 11,4        | 30                         | 450                         | 393              |
| PRG0037DAB57692 | 40                | 0,6    | 78                   | aluminium | 320x220x130             | 20          | 54                         | 450                         | 707              |
| PRG0035DAB57693 | 50                | 0,45   | 88                   | aluminium | 320x220x130             | 19,5        | 66                         | 450                         | 864              |



ALUMINIUM



COPPER

| $U_N$ | f    | $f_N$  | P  |
|-------|------|--------|----|
| 230V  | 60Hz | 227 Hz | 7% |

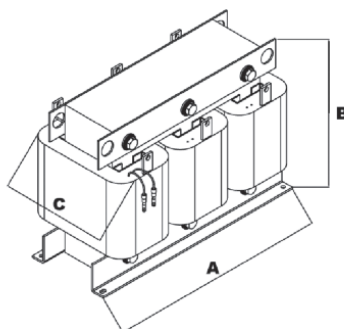
# 7% 230V - 60Hz Reactors



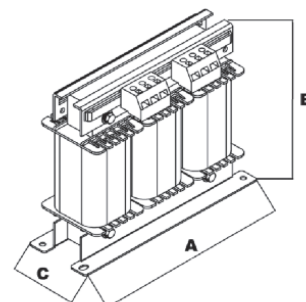
### TECHNICAL CHARACTERISTICS

|                             |   |
|-----------------------------|---|
| Applicable standards        | CEI-EN 60289 IEC 60289  |
| Rated voltages              | 230...700V  |
| Rated frequencies           | 60 Hz   |
| Tolerance of inductance     | ±5% ( mean value across three phases)   |
| Linearity                   | $I_{lin} = 1.6...2.0 I_n$   |
| Insulation (winding-core)   | 3 kV  |
| Temperature class           | F (155°C)   |
| Maximum Ambient Temperature | 40°C  |
| Protection class            | IP00 indoor mounting  |
| Humidity                    | 95%   |
| Cooling                     | natural   |
| Design                      | Three phase, iron core double air gap   |
| Winding material            | Aluminium foil/copper wires   |
| Impregnation                | Polyester resin, class H  |
| Terminals                   | Terminal blocks, or cable lugs.   |
| Temperature Switch          | All reactors are provided with a separate screw terminal for the temperature switch (opening switch) which is located inside every coil |
| Switching temperature       | 140°C   |
| Voltage                     | 250Vac (<5A)  |
| Tolerance                   | ±5K   |

| PART NUMBER     | Qc at 400V (kvar) | L (mH) | I <sub>rms</sub> (A) | Material  | Dimensions (AxBxC) (mm) | Weight (Kg) | Qc at rated voltage (kvar) | Capacitor rated voltage (V) | Capacitance (µF) |
|-----------------|-------------------|--------|----------------------|-----------|-------------------------|-------------|----------------------------|-----------------------------|------------------|
| 46012100        | 5                 | 2,1    | 33                   | copper    | 205x180x113             | 13,3        | 15                         | 400                         | 249              |
| 46012101        | 10                | 1,04   | 35                   | copper    | 180x180x130             | 7,9         | 30                         | 400                         | 497              |
| 46012102        | 12,5              | 0,82   | 37                   | copper    | 180x180x130             | 8           | 12                         | 230                         | 602              |
| PRG0037DAB57692 | 20                | 0,6    | 78                   | aluminium | 320x220x130             | 20          | 54                         | 400                         | 896              |
| PRG0035DAB57693 | 25                | 0,45   | 88                   | aluminium | 320x220x130             | 18,5        | 24                         | 230                         | 1204             |
| PRG0033DAB57694 | 40                | 0,273  | 109                  | aluminium | 320x220x120             | 18,5        | 36                         | 230                         | 1806             |
| PRG0043DAB57695 | 50                | 0,2    | 146                  | aluminium | 320x220x135             | 21,5        | 48                         | 230                         | 2408             |



ALUMINIUM



COPPER



# 5,67% 230V - 60Hz Reactors

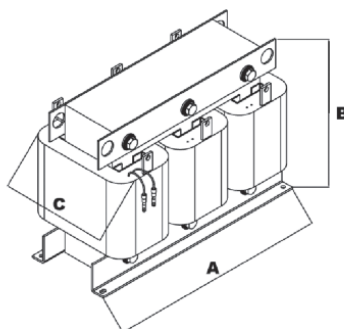
| $U_N$ | f    | $f_N$  | P     |
|-------|------|--------|-------|
| 230V  | 60Hz | 252 Hz | 5,67% |



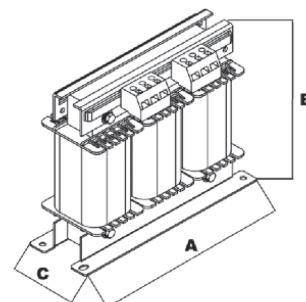
### TECHNICAL CHARACTERISTICS

|                             |   |
|-----------------------------|---|
| Applicable standards        | CEI-EN 60289 IEC 60289  |
| Rated voltages              | 230...700V  |
| Rated frequencies           | 60 Hz   |
| Tolerance of inductance     | ±5% ( mean value across three phases)   |
| Linearity                   | $I_{lin} = 1.6...2.0 I_n$   |
| Insulation (winding-core)   | 3 kV  |
| Temperature class           | F (155°C)   |
| Maximum Ambient Temperature | 40°C  |
| Protection class            | IP00 indoor mounting  |
| Humidity                    | 95%   |
| Cooling                     | natural   |
| Design                      | Three phase, iron core double air gap   |
| Winding material            | Aluminium foil/copper wires   |
| Impregnation                | Polyester resin, class H  |
| Terminals                   | Terminal blocks, or cable lugs.   |
| Temperature Switch          | All reactors are provided with a separate screw terminal for the temperature switch (opening switch) which is located inside every coil |
| Switching temperature       | 140°C   |
| Voltage                     | 250Vac (<5A)  |
| Tolerance                   | ±5K   |

| PART NUMBER     | Qc at 400V (kvar) | L (mH) | I <sub>rms</sub> (A) | Material  | Dimensions (AxBxC) (mm) | Weight (Kg) | Qc at rated voltage (kvar) | Capacitor rated voltage (V) | Capacitance (µF) |
|-----------------|-------------------|--------|----------------------|-----------|-------------------------|-------------|----------------------------|-----------------------------|------------------|
| 460120103       | 5                 | 1,6    | 15                   | copper    | 180x180x120             | 5,7         | 15                         | 400                         | 249              |
| 460120104       | 10                | 0,82   | 37                   | copper    | 180x180x130             | 8,2         | 30                         | 400                         | 497              |
| 460120105       | 12,5              | 0,66   | 36                   | copper    | 180x180x120             | 6,8         | 12                         | 230                         | 602              |
| PRG0035DAB57693 | 20                | 0,45   | 88                   | aluminium | 320x220x130             | 19,5        | 54                         | 400                         | 896              |
| PRG0024DAB57696 | 25                | 0,282  | 86                   | aluminium | 320x220x115             | 16          | 24                         | 230                         | 1204             |
| PRG0026DAB57697 | 40                | 0,22   | 108                  | aluminium | 320x220x120             | 16,5        | 36                         | 230                         | 1806             |
| PRG0035DAB57698 | 50                | 0,167  | 144                  | aluminium | 320x220x130             | 19,5        | 48                         | 230                         | 2408             |

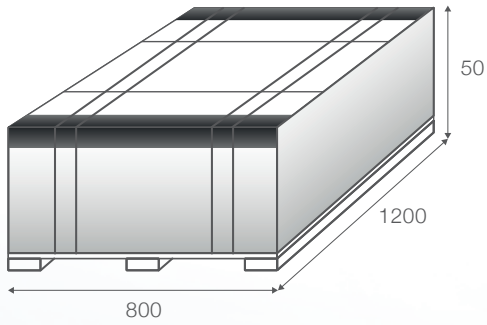


ALUMINIUM



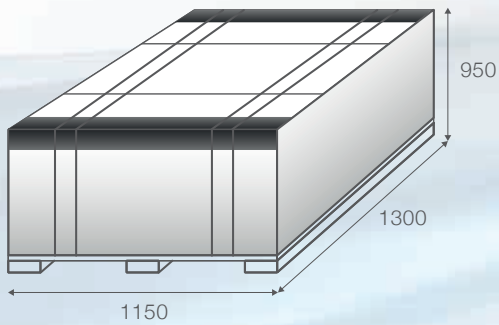
COPPER

# Packing details: Reactors



## PALLET

| Reactor type      | Reactors per package |
|-------------------|----------------------|
| Copper winding    | 20                   |
| Aluminium winding | 16                   |



## WOODEN BOX

| Reactor type      | Reactors per package |
|-------------------|----------------------|
| Copper winding    | 90                   |
| Aluminium winding | 72                   |

# Reactive power regulators and protections



The reactive power regulator is, together with the capacitors and reactors (in detuned filter cabinets), the key component of the automatic power factor correction system. It is in fact the "intelligent" element, responsible for the verification of the power factor of the load, in function of which controls the switching on and off of the capacitors batteries in order to maintain the power factor of the system beyond the target. The reactive power regulators RPC are designed to provide the desired power factor while minimizing the wearing on the banks of capacitors, accurate and reliable in measuring and control functions are simple and intuitive in installation and consultation. The flexibility of ICAR regulators allows you to modify all the parameters to customize its operation to fit the actual characteristics of the system to be corrected (threshold power factor, sensitivity of step switching, reconnecting time of the steps, presence of photovoltaics, etc.).

## RPC 8BGA reactive power regulator

The RPC 8BGA reactive power regulator equips MULTimatic automatic power factor correction systems.

It is a very innovative controller, with exclusive features:

- High electrical performance
- Extended Capabilities
- Graphic display
- Advanced communication
- Upgradability, even after installation
- Powerful supervision software

More details below, referring to the following page tables and manuals for further information.

**High electrical performance:** The 8BGA controller is equipped with powerful hardware, which allows a considerable electrical performances: it can be connected to the CT secondary 5A or 1A, it can work on networks with voltages from 100 to 600Vac with a measuring range from 75VAC to 760VAC, it can be connected to a single CT (typical configuration of the power factor correction) or three-CTs (for a more accurate measurement of the power factor, and this fact makes the 8BGA controller to refocus and to be a multimeter as well).

**Extended Capabilities:** The 8BGA reactive power regulator is controlled by a powerful microprocessor that allows a set of new functions to solve problems even in complex plant. 8BGA can work master-slave functions, handles up to 10 languages simultaneously, can be used in MV systems managing the transformation ratio of the VT, it can support multiple inputs and outputs via optional modules, it can handle target cos phi from 0.5 inductive to 0.5 capacitive. 8BGA can build a network of 4 wired units (one master three slaves) to be able to handle up to 32 steps of power factor correction in a consistent and uniform way.

**Graphical display with high readability:** forget the regulators with small displays and difficult to read: 8BGA will amaze you with its display matrix graphic LCD 128x80 pixels. The detail and sharpness allow intuitive navigation between the different menus, represented with text and icons.

**Advanced communication:** 8BGA born to be a regulator able to communicate in a manner in line with the latest technology: Ethernet, RS485, GSM / GPRS modem, USB, WIFI. Now you can see the information of the company cos phi, without having to go in front of the regulator. It will be the controller to inform you by posting, if you wish, SMS or email. Or you can consult a tablet, a smartphone, or PC. The information about the cos phi is important, because it impacts heavily on the company's income statement.

**Evolutivity:** the "basic" 8BGA regulator can be enhanced with up to four additional modules "plug and play" which greatly expands its performance. And 'possible to add additional control relays (up to a total of 16), even for a static control (thyristors), digital and analog inputs, analog outputs, communication modules. Your controller can become a small PLC, and the PFC system can become a point of data aggregation, for remote communication.

## Measurement functions and help to maintain

8BGA is a real evolved multimeter, thanks also to the graphic display of excellent readability and to the powerful microprocessor . The measured parameters are the basic ones (cos phi, FP, V, I, P, Q, A, Ea, Er) with the addition of the distortion of the voltage and current (THD, histogram of the value of each harmonic, waveform graphic visualization). If 8BGA is connected to three CT, the harmonic analysis is detailed for each phase, in order to identify any anomalies of single phase loads. 8BGA measure and count values that can help in ruling the PFC (temperature, number of switching of each step). 8BGA also suggests the maintenance to be carried out by means of simple messages on the display. Keep efficient capacitor becomes much easier. 8BGA stores the maximum values of current, voltage, temperature, each associated with the date and time of the event for a better analysis of what happened.

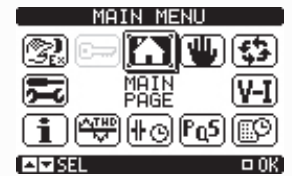
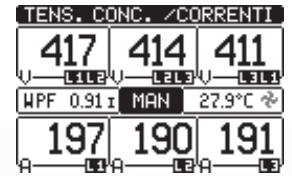
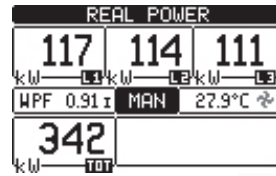
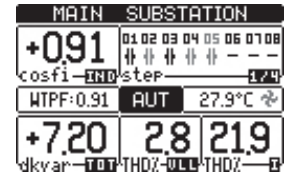
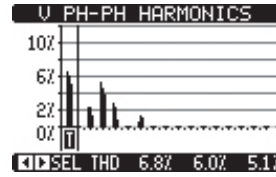
## Alarms

The set of alarms (maximum and minimum voltage, maximum and minimum current, over and under-compensation, overload of the capacitors, maximum temperature, microinterruption) associated with the readability of the messages on the display allows a better understanding of what happened. Even alarm programming (enable / disable, delay, relapse etc.) is easier and faster.

# 8BGA Power Factor Correction Controller: technical parameters

## CHARACTERISTICS

- Supply Voltage: 100÷440Vac
- Frequency: 50Hz/60Hz
- Voltage Measuring range: 100÷690V (-15% / +10%)
- Current Measuring range: 5A (1A selectable)
- Current incoming range: from 25mA to 6A (from 10mA to 1,2A)
- Automatic phase sequence reading: yes
- Compensation in cogeneration: yes
- Burden: 12 VA (10,5W)
- Output relay current: 5A – 250Vac
- Cos  $\phi$  range: from 0,5 ind to 0,5 cap
- Tan  $\phi$  range: from -1,732 to + 1,732
- Step switching time: 1s÷1000s (20ms in case of STR4NO)
- Alarm relay: yes
- Degree of protection: IP55
- Working temperature range: from -30°C to +70°C
- Storage temperature range: from -30°C to + 80°C
- USB optic communication port (with COMUSB)
- Temperature Control: from -30°C to +85°C
- Standards compliance: IEC EN 61010-1; IEC/EN 61000-6-2; IEC/EN 61000-6-3; UL508; CSA C22-2 n°14
- Step output relays: 8 (expandable till 16, see expandability table)
- Dimensions: 144x144mm
- Weight: 0,98kg
- Part number: A25060046411000



Selection, modification and enter push buttons.

LED watchdog and alarm

Graphic display 128x80 pixel

USB – WIFI Optic netport

**new**

## RPA 8BGA Power Factor Correction Controller: additional modules

The RPC 8BGA controller accommodates up to 4 additional modules "plug & play".

Once you have added an additional module, the controller recognizes and activates the menu for its programming.

Additional modules can also be installed in the rear.

### Digital inputs and outputs

These modules allow you to increase the contacts funding for control of the steps to contactors (OUT2NO form) or thyristors (module STR4NO) switched banks, or to add inputs and / or digital / analog acquisition of parameters and implementing simple logic by the regulator.

- OUT2NO module 2 digital outputs to control additional steps (two relays 5A 250 Vac)
- STR4NO module 4 static outputs for control steps thyristor (range SPEED)
- INP4OC module 4 digital inputs
- 2IN2SO module 2 digital inputs and 2 static outputs
- INP2AN module 2 analog inputs
- OUT2AN module 2 analog outputs



### Protection functions and data logging

The control and protection module MCP5 allows a more detailed inspection of the electrical parameter that can damage the capacitors, thanks to algorithms particularly suitable for equipment consisting of capacitors and inductors (detuned filters MULTImatic FH20, FH30, FD25, FD25V, FD35, FH70, FD70).

The data logging module adds the ability to orodatate events, for a better understanding and diagnosis of troubled plant.

- MCP5 module for protection and control for additional security capacitors especially suitable in the banks detuned
- DATLOG data logger module with real time clock and battery backup for data retention

### Communication functions

RPC 8BGA regulator is very powerful in terms of communication.

The modules dedicated to these functions allow multiple solutions to remotely control the power factor of the system and all other variables measured, calculated or obtained from the instrument.

- COM232 isolated RS232 interface
- COM485 RS485 opto-isolated
- WEBETH Ethernet interface with webserver function
- COMPRO isolated Profibus-DP interface
- COMGSM GPRS / GSM modem
- CX01 cable connection from the RPC 8BGA optical port to the USB port of the computer for programming, downloading / uploading data, diagnostics etc..
- CX02 device to connect the optical port in the PRC 8BGA via WIFI: for programming, downloading / uploading data, diagnostics etc..
- CX03 antenna quad band GSM (800/900/1800)



### App<sup>1</sup>

App available for WIFI interfacing with the RPC 8BGA controller via tablet or smartphone. For iOS and Android.

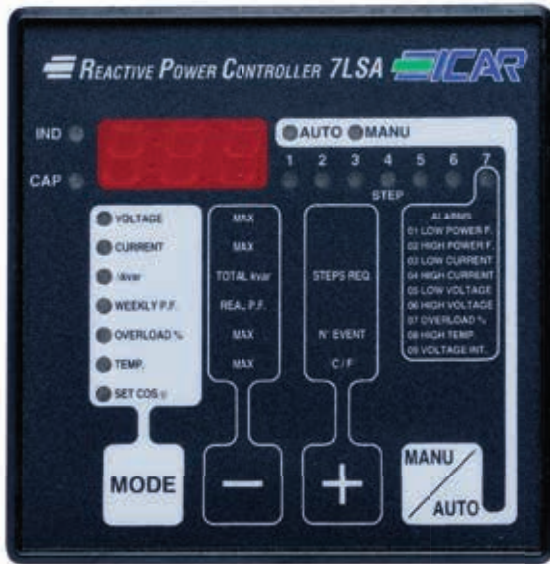
You have the following functions:

- Set of up regulator
- Sending commands
- Reading information
- Download information and data residing on board
- Calculation of the economic benefit brought by the capacitor in terms of penalties in the bill

1. Availability: January 2014







RPC 5LSA e 7LSA

## RPC 5LSA and 7LSA reactive power regulators

The RPC 5LSA/ 7LSA reactive power regulators equip MicroMatic, Minimatic, MIDmatic, automatic power factor correction systems. They are managed by a microprocessor systems. They offer many features while maintaining a simple way of consultation, either locally or from a PC via RS232 serial port to which they are fitted as standard.

They offer a flexibility of use, are in fact able to adjust the power factor between 0,8 inductive to 0,8 capacitive, and to operate in cogeneration plants; offer standard temperature control and the ability to set one of available output relays for activating visual alarms/sound at distance.

The RPC 5LSA 7LSA regulators can operate in automatic or manual mode.

In the first case acting in complete autonomy switching on and disconnecting the steps available until reaching the desired power factor; in the second case will be the operator to force the switching and disconnection of the steps: the regulator, however, will monitor operations to prevent potential damage to the capacitors (such as verifying compliance with the discharge times before a new switching).

### Measurement functions

The PRC 5LSA and 7LSA regulators provide numerous standard measurements to verify and monitor the proper electrical and climatic conditions of the power factor correction system.

On the front panel display shows the following parameters: voltage, current, delta kvar (reactive power missing to achieve the target power factor), average weekly power factor, current harmonic distortion rate in% (THDi%) of the capacitors, temperature inside the bank.

The controller stores and makes available for browsing the maximum value of each of these variables, to assess the most severe stress suffered by the automatic power factor correction system since the last reset: the temperature, voltage, and the total harmonic distortion have a strong impact on capacitors because if kept beyond the nominal values can drastically reduce the life expectancy.

The 5LSA and 7LSA regulators are able to measure the actual reactive power supplied by the individual batteries, in order to adapt to their value in the choice of the exploitation logic: this feature is very useful for power factor correction systems in operation for several years and then with worn capacitors that provide a reactive power lower than the nominal value.

By connecting the RS232 serial port, you can have access to other important information relevant to the assessment of the system state and to schedule routine or extraordinary maintenance such as checking / replacement of contactors. These parameters are:

- the number of operations performed by each step
- the number of hours of operation for each bank

### Alarms

The PRC 5LSA and 7LSA regulators offer as standard nine different alarms, which help in the proper running of the system. These are set on the following metrics:

- Under-compensation: The alarm is activated if, with all the steps of power factor correction are on, the power factor is less than the desired value
- Overcompensation: The alarm is activated if, with all the steps of power factor correction switched off, the power factor is greater than the desired value
- Minimum and maximum current: to assess the condition of the system load
- Minimum and maximum voltage: to evaluate the stresses due to the variations of the supply voltage
- Maximum THD%: to assess the pollution of network as regards to harmonic currents
- Maximum temperature in the enclosure: to monitor the capacitor climatic conditions
- Microinterruption of the mains voltage.

For the interpretation of the meaning of each alarm, refer to the technical info n ° 5 available on the website [www.icar.com](http://www.icar.com) in the download section dedicated to industrial LV power factor correction.

### LED Indications

The LEDs on the controller display provide the following information for quick identification of the operating status of the system:

- operating mode automatic / manual
- status of each step (on / off)
- recognition lagging leading power factor
- type of value displayed
- Active alarm code.

### Contacts

The regulators have the output contacts for control of the steps, for the control of cooling fan, and for triggering remote alarms; contacts can be programmed with logic NO or NC and have a capacity of 5A at 250Vac or 1.3 at 415 Vac.

# RPC 5LSA and 7LSA Power Factor Correction Controller: Data sheet

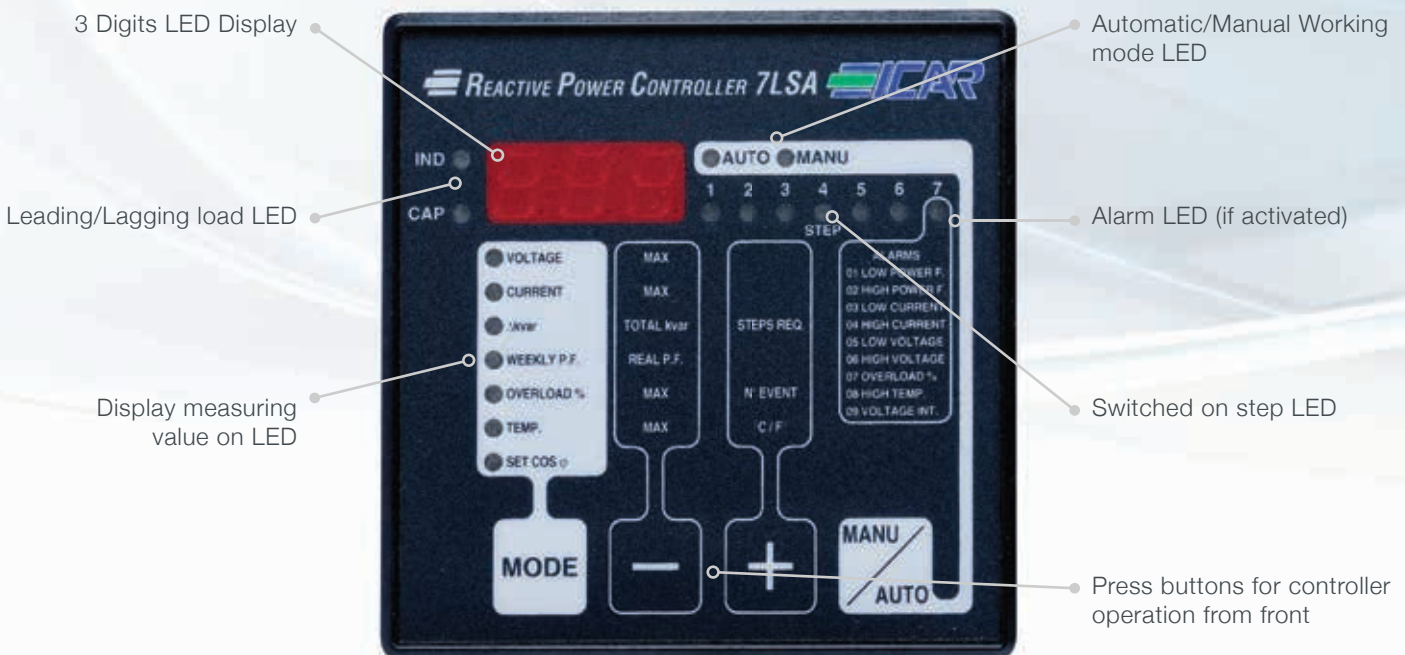
## COMMON CHARACTERISTICS

- Control: microprocessor
- Supply voltage: 380-415Vac (others upon request)
- Frequency: 50Hz/60Hz
- Voltage measuring input: same as supply voltage
- Current measuring input: 5A (1A upon request)
- Automatic current way sensing: yes
- Compensation in cogeneration plants: yes
- Burden: 6,2 VA
- Output relay current: 1,3A – 415Vac; 5A – 250Vac
- Cos  $\phi$  range: from 0,8 ind to 0,8 cap
- Step Switching time: 5s ÷ 600s
- Alarm relay: yes
- Front degree of protection: IP54
- Temperature working range: from -20°C to +60°C
- Storage Temperature: from -30°C to + 80°C
- Communication: port RS232-TTL
- Integrated temperature sensor and control
- Compliance: IEC 61010-1; IEC 50081-2; IEC 50082-2



RPC 5LSA e 7LSA

| OTHER CHARACTERISTICS   | RPC 5LSA        | RPC 7LSA        |
|-------------------------|-----------------|-----------------|
| Number of output relays | 5               | 7               |
| Weight                  | 0,44 kg         | 0,46kg          |
| Part number             | A25060046413052 | A25060046413070 |



# Thyristor Switches



Thyristor switched capacitor bank is the best and sometimes the sole choice when it is necessary to compensate loads over short periods of time. Examples are steel companies, lifting apparatus (cranes, quay cranes, etc), cable makers (extruders, etc), welding machines, robots, compressors, skiing lift stations, LV industrial networks (chemical plants, paper mills, automotive suppliers). Thyristor switched capacitor bank are also an ergonomic solution where noise can be problematic, like hotels, banks, offices, service infrastructures (telecommunications board, informatics 'boards, hospitals, malls).

### Limits of the traditional contactor switched banks

- High inrush current and over voltages
- Risk of over voltages due to the arc breaking
- Longer reconnecting time: more than 30 sec
- More demanding maintenance compared with static switches.

### General advantages of Power Factor Correction

- Reduced losses on mains and power transformers
- Increase of plant available power
- Less voltage drop in the plant

### Thyristor switched capacitor bank benefits include:

- Minimises network disturbances such as Voltage Drop and Flicker
- No moving parts therefore reduced maintenance (i.e. no Electro-magnetic contactors)
- Enhanced capacitor life expectancy.

In general there is a comprehensive PLANT EFFICIENCY; because power factor correction is fast, the power transformer and line design can be done considering only the actual load.

Therefore longer working life and reliability of plant.

Static switches allow unlimited operations.

Steps switching is also done limiting transient phenomena that inside normal plants stresses the capacitors reducing their working life.

## General Characteristics

**ICAR SYNCHRO FAST SWITCH FEATURES are described below:**

- Switching speed: 60ms
- Electronic components: SCR
- Connectable power: up to 100kvar-400/415V
- Possibility to switch capacitors without reactor
- Fan dedicated to the cooling radiator
- Protection circuit with signalling LED

### Further ADVANTAGES

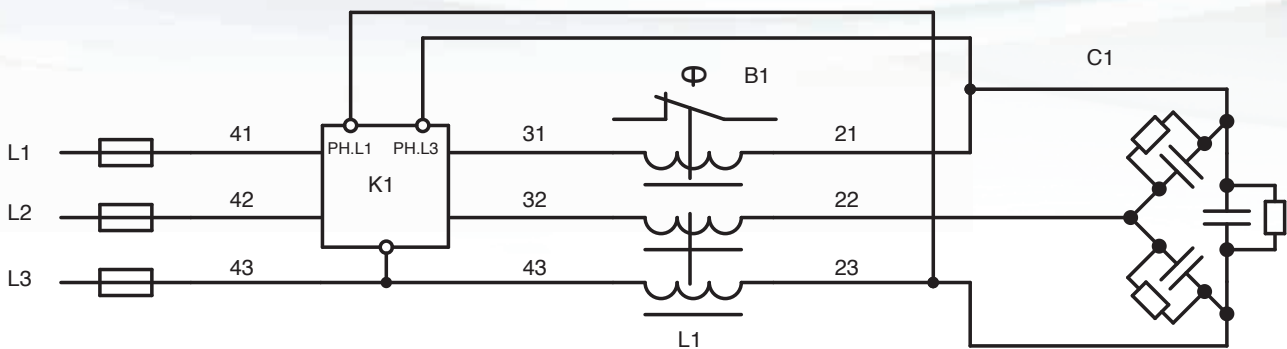
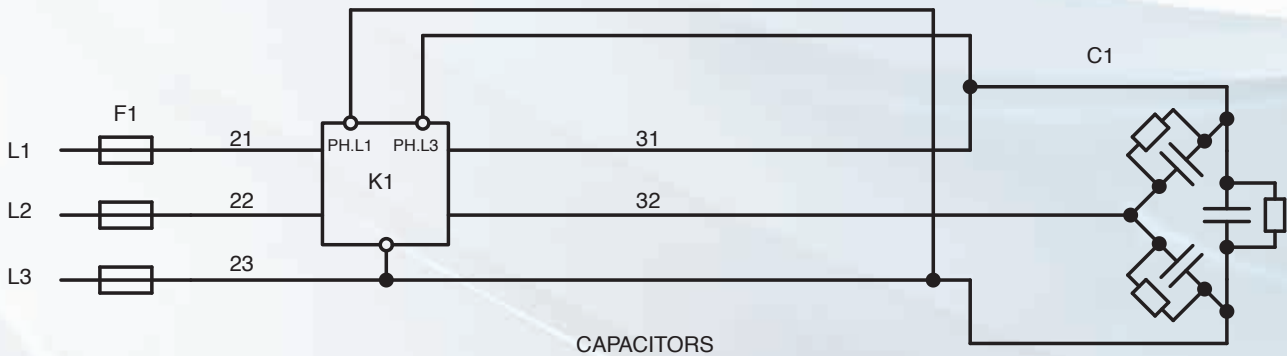
- 1 Possibility to use SFS with ICAR RPE 12BTA regulator.
- 2 The control technology adopted doesn't allow switching that could generate self damage.
- 3 Very small dimensions.
- 4 High temperature protection.
- 5 Protection from high speed switching.
- 6 SFS doesn't need any external supply.

# TECHNICAL DATA SHEETS AND TABLES

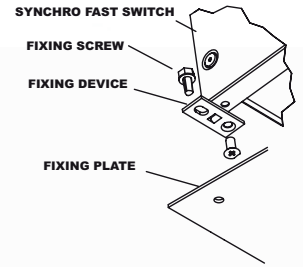
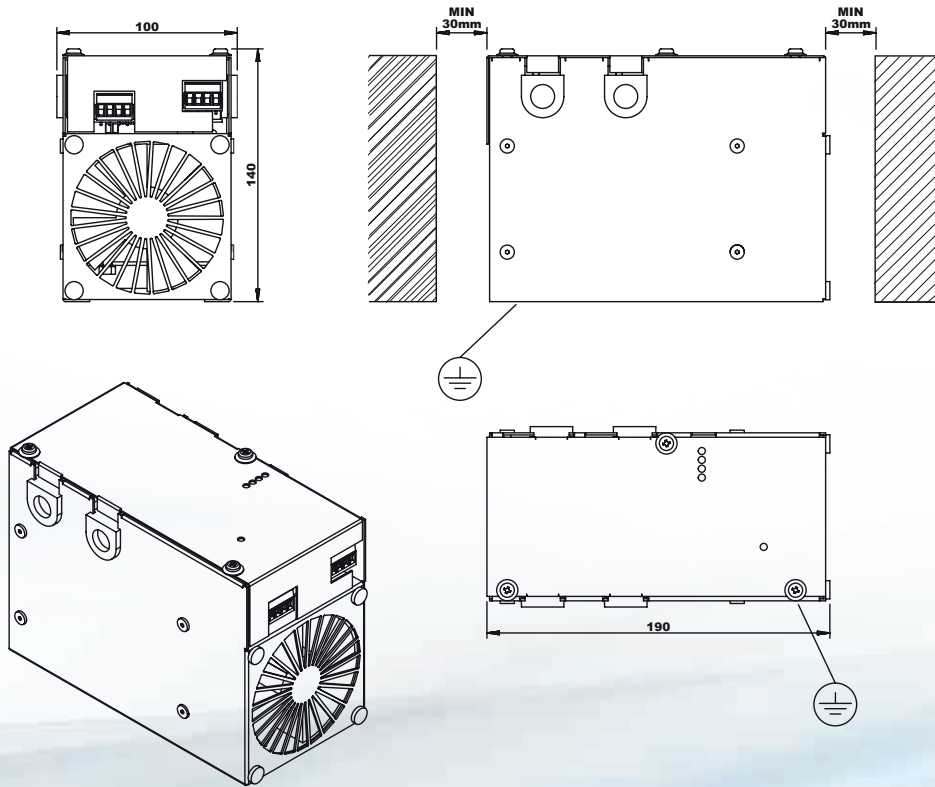
| TECHNICAL CHARACTERISTICS     |  |
|-------------------------------|--|
| Voltage                       | 400-415V   |
| Frequency                     | 50Hz (60Hz on request)   |
| Activation                    | Using external contact voltage free (type SSR Bi-directional opto-mos recommended); no need for 24Vdc  |
| Fuse (not included)           | NH00 Super Fast  |
| Duty cycle max speed          | 60ms ON – 60ms OFF   |
| Power circuit                 | L1-L2: 25mm <sup>2</sup> for SFS50/HS and SFS50B/HS (L3: 2,5mm <sup>2</sup> on the main supply side only)<br>L1-L2: 50mm <sup>2</sup> for SFS80/HS (L3: 2,5mm <sup>2</sup> on the main supply side only) |
| Operating ambient temperature | 0÷50°C   |

| PART NUMBER     | Identification | Switching Power [Capacitors] | Switching Power [Capacitors and Reactors] | Dimensions (mm) [WxHxD] | Weight (kg) |
|-----------------|----------------|------------------------------|---|-------------------------|-------------|
| A25060043842751 | SFS50/HS       | 60kvar                       | 38kvar                                    | 195x140x100 (81)        | 3,5 Kg      |
| A25060043842754 | SFS50B/HS      | -                            | 50kvar                                    | 236x140x125 (82)        | 5,5 Kg      |
| A25060043843150 | SFS80/HS       | 100kvar                      | 80kvar                                    | 236x140x125 (82)        | 5,7 Kg      |

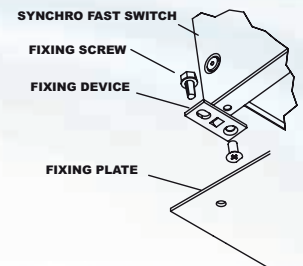
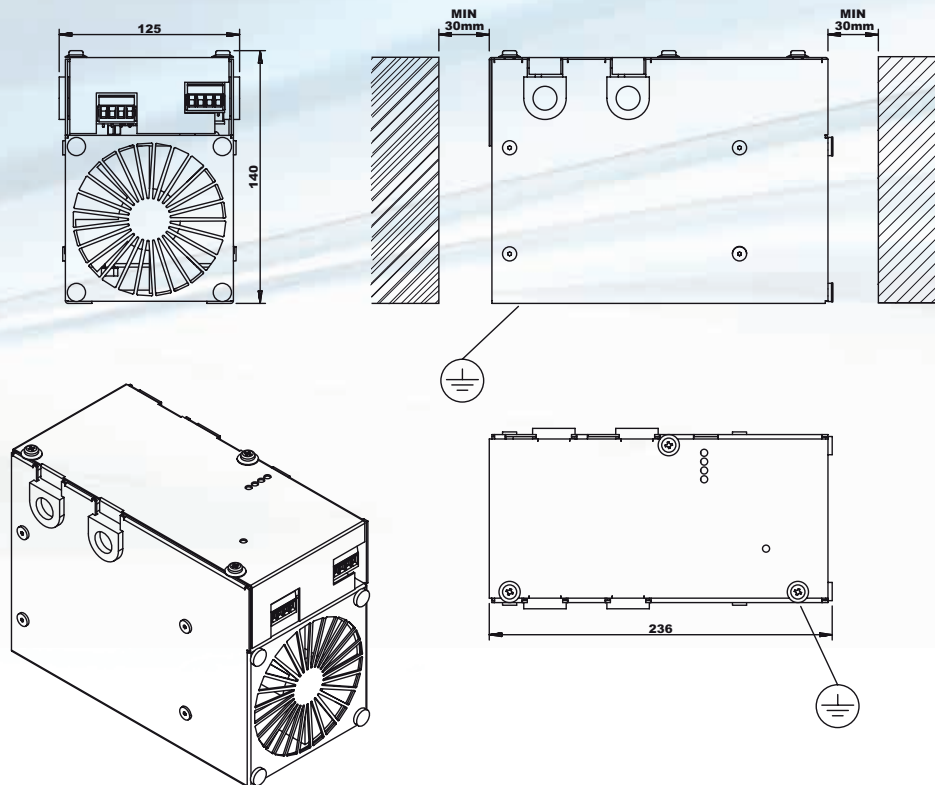
## CONNECTING DIAGRAM



# THYRISTOR SWITCHES



81



82

# Fast Discharge device RPD 3A

## GENERAL CHARACTERISTICS

Fast Discharge Resistor RPD 3A is designed to discharge power capacitors within few seconds. It can be used with rated network voltage up to 400V and frequency 50 or 60Hz. The highest capacitor bank power it can deal with is 75 kvar and its discharge time till residual capacitor voltage of 50V is 3 seconds.

Several discharge times till residual capacitor voltage of 50V are shown in table below. They are shown for 230V and 400V capacitor rated voltage and frequency of 50 and 60 Hz.

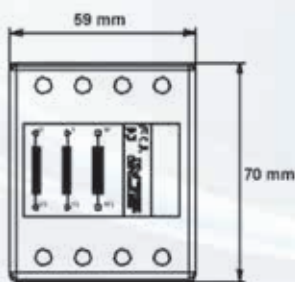


| Q (kvar) | 230V - 50Hz (seconds) | 230V - 60Hz (seconds) | 380V - 60Hz (seconds) | 400V - 50Hz (seconds) | 400V - 60Hz (seconds) |
|----------|-----------------------|-----------------------|-----------------------|-----------------------|-----------------------|
| 5        | 0.5                   | 0.4                   | 0.2                   | 0.2                   | 0.2                   |
| 10       | 0.9                   | 0.8                   | 0.4                   | 0.4                   | 0.3                   |
| 12,5     | 1.1                   | 1.0                   | 0.4                   | 0.5                   | 0.4                   |
| 20       | 1.8                   | 1.5                   | 0.7                   | 0.8                   | 0.7                   |
| 25       | 2.3                   | 1.9                   | 0.9                   | 1.0                   | 0.8                   |
| 40       | 3.7                   | 3.1                   | 1.4                   | 1.6                   | 1.3                   |
| 50       | 4.6                   | 3.8                   | 1.8                   | 2.0                   | 1.6                   |
| 75       | 6.9                   | 5.7                   | 2.7                   | 3.0                   | 2.5                   |

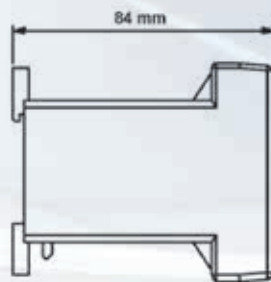
## TECHNICAL CHARACTERISTICS

- Working voltage: 200÷400V
- Frequency: 50/60Hz
- Service: continuous
- Phases: 3
- Working temperature: -5/+40°C
- Degree of protection: IP20
- Weight: 0,4Kg

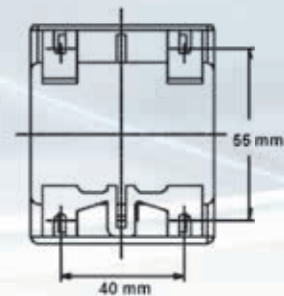
## DIMENSIONS



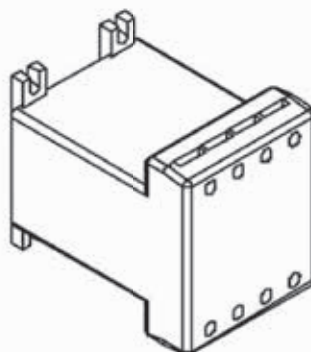
FRONT VIEW



SIDE VIEW

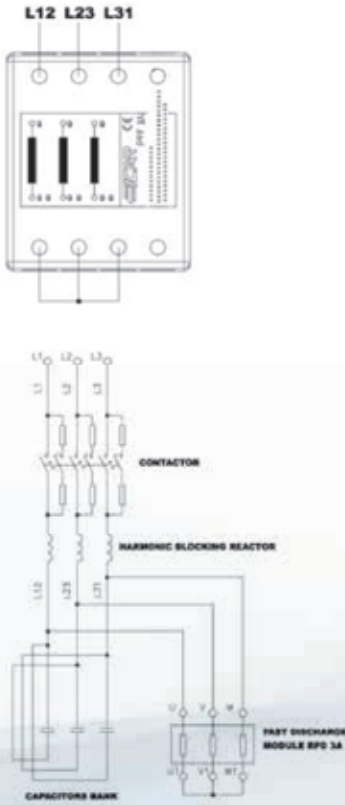


REAR VIEW (FIXING DETAILS)

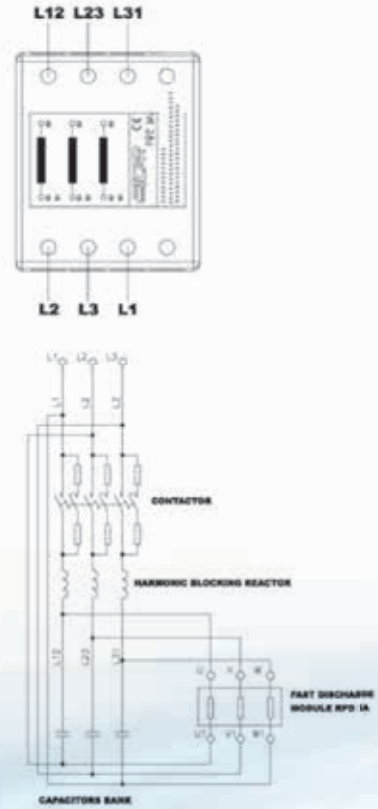


# CONNECTING DIAGRAMS

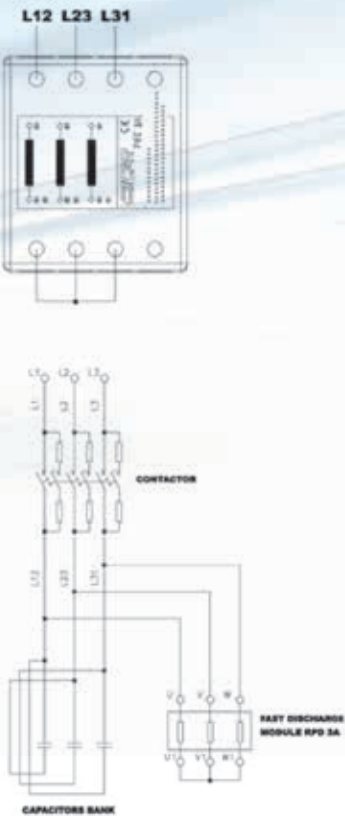
**CONTACTOR OUTSIDE TO THE CAPACITORS DELTA CONNECTION ( SINGLE PHASE OR THREE PHASE CAPACITORS)**



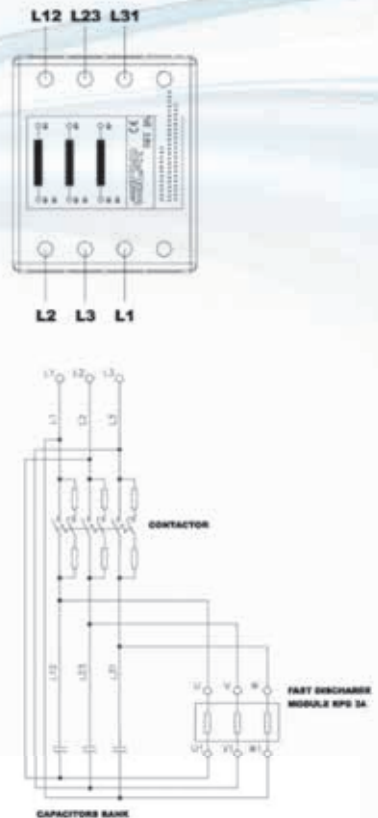
**CONTACTOR INSIDE TO THE CAPACITORS DELTA CONNECTION ( SINGLE PHASE CAPACITORS ONLY)**



**CONTACTOR OUTSIDE TO THE CAPACITORS DELTA CONNECTION ( SINGLE PHASE OR THREE PHASE CAPACITORS)**



**CONTACTOR INSIDE TO THE CAPACITORS DELTA CONNECTION ( SINGLE PHASE CAPACITORS ONLY)**



# EUORack TRAYS

## GENERAL CHARACTERISTICS

EUORack system is ideal solution for OEM and switchgears manufacturers, they are indeed suitable to the most common switchgears sizes, in addition:

- EUORack is compact and with high power density,
- EUORack is available detuned and not detuned,
- Powers from 12,5 kvar to 100kvar in a single tray.
- Bus bars suitable to bear up to 400kvar detuned or not detuned.
- Easy to assembly as power bus bars and NH fuses are incorporated in the tray support.

EUORacks are sound for plants where the current Total Harmonic Distortion is as much as 100% (detuned FH30). EUORacks are equipped with ICAR high energy density metallised polypropylene capacitors which assure elevated performances with low losses and small dimensions.



## DESIGN FEATURES

Every tray is complete of:

- Capacitor Duty Contactors (230Vac coil).
- Self-extinguish cable harness according to EN 50267-2-1 standards.
- Three-phase fuse holder type NH00
- Power fuses NH00-gG
- Three phase self-healing polypropylene capacitors with 525V rated voltage (FH only).
- Three-phase tinned copper bus bar system
- Discharge resistors.
- Three phase detuning chokes (FH only) with dedicated frequency detuning; each coil winding temperature sensor and NC switch.
- All components inside these products are compliant with EU Safety Regulations

## STANDARD ACCESSORIES

(supplied along with each tray)

- Side rack support brackets, suitable for 600-400 mm depth cabinets
- Connecting tinned copper bars and bolts,
- IP20 plexiglass protection.

## OPTION

- Adaptation bracket, for fitting of 600 mm width trays in 800 mm width cabinets, and 800 mm width trays in 1000 mm width cabinets.

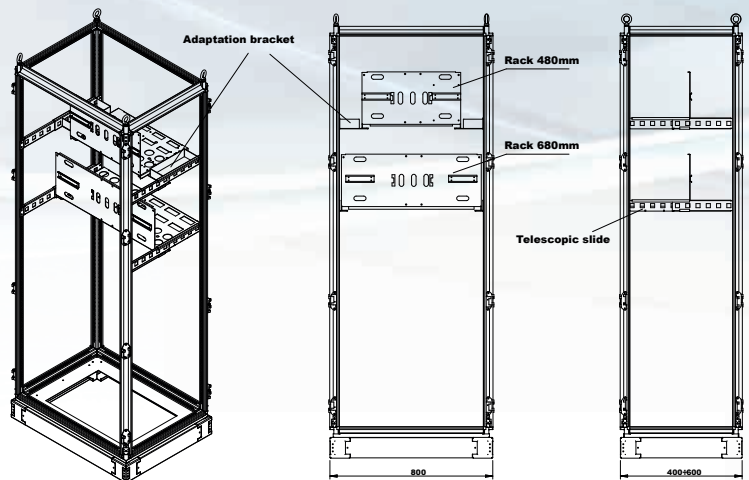
## CABINET FITTING

EUORacks FH trays are easy to fit inside any standard cabinet thanks to sliding and adjustable side supports. These brackets enable EUORacks to be used in variable dept cabinet, i.e. 400 mm (HP only) and 600 mm.

Furthermore thanks to extensible brackets, 480 mm width racks could be also fitted in 800 mm width cabinet (see drawing below), allowing a very flexible combination of steps and total reactive power.

The maximum reactive power the bus bar system can bear is 400kvar 415V 50Hz, both detuned and not detuned. Extensions of additional trays is possible at any time.

Every rack auxiliary and control component is supplied already wired to the terminal board, which is available on a DIN rail of any tray support.





| $U_e$    | $U_N$ | $U_{MAX}^1$ | f     | THDI <sub>R</sub> % |
|----------|-------|-------------|-------|---------------------|
| 400-415V | 415V  | 455V        | 50 Hz | ≤10%                |


**TECHNICAL CHARACTERISTICS**

|   |                                  |
|---|----------------------------------|
| Rated operational voltage               | $U_e = 400-415V$                 |
| Rated frequency                         | 50 Hz                            |
| Max current overload $I_n$ (tray)       | $1.3 \times I_n$                 |
| Max voltage overload $V_n$ (bank)       | $1.1 \times V_n$                 |
| Max current overload $I_n$ (capacitors) | $2 \times I_n$                   |
| Max current overload $V_n$ (capacitors) | $1,3 V_n$                        |
| Insulating voltage (bank)               | 690V                             |
| Capacitors insulating level             | 3/15kV                           |
| Temperature range                       | -25/+55°C                        |
| Discharge resistors                     | on each capacitor                |
| Use                                     | indoor                           |
| Service                                 | continuo/continuous              |
| Capacitors connection                   | delta                            |
| Switching devices                       | Capacitor duty contactors (AC6b) |
| Total Tray losses                       | 2 W/kvar                         |
| Capacitor Dielectric losses             | 0,2 W/kvar                       |
| Inner surface finish                    | zinc passivation                 |
| Tray Applicable standards               | IEC 60439-1/2 IEC 61921-1        |
| Capacitor Applicable standards          | IEC 60831-1/2                    |

**Main characteristics**

Power factor correction banks indicated for the plants where the current harmonic distortion, without capacitors installed, has values lower than 10%. Use of high energy density metallised polypropylene capacitors assures elevated performances, high resistance to strong voltage overload, low losses and small dimensions.

**Generalities:**

- Contactors with damping resistors to limit capacitors' inrush current (230Vac coil).
- N07V-K self-extinguish cable according to IEC 20/2212 – IEC 50267-2-1 standards.
- Three-phase fuse holder type NH00
- Power fuses NH00-gG
- $3U_1$  three phase self-healing polypropylene capacitors with 415V rated voltage.
- Discharge devices.
- Degree of protection: IP20

All components inside this products are compliant with EU Safety Regulations.

| PART NUMBER     | POWER<br>$U_N = 415V$<br>(kvar) | POWER<br>$U_N = 415V$<br>(kvar) | POWER<br>$U_e = 400V$<br>(kvar) | STEPS<br>$U_e = 400V$<br>(kvar) | DIM IP20<br>WxHxD<br>(mm) | OVERALL<br>DRAWING |
|-----------------|---------------------------------|---------------------------------|---------------------------------|---------------------------------|---------------------------|--------------------|
| IY0AKK225050359 | 25                              | 25                              | 25                              | 25                              | 480x275x340               | 93, 95             |
| IY0AKK250050359 | 50                              | 50                              | 50                              | 2x25                            | 480x275x340               | 93, 95             |
| IY0AKK275050359 | 75                              | 75                              | 75                              | 3x25                            | 480x275x340               | 93, 95             |
| IY0AKK310050359 | 100                             | 100                             | 100                             | 4x25                            | 480x275x340               | 93, 95             |
| IY0AKK312550359 | 125                             | 125                             | 125                             | 5x25                            | 680x275x336               | 94, 96             |
| IY0AKK315050359 | 150                             | 150                             | 150                             | 6x25                            | 680x275x336               | 94, 96             |

$U_e$ : power factor correction bank working voltage

$U_N$ : capacitors rated voltage

$U_{MAX}$ : capacitor admissible maximum voltage

THDI<sub>R</sub>%: current total harmonic distortion of the plant

# HP20

| U <sub>e</sub> | U <sub>N</sub> | U <sub>MAX</sub> <sup>1</sup> | f     | THDI <sub>R</sub> % |
|----------------|----------------|-------------------------------|-------|---------------------|
| 400-415V       | 450V           | 445V                          | 50 Hz | ≤18%                |



| TECHNICAL CHARACTERISTICS                        |                                  |
|--|----------------------------------|
| Rated operational voltage                        | U <sub>e</sub> = 400-415V        |
| Rated frequency                                  | 50Hz                             |
| Max current overload I <sub>n</sub> (tray)       | 1.3xI <sub>n</sub>               |
| Max voltage overload V <sub>n</sub> (bank)       | 1.1xV <sub>n</sub>               |
| Max current overload I <sub>n</sub> (capacitors) | 2xI <sub>n</sub>                 |
| Max current overload V <sub>n</sub> (capacitors) | 1,3 V <sub>n</sub>               |
| Insulating voltage (bank)                        | 690V                             |
| Capacitors insulating level                      | 3/15kV                           |
| Temperature range                                | -25/+55°C                        |
| Discharge resistors                              | on each capacitor                |
| Use  | indoor                           |
| Service  | continuo/continous               |
| Capacitors connection                            | delta                            |
| Switching devices                                | Capacitor duty contactors (AC6b) |
| Total Tray losses                                | 2 W/kvar                         |
| Capacitor Dielectric losses                      | 0,2 W/kvar                       |
| Inner surface finish                             | zinc passivation                 |
| Tray Applicable standards                        | IEC 60439-1/2 IEC 61921-1        |
| Capacitor Applicable standards                   | IEC 60831-1/2                    |

## Main characteristics

Power factor correction banks indicated for the plants where the current harmonic distortion, without capacitors installed, has values lower than 18%. Use of high energy density metallised polypropylene capacitors assures elevated performances, high resistance to strong voltage overload, low losses and small dimensions.

## Generalities:

- Contactors with damping resistors to limit capacitors' inrush current (230Vac coil).
- N07V-K self-extinguish cable according to IEC 20/2212 – IEC 50267-2-1 standards.
- Three-phase fuse holder type NH00
- Power fuses NH00-gG
- 3U<sub>1</sub> three phase self-healing polypropylene capacitors with 450V rated voltage.
- Discharge devices.
- Degree of protection: IP20

All components inside this products are compliant with EU Safety Regulations.

| PART NUMBER     | POWER<br>U <sub>N</sub> =450V<br>(kvar) | POWER<br>U <sub>e</sub> =415V<br>(kvar) | POWER<br>U <sub>e</sub> =400V<br>(kvar) | STEPS<br>U <sub>e</sub> =400V<br>(kvar) | DIM IP20<br>WxHxD<br>(mm) | OVERALL<br>DRAWING |
|-----------------|---|---|---|---|---------------------------|--------------------|
| IY0JHK230050359 | 30                                      | 26                                      | 25                                      | 25                                      | 480x275x340               | 93, 95             |
| IY0JHK260050359 | 60                                      | 52                                      | 50                                      | 2x25                                    | 480x275x340               | 93, 95             |
| IY0JHK290050359 | 90                                      | 78                                      | 75                                      | 3x25                                    | 480x275x340               | 93, 95             |
| IY0JHK312050359 | 120                                     | 104                                     | 100                                     | 4x25                                    | 480x275x340               | 93, 95             |
| IY0JHK315050359 | 150                                     | 134                                     | 125                                     | 5x25                                    | 680x275x336               | 94, 96             |
| IY0JHK318050359 | 180                                     | 160                                     | 150                                     | 6x25                                    | 680x275x336               | 94, 96             |

U<sub>e</sub>: power factor correction bank working voltage  
 U<sub>N</sub>: capacitors rated voltage  
 U<sub>MAX</sub><sup>1</sup>: capacitor admissible maximum voltage  
 THDI<sub>R</sub>%: current total harmonic distortion of the plant

| U <sub>e</sub> | U <sub>N</sub> | U <sub>MAX</sub> <sup>1</sup> | f     | THDI <sub>R</sub> % |
|----------------|----------------|-------------------------------|-------|---------------------|
| 400-415V       | 525V           | 58V                           | 50 Hz | ≤25%                |



#### TECHNICAL CHARACTERISTICS

|  |                                  |
|--|----------------------------------|
| Rated operational voltage                        | U <sub>e</sub> = 400-415V        |
| Rated frequency                                  | 50Hz                             |
| Max current overload I <sub>n</sub> (tray)       | 1.3xI <sub>n</sub>               |
| Max voltage overload V <sub>n</sub> (bank)       | 1.1xV <sub>n</sub>               |
| Max current overload I <sub>n</sub> (capacitors) | 2xI <sub>n</sub>                 |
| Max current overload V <sub>n</sub> (capacitors) | 1,3 V <sub>n</sub>               |
| Insulating voltage (bank)                        | 690V                             |
| Capacitors insulating level                      | 3/15kV                           |
| Temperature range                                | -25/+55°C                        |
| Discharge resistors                              | on each capacitor                |
| Use  | indoor                           |
| Service  | continuo/continuous              |
| Capacitors connection                            | delta                            |
| Switching devices                                | Capacitor duty contactors (AC6b) |
| Total Tray losses                                | 2 W/kvar                         |
| Capacitor Dielectric losses                      | 0,2 W/kvar                       |
| Inner surface finish                             | zinc passivation                 |
| Tray Applicable standards                        | IEC 60439-1/2 IEC 61921-1        |
| Capacitor Applicable standards                   | IEC 60831-1/2                    |

#### Main characteristics

Power factor correction banks indicated for the plants where the current harmonic distortion, without capacitors installed, has values lower than 25%. Use of high energy density metallised polypropylene capacitors assures elevated performances, high resistance to strong voltage overload, low losses and small dimensions.

#### Generalities:

- Contactors with damping resistors to limit capacitors' inrush current (230Vac coil).
- N07V-K self-extinguish cable according to IEC 20/2212 – IEC 50267-2-1 standards.
- Three-phase fuse holder type NH00
- Power fuses NH00-gG
- 3U<sub>1</sub> three phase self-healing polypropylene capacitors with 525V rated voltage.
- Discharge devices.
- Degree of protection IP20

All components inside this products are compliant with EU Safety Regulations.

| PART NUMBER     | POWER<br>U <sub>N</sub> =525V<br>(kvar) | POWER<br>U <sub>e</sub> =415V<br>(kvar) | POWER<br>U <sub>e</sub> =400V<br>(kvar) | STEPS<br>U <sub>e</sub> =400V<br>(kvar) | DIM IP20<br>WxHxD<br>(mm) | OVERALL<br>DRAWING |
|-----------------|---|---|---|---|---------------------------|--------------------|
| IY0SQK230050359 | 30                                      | 19                                      | 17.5                                    | 17.5                                    | 480x275x340               | 93, 95             |
| IY0SQK260050359 | 60                                      | 38                                      | 35                                      | 2x17.5                                  | 480x275x340               | 93, 95             |
| IY0SQK290050359 | 90                                      | 57                                      | 52.5                                    | 3x17.5                                  | 480x275x340               | 93, 95             |
| IY0SQK312050359 | 120                                     | 76                                      | 70                                      | 4x17.5                                  | 480x275x340               | 93, 95             |
| IY0SQK315050359 | 150                                     | 94                                      | 87.5                                    | 5x17.5                                  | 680x275x336               | 94, 96             |
| IY0SQK318050359 | 180                                     | 112                                     | 105                                     | 6x17.5                                  | 680x275x336               | 94, 96             |

U<sub>e</sub>: power factor correction bank working voltage

U<sub>N</sub>: capacitors rated voltage

U<sub>MAX</sub>: capacitor admissible maximum voltage

THDI<sub>R</sub>%: current total harmonic distortion of the plant



# FH05

| U <sub>e</sub> | f     | THDI <sub>R</sub> % | f <sub>N</sub> | p    |
|----------------|-------|---------------------|----------------|------|
| 400-415V       | 50 Hz | ≤20%                | 215 Hz         | 5,4% |



### TECHNICAL CHARACTERISTICS

|  |                           |
|--|---------------------------|
| Rated operational voltage                        | U <sub>e</sub> = 400-415V |
| Rated frequency                                  | 50Hz                      |
| Max current overload I <sub>n</sub> (tray)       | 1.3xI <sub>n</sub>        |
| Max voltage overload V <sub>n</sub> (bank)       | 1.1xV <sub>n</sub>        |
| Max current overload I <sub>n</sub> (capacitors) | 2xI <sub>n</sub>          |
| Max current overload V <sub>n</sub> (capacitors) | 1,3 V <sub>n</sub>        |
| Insulating voltage (bank)                        | 690V                      |
| Capacitors insulating level                      | 3/15kV                    |
| Temperature range                                | -25/+55°C                 |
| Discharge resistors                              | on each capacitor         |
| Use  | indoor                    |
| Service  | continuo/continous        |
| Capacitors connection                            | delta                     |
| Switching devices                                | Capacitor duty contactors |
| Total Tray losses                                | 6 W/kvar                  |
| Capacitor Dielectric losses                      | 0,2 W/kvar                |
| Inner surface finish                             | zinc passivation          |
| Tray Applicable standards                        | IEC 60439-1/2 IEC 61921-1 |
| Capacitor Applicable standards                   | IEC 60831-1/2             |

### Main characteristics

Power factor correction banks indicated for the plants where the current harmonic distortion has values up to 20%. Use of high energy density metallised polypropylene capacitors assures elevated performances with low losses and small dimensions.

### Generalities:

- Contactors(230Vac coil).
- N07V-K self-extinguish cable according to IEC 20/22/2 – IEC 50267-2-1 standards.
- Three-phase fuse holder type NH00
- Power fuses NH00-gG
- Series 3U, three phase self-healing polypropylene capacitors with 525V rated voltage.
- Discharge devices.
- Three phase detuning choke with tuning frequency 215 Hz.
- Degree of protection: IP20

All components inside this products are compliant with EU Safety Regulations.

| PART NUMBER     | POWER U <sub>e</sub> =415V (kvar) | POWER U <sub>e</sub> =400V (kvar) | STEPS U <sub>e</sub> =400V (kvar) | DIM IP20 WxHxD (mm) | OVERALL DRAWING |
|-----------------|-----------------------------------|-----------------------------------|-----------------------------------|---------------------|-----------------|
| IY7HFK212550368 | 13.5                              | 12.5                              | 12.5                              | 480x275x450         | 91, 97          |
| IY7HFK218850368 | 20                                | 18.75                             | 6.25-12.5                         | 480x275x450         | 91, 97          |
| IY7HFK225050369 | 27                                | 25                                | 2x12.5                            | 480x275x450         | 91, 97          |
| IY7HFK225050368 | 27                                | 25                                | 25                                | 480x275x450         | 91, 97          |
| IY7HFK250050425 | 54                                | 50                                | 2x25                              | 480x275x450         | 91, 97          |
| IY7HFK250050368 | 54                                | 50                                | 50                                | 480x275x450         | 91, 97          |
| IY7HFK275050368 | 80                                | 75                                | 25-50                             | 680x275x450         | 92, 98          |
| IY7HFK310050368 | 107                               | 100                               | 50-50                             | 680x275x450         | 92, 98          |

U<sub>e</sub>: power factor correction bank working voltage  
 THDI<sub>R</sub>%: current total harmonic distortion of the plant

| U <sub>e</sub> | f     | THDI <sub>R</sub> % | f <sub>N</sub> | p    |
|----------------|-------|---------------------|----------------|------|
| 400-415V       | 50 Hz | ≤60%                | 180 Hz         | 7,7% |


**TECHNICAL CHARACTERISTICS**

|  |                           |
|--|---------------------------|
| Rated operational voltage                        | U <sub>e</sub> = 400-415V |
| Rated frequency                                  | 50Hz                      |
| Max current overload I <sub>n</sub> (tray)       | 1.3xI <sub>n</sub>        |
| Max voltage overload V <sub>n</sub> (bank)       | 1.1xV <sub>n</sub>        |
| Max current overload I <sub>n</sub> (capacitors) | 2xI <sub>n</sub>          |
| Max current overload V <sub>n</sub> (capacitors) | 1,3 V <sub>n</sub>        |
| Insulating voltage (bank)                        | 690V                      |
| Capacitors insulating level                      | 3/15kV                    |
| Temperature range                                | -25/+55°C                 |
| Discharge resistors                              | on each capacitor         |
| Use  | indoor                    |
| Service  | continuo/continuous       |
| Capacitors connection                            | delta                     |
| Switching devices                                | Capacitor duty contactors |
| Total Tray losses                                | 6 W/kvar                  |
| Capacitor Dielectric losses                      | 0,2 W/kvar                |
| Inner surface finish                             | zinc passivation          |
| Tray Applicable standards                        | IEC 60439-1/2 IEC 61921-1 |
| Capacitor Applicable standards                   | IEC 60831-1/2             |

**Main characteristics**

Power factor correction banks indicated for the plants where the current harmonic distortion, without capacitors installed, has values lower than 60%. Use of high energy density metallised polypropylene capacitors assures elevated performances, high resistance to strong voltage overload, low losses and small dimensions.

**Generalities:**

- Contactors with damping resistors to limit capacitors' inrush current (230Vac coil).
- N07V-K self-extinguish cable according to IEC 20/2212 – IEC 50267-2-1 standards.
- Three-phase fuse holder type NH00
- Power fuses NH00-gG
- 3U<sub>l</sub> three phase self-healing polypropylene capacitors with 450V rated voltage.
- Discharge devices.
- Three phase detuning choke with tuning frequency 180 Hz
- Degree of protection: IP20

All components inside this products are compliant with EU Safety Regulations.

| PART NUMBER     | POWER U <sub>e</sub> =415V (kvar) | POWER U <sub>e</sub> =400V (kvar) | STEPS U <sub>e</sub> =400V (kvar) | DIM IP20 WxHxD (mm) | OVERALL DRAWING |
|-----------------|-----------------------------------|-----------------------------------|-----------------------------------|---------------------|-----------------|
| IY7TFK212550360 | 13.5                              | 12.5                              | 12.5                              | 480x275x450         | 91, 97          |
| IY7TFK218850360 | 20                                | 18.75                             | 6.25-12.5                         | 480x275x450         | 91, 97          |
| IY7TFK225050362 | 27                                | 25                                | 2x12.5                            | 480x275x450         | 91, 97          |
| IY7TFK225050360 | 27                                | 25                                | 25                                | 480x275x450         | 91, 97          |
| IY7TFK250050422 | 54                                | 50                                | 2x25                              | 480x275x450         | 91, 97          |
| IY7TFK250050360 | 54                                | 50                                | 50                                | 480x275x450         | 91, 97          |
| IY7TFK275050360 | 80                                | 75                                | 25-50                             | 680x275x450         | 92, 98          |
| IY7TFK310050360 | 107                               | 100                               | 50-50                             | 680x275x450         | 92, 98          |

U<sub>e</sub>: power factor correction bank working voltage

THDI<sub>R</sub>%: current total harmonic distortion of the plant



# FH30

| U <sub>e</sub> | f     | THDI <sub>R</sub> % | f <sub>N</sub> | p     |
|----------------|-------|---------------------|----------------|-------|
| 400-415V       | 50 Hz | 100%                | 135 Hz         | 13,7% |



### TECHNICAL CHARACTERISTICS

|  |                           |
|--|---------------------------|
| Rated operational voltage                        | U <sub>e</sub> = 400-415V |
| Rated frequency                                  | 50Hz                      |
| Max current overload I <sub>n</sub> (tray)       | 1.3xI <sub>n</sub>        |
| Max voltage overload V <sub>n</sub> (bank)       | 1.1xV <sub>n</sub>        |
| Max current overload I <sub>n</sub> (capacitors) | 2xI <sub>n</sub>          |
| Max current overload V <sub>n</sub> (capacitors) | 1,3 V <sub>n</sub>        |
| Insulating voltage (bank)                        | 690V                      |
| Capacitors insulating level                      | 3/15kV                    |
| Temperature range                                | -25/+55°C                 |
| Discharge resistors                              | on each capacitor         |
| Use  | indoor                    |
| Service  | continuo/continous        |
| Capacitors connection                            | delta                     |
| Switching devices                                | Capacitor duty contactors |
| Total Tray losses                                | 6 W/kvar                  |
| Capacitor Dielectric losses                      | 0,2 W/kvar                |
| Inner surface finish                             | zinc passivation          |
| Tray Applicable standards                        | IEC 60439-1/2 IEC 61921-1 |
| Capacitor Applicable standards                   | IEC 60831-1/2             |

### Main characteristics

Power factor correction banks indicated for the plants where the current harmonic distortion, without capacitors installed, has values lower than 100%. Use of high energy density metallised polypropylene capacitors assures elevated performances, high resistance to strong voltage overload, low losses and small dimensions.

### Generalities:

- Contactors with damping resistors to limit capacitors' inrush current (230Vac coil).
- N07V-K self-extinguish cable according to IEC 20/2212 – IEC 50267-2-1 standards.
- Three-phase fuse holder type NH00
- Power fuses NH00-gG
- 3U<sub>l</sub> three phase self-healing polypropylene capacitors with 450V rated voltage.
- Discharge devices.
- Three phase detuning choke with tuning frequency 180 Hz
- Degree of protection: IP20

All components inside this products are compliant with EU Safety Regulations.

| PART NUMBER     | POWER U <sub>e</sub> =415V (kvar) | POWER U <sub>e</sub> =400V (kvar) | STEPS U <sub>e</sub> =400V (kvar) | DIM IP20 WxHxD (mm) | OVERALL DRAWING |
|-----------------|-----------------------------------|-----------------------------------|-----------------------------------|---------------------|-----------------|
| IY7NFK212550426 | 13.5                              | 12.5                              | 12.5                              | 480x275x450         | 91, 97          |
| IY7NFK218850426 | 20                                | 18.75                             | 6.25-12.5                         | 480x275x450         | 91, 97          |
| IY7NFK225050427 | 27                                | 25                                | 2x12.5                            | 480x275x450         | 91, 97          |
| IY7NFK225050426 | 27                                | 25                                | 25                                | 480x275x450         | 91, 97          |
| IY7NFK250050428 | 54                                | 50                                | 2x25                              | 480x275x450         | 91, 97          |
| IY7NFK250050426 | 54                                | 50                                | 50                                | 480x275x450         | 91, 97          |
| IY7NFK275050426 | 80                                | 75                                | 25-50                             | 680x275x450         | 92, 98          |

U<sub>e</sub>: power factor correction bank working voltage  
 THDI<sub>R</sub>%: current total harmonic distortion of the plant

# HP20

(380V - 60Hz)

| U <sub>e</sub> | U <sub>N</sub> | U <sub>MAX</sub> <sup>1</sup> | f     | THDI <sub>R</sub> % |
|----------------|----------------|-------------------------------|-------|---------------------|
| 380V           | 450V           | 495V                          | 60 Hz | ≤18%                |



## TECHNICAL CHARACTERISTICS

|  |   |
|--|---|
| Rated operational voltage                        | <b>U<sub>e</sub> = 380</b>              |
| Rated frequency                                  | <b>60Hz</b>                             |
| Max current overload I <sub>n</sub> (bank)       | <b>1.3xI<sub>n</sub></b>                |
| Max voltage overload V <sub>n</sub> (bank)       | <b>1.1xV<sub>n</sub></b>                |
| Max voltage overload V <sub>n</sub> (capacitors) | <b>3xV<sub>n</sub></b>                  |
| Insulating voltage (bank)                        | <b>690V</b>                             |
| Capacitors insulating level                      | <b>3/15kV</b>                           |
| Temperature range                                | <b>-25/+55°C</b>                        |
| Discharge device                                 | <b>on each capacitor</b>                |
| Use  | <b>indoor</b>                           |
| Service  | <b>continuous</b>                       |
| Capacitors connection                            | <b>delta</b>                            |
| Operation devices                                | <b>capacitor duty contactors (AC6b)</b> |
| Total Joule losses                               | <b>~2W/kvar</b>                         |
| Surface finish                                   | <b>galvanisation</b>                    |
| Banks applicable standards                       | <b>IEC 60439-1/2 IEC 61921-1</b>        |
| Capacitors standards                             | <b>IEC 60831-1/2</b>                    |

### Main characteristics

Power factor correction banks indicated for the plants where the current harmonic distortion, without capacitors installed, has values lower than 18%. Use of high energy density metallised polypropylene capacitors assures elevated performances, high resistance to strong voltage overload, low losses and small dimensions.

### Generalities:

- Contactors with damping resistors to limit capacitors' inrush current (230Vac coil).
- N07V-K self-extinguish cable according to IEC 20/2212 – IEC 50267-2-1 standards.
- Three-phase fuse holder type NH00
- Power fuses NH00-gG
- 3U<sub>l</sub> three phase self-healing polypropylene capacitors with 450V rated voltage.
- Discharge devices.

Degree of protection: IP20

All components inside this products are compliant with EU Safety Regulations.

| PART NUMBER | Power (kvar)<br>U <sub>N</sub> =450V | Power (kvar)<br>U <sub>e</sub> =380V | Steps (kvar)<br>U <sub>e</sub> =380V | DIM IP20<br>WxHxD(mm) | OVERALL<br>DRAWING |
|-------------|--------------------------------------|--------------------------------------|--------------------------------------|-----------------------|--------------------|
| Contact us  | 36                                   | 25                                   | 25                                   | 480x275x340           | 93,95              |
| Contact us  | 72                                   | 50                                   | 2x25                                 | 480x275x340           | 93,95              |
| Contact us  | 108                                  | 75                                   | 3x25                                 | 480x275x340           | 93,95              |
| Contact us  | 144                                  | 100                                  | 4x25                                 | 480x275x340           | 93,95              |

U<sub>e</sub>: power factor correction bank working voltage

THDI<sub>R</sub>%: current total harmonic distortion of the plant

# HP30

(440V - 60Hz)

| $U_e$ | $U_N$ | $U_{MAX}^1$ | f     | THDI <sub>R</sub> % |
|-------|-------|-------------|-------|---------------------|
| 440V  | 525V  | 580V        | 60 Hz | ≤25%                |



## TECHNICAL CHARACTERISTICS

|   |                                  |
|---|----------------------------------|
| Rated operational voltage               | $U_e = 440V$                     |
| Rated frequency                         | 60Hz                             |
| Max current overload $I_n$ (bank)       | $1.3 \times I_n$                 |
| Max voltage overload $V_n$ (bank)       | $1.1 \times V_n$                 |
| Max voltage overload $V_n$ (capacitors) | $3 \times V_n$                   |
| Insulating voltage (bank)               | 690V                             |
| Capacitors insulating level             | 3/15kV                           |
| Temperature range                       | -25/+55°C                        |
| Discharge device                        | on each capacitor                |
| Use                                     | indoor                           |
| Service                                 | continuous                       |
| Capacitors connection                   | delta                            |
| Operation devices                       | capacitor duty contactors (AC6b) |
| Total Joule losses                      | ~2W/kvar                         |
| Surface finish                          | galvanisation                    |
| Banks applicable standards              | IEC 60439-1/2 IEC 61921-1        |
| Capacitors standards                    | IEC 60831-1/2                    |

## Main characteristics

Power factor correction banks indicated for the plants where the current harmonic distortion without existing capacitors has values up to 25%. Use of high energy density metallised polypropylene capacitors assures elevated performances with low losses and small dimensions.

## Generalities:

- Contactors (230Vac coil).
- N07V-K self-extinguish cable according to IEC 20/22/2 – IEC 50267-2-1 standards.
- Three-phase fuse holder type NH00
- Power fuses NH00-gG
- Series 3U<sub>1</sub> three phase self-healing polypropylene capacitors with 525V rated voltage.
- Discharge devices.
- Degree of protection IP20.

All components inside this products are compliant with EU Safety Regulations.

| PART NUMBER | Power (kvar)<br>$U_N=525V$ | Power (kvar)<br>$U_e=440V$ | Steps (kvar)<br>$U_e=440V$ | DIM IP20<br>WxHxD(mm) | OVERALL<br>DRAWING |
|-------------|----------------------------|----------------------------|----------------------------|-----------------------|--------------------|
| Contact us  | 36                         | 25                         | 25                         | 480x275x340           | 93,95              |
| Contact us  | 72                         | 50                         | 2x25                       | 480x275x340           | 93,95              |
| Contact us  | 108                        | 75                         | 3x25                       | 480x275x340           | 93,95              |
| Contact us  | 144                        | 100                        | 4x25                       | 480x275x340           | 93,95              |

$U_e$ : power factor correction bank working voltage

THDI<sub>R</sub>%: current total harmonic distortion of the plant



# HP30

(480V - 60Hz)

| U <sub>e</sub> | U <sub>N</sub> | U <sub>MAX</sub> <sup>1</sup> | f     | THDI <sub>R</sub> % |
|----------------|----------------|-------------------------------|-------|---------------------|
| 480V           | 525V           | 580V                          | 60 Hz | ≤25%                |



## TECHNICAL CHARACTERISTICS

|  |   |
|--|---|
| Rated operational voltage                        | <b>U<sub>e</sub> = 480V</b>             |
| Rated frequency                                  | <b>60Hz</b>                             |
| Max current overload I <sub>n</sub> (bank)       | <b>1.3xI<sub>n</sub></b>                |
| Max voltage overload V <sub>n</sub> (bank)       | <b>1.1xV<sub>n</sub></b>                |
| Max voltage overload V <sub>n</sub> (capacitors) | <b>3xV<sub>n</sub></b>                  |
| Insulating voltage (bank)                        | <b>690V</b>                             |
| Capacitors insulating level                      | <b>3/15kV</b>                           |
| Temperature range                                | <b>-25/+55°C</b>                        |
| Discharge device                                 | <b>on each capacitor</b>                |
| Use  | <b>indoor</b>                           |
| Service  | <b>continuous</b>                       |
| Capacitors connection                            | <b>delta</b>                            |
| Operation devices                                | <b>capacitor duty contactors (AC6b)</b> |
| Total Joule losses                               | <b>~2W/kvar</b>                         |
| Surface finish                                   | <b>galvanisation</b>                    |
| Banks applicable standards                       | <b>IEC 60439-1/2 IEC 61921-1</b>        |
| Capacitors standards                             | <b>IEC 60831-1/2</b>                    |

### Main characteristics

Power factor correction banks indicated for the plants where the current harmonic distortion, without capacitors installed, has values lower than 25%. Use of high energy density metallised polypropylene capacitors assures elevated performances, high resistance to strong voltage overload, low losses and small dimensions.

### Generalities:

- Contactors with damping resistors to limit capacitors' inrush current (230Vac coil).
- N07V-K self-extinguish cable according to IEC 20/2212 – IEC 50267-2-1 standards.
- Three-phase fuse holder type NH00
- Power fuses NH00-gG
- 3U<sub>1</sub> three phase self-healing polypropylene capacitors with 525V rated voltage.
- Discharge devices.
- Degree of protection IP20

All components inside this products are compliant with EU Safety Regulations.

| PART NUMBER | Power (kvar)<br>U <sub>N</sub> =525V | Power (kvar)<br>U <sub>e</sub> =480V | Steps (kvar)<br>U <sub>e</sub> =480V | DIM IP20<br>WxHxD(mm) | OVERALL<br>DRAWING |
|-------------|--------------------------------------|--------------------------------------|--------------------------------------|-----------------------|--------------------|
| Contact us  | 30                                   | <b>25</b>                            | 25                                   | <b>480x275x340</b>    | 93,95              |
| Contact us  | 60                                   | <b>50</b>                            | 2x25                                 | <b>480x275x340</b>    | 93,95              |
| Contact us  | 90                                   | <b>75</b>                            | 3x25                                 | <b>480x275x340</b>    | 93,95              |
| Contact us  | 120                                  | <b>100</b>                           | 4x25                                 | <b>480x275x340</b>    | 93,95              |

U<sub>e</sub>: power factor correction bank working voltage

THDI<sub>R</sub>%: current total harmonic distortion of the plant



# FH20

(230V - 60Hz)

| U <sub>e</sub> | f     | THDI <sub>R</sub> % | f <sub>N</sub> | P  |
|----------------|-------|---------------------|----------------|----|
| 230V           | 60 Hz | ≤60%                | 227 Hz         | 7% |



### TECHNICAL CHARACTERISTICS

|  |                                  |
|--|----------------------------------|
| Rated operational voltage                        | <b>U<sub>e</sub>= 230V</b>       |
| Rated frequency                                  | <b>60Hz</b>                      |
| Max current overload I <sub>n</sub> (bank)       | <b>1.3xI<sub>n</sub></b>         |
| Max voltage overload V <sub>n</sub> (bank)       | <b>1.1xV<sub>n</sub></b>         |
| Max voltage overload V <sub>n</sub> (capacitors) | <b>3xV<sub>n</sub></b>           |
| Insulating voltage (bank)                        | <b>690V</b>                      |
| Capacitors insulating level                      | <b>3/15kV</b>                    |
| Temperature range (capacitors)                   | <b>-25/+55°C</b>                 |
| Discharge device                                 | <b>on each capacitor</b>         |
| Use  | <b>indoor</b>                    |
| Service  | <b>continous</b>                 |
| Capacitors connection                            | <b>delta</b>                     |
| Operation devices                                | <b>contactors</b>                |
| Total Joule losses                               | <b>~6W/kvar</b>                  |
| Inner surface finish                             | <b>zinc passivation</b>          |
| Applicable standards                             | <b>IEC 60439-1/2 IEC 61921-1</b> |
| Capacitors standards                             | <b>IEC 60831-1/2</b>             |

### Main characteristics

Power factor correction banks indicated for the plants where the current harmonic distortion has values up to 60%. Use of high energy density metallised polypropylene capacitors assures elevated performances with low losses and small dimensions.

### Generalities:

- Contactors(230Vac coil).
- N07V-K self-extinguish cable according to IEC 20/22/2 – IEC 50267-2-1 standards.
- Three-phase fuse holder type NH00
- Power fuses NH00-gG
- Series 3U<sub>1</sub> three phase self-healing polypropylene capacitors with 525V rated voltage.
- Discharge devices.
- Three phase detuning choke with tuning frequency 227Hz.
- Degree of protection IP20

All components inside this products are compliant with EU Safety Regulations.

| PART NUMBER | Power (kvar)<br>U <sub>e</sub> =230V | Power (kvar)<br>U <sub>e</sub> =230V | DIM IP20<br>WxHxD(mm) | OVERALL<br>DRAWING |
|-------------|--------------------------------------|--------------------------------------|-----------------------|--------------------|
| Contact us  | 7,5                                  | 7,5                                  | 480x275x430           | 93,95              |
| Contact us  | 15                                   | 2x7,5                                | 480x275x430           | 93,95              |
| Contact us  | 15                                   | 15                                   | 480x275x430           | 93,95              |

U<sub>e</sub>: power factor correction bank working voltage

THDI<sub>R</sub>%: current total harmonic distortion of the plant



# FH20

(380V - 60Hz)

| U <sub>e</sub> | f     | THDI <sub>R</sub> % | f <sub>N</sub> | P  |
|----------------|-------|---------------------|----------------|----|
| 380V           | 60 Hz | ≤60%                | 227 Hz         | 7% |



### TECHNICAL CHARACTERISTICS

|  |                                  |
|--|----------------------------------|
| Rated operational voltage                        | <b>U<sub>e</sub>= 380V</b>       |
| Rated frequency                                  | <b>60Hz</b>                      |
| Max current overload I <sub>n</sub> (bank)       | <b>1.3xI<sub>n</sub></b>         |
| Max voltage overload V <sub>n</sub> (bank)       | <b>1.1xV<sub>n</sub></b>         |
| Max voltage overload V <sub>n</sub> (capacitors) | <b>3xV<sub>n</sub></b>           |
| Insulating voltage (bank)                        | <b>690V</b>                      |
| Capacitors insulating level                      | <b>3/15kV</b>                    |
| Temperature range (capacitors)                   | <b>-25/+55°C</b>                 |
| Discharge device                                 | <b>on each capacitor</b>         |
| Use  | <b>indoor</b>                    |
| Service  | <b>continous</b>                 |
| Capacitors connection                            | <b>delta</b>                     |
| Operation devices                                | <b>contactors</b>                |
| Total Joule losses                               | <b>~6W/kvar</b>                  |
| Inner surface finish                             | <b>zinc passivation</b>          |
| Applicable standards                             | <b>IEC 60439-1/2 IEC 61921-1</b> |
| Capacitors standards                             | <b>IEC 60831-1/2</b>             |

### Main characteristics

Power factor correction banks indicated for the plants where the current harmonic distortion has values up to 60%. Use of high energy density metallised polypropylene capacitors assures elevated performances with low losses and small dimensions.

### Generalities:

- Contactors(230Vac coil).
- N07V-K self-extinguish cable according to IEC 20/22/2 – IEC 50267-2-1 standards.
- Three-phase fuse holder type NH00
- Power fuses NH00-gG
- Series 3U, three phase self-healing polypropylene capacitors with 525V rated voltage.
- Discharge devices.
- Three phase detuning choke with tuning frequency 227Hz.
- Degree of protection: IP20

All components inside this products are compliant with EU Safety Regulations.

| PART NUMBER | Power (kvar)<br>U <sub>e</sub> =380V | Power (kvar)<br>U <sub>e</sub> =380V | DIM IP20<br>WxHxD(mm) | OVERALL<br>DRAWING |
|-------------|--------------------------------------|--------------------------------------|-----------------------|--------------------|
| Contact us  | 12,5                                 | 12,5                                 | 480x275x430           | 93,95              |
| Contact us  | 25                                   | 2x12,5                               | 480x275x430           | 93,95              |
| Contact us  | 25                                   | 25                                   | 480x275x430           | 93,95              |
| Contact us  | 50                                   | 50                                   | 480x275x430           | 93,95              |

U<sub>e</sub>: power factor correction bank working voltage  
 THDI<sub>R</sub>%: current total harmonic distortion of the plant



# FH20

(480V - 60Hz)

| U <sub>e</sub> | f     | THDI <sub>R</sub> % | f <sub>N</sub> | P  |
|----------------|-------|---------------------|----------------|----|
| 480V           | 60 Hz | ≤60%                | 227 Hz         | 7% |



### TECHNICAL CHARACTERISTICS

|  |                                  |
|--|----------------------------------|
| Rated operational voltage                        | <b>U<sub>e</sub>= 480V</b>       |
| Rated frequency                                  | <b>60Hz</b>                      |
| Max current overload I <sub>n</sub> (bank)       | <b>1.3xI<sub>n</sub></b>         |
| Max voltage overload V <sub>n</sub> (bank)       | <b>1.1xV<sub>n</sub></b>         |
| Max voltage overload V <sub>n</sub> (capacitors) | <b>3xV<sub>n</sub></b>           |
| Insulating voltage (bank)                        | <b>690V</b>                      |
| Capacitors insulating level                      | <b>3/15kV</b>                    |
| Temperature range (capacitors)                   | <b>-25/+55°C</b>                 |
| Discharge device                                 | <b>on each capacitor</b>         |
| Use  | <b>indoor</b>                    |
| Service  | <b>continous</b>                 |
| Capacitors connection                            | <b>delta</b>                     |
| Operation devices                                | <b>contactors</b>                |
| Total Joule losses                               | <b>~6W/kvar</b>                  |
| Inner surface finish                             | <b>zinc passivation</b>          |
| Applicable standards                             | <b>IEC 60439-1/2 IEC 61921-1</b> |
| Capacitors standards                             | <b>IEC 60831-1/2</b>             |

### Main characteristics

Power factor correction banks indicated for the plants where the current harmonic distortion has values up to 60%. Use of high energy density metallised polypropylene capacitors assures elevated performances with low losses and small dimensions.

### Generalities:

- Contactors(230Vac coil).
- N07V-K self-extinguish cable according to IEC 20/22/2 – IEC 50267-2-1 standards.
- Three-phase fuse holder type NH00
- Power fuses NH00-gG
- Series 3U<sub>1</sub> three phase self-healing polypropylene capacitors with 690V rated voltage.
- Discharge devices.
- Three phase detuning choke with tuning frequency 227Hz.
- Degree of protection: IP20

All components inside this products are compliant with EU Safety Regulations.

| PART NUMBER | Power (kvar)<br>U <sub>e</sub> =400V | Power (kvar)<br>U <sub>e</sub> =400V | DIM IP20<br>WxHxD(mm) | OVERALL<br>DRAWING |
|-------------|--------------------------------------|--------------------------------------|-----------------------|--------------------|
| Contact us  | 15                                   | 15                                   | 480x275x430           | 93,95              |
| Contact us  | 30                                   | 30                                   | 480x275x430           | 93,95              |
| Contact us  | 45                                   | 45                                   | 480x275x430           | 93,95              |

U<sub>e</sub>: power factor correction bank working voltage  
 THDI<sub>R</sub>%: current total harmonic distortion of the plant



# FH30

(380V - 60Hz)

| U <sub>e</sub> | f     | THDI <sub>R</sub> % | f <sub>N</sub> | P   |
|----------------|-------|---------------------|----------------|-----|
| 380V           | 60 Hz | ≤100%               | 168 Hz         | 13% |



## TECHNICAL CHARACTERISTICS

|  |                                  |
|--|----------------------------------|
| Rated operational voltage                        | <b>U<sub>e</sub>= 380V</b>       |
| Rated frequency                                  | <b>60Hz</b>                      |
| Max current overload I <sub>n</sub> (bank)       | <b>1.3xI<sub>n</sub></b>         |
| Max voltage overload V <sub>n</sub> (bank)       | <b>1.1xV<sub>n</sub></b>         |
| Max voltage overload V <sub>n</sub> (capacitors) | <b>3xV<sub>n</sub></b>           |
| Insulating voltage (bank)                        | <b>690V</b>                      |
| Capacitors insulating level                      | <b>3/15kV</b>                    |
| Temperature range (capacitors)                   | <b>-25/+55°C</b>                 |
| Discharge device                                 | <b>on each capacitor</b>         |
| Use  | <b>indoor</b>                    |
| Service  | <b>continous</b>                 |
| Capacitors connection                            | <b>delta</b>                     |
| Operation devices                                | <b>contactors</b>                |
| Total Joule losses                               | <b>~8W/kvar</b>                  |
| Inner surface finish                             | <b>zinc passivation</b>          |
| Applicable standards                             | <b>IEC 60439-1/2 IEC 61921-1</b> |
| Capacitors standards                             | <b>IEC 60831-1/2</b>             |

### Main characteristics

Power factor correction banks indicated for the plants where the current harmonic distortion has values up to 100%. Use of high energy density metallised polypropylene capacitors assures elevated performances with low losses and small dimensions.

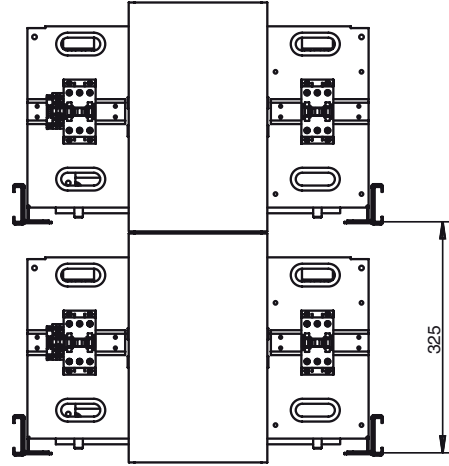
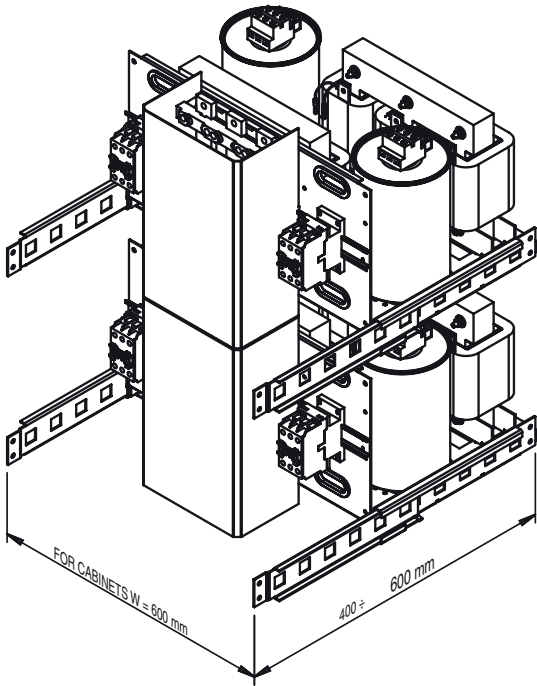
### Generalities:

- Contactors(230Vaccoil).
- N07V-K self-extinguish cable according to IEC 20/22/2 – IEC 50267-2-1 standards.
- Three-phase fuse holder type NH00
- Power fuses NH00-gG
- Series 3U, three phase self-healing polypropylene capacitors with 525V rated voltage.
- Discharge devices.
- Three phase detuning choke with tuning frequency 168Hz.
- Degree of protection: IP20

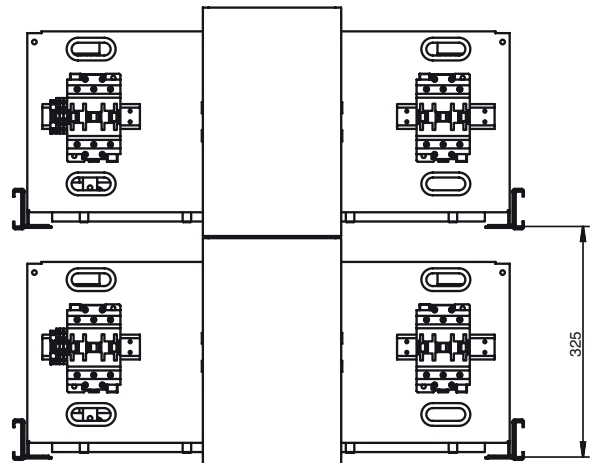
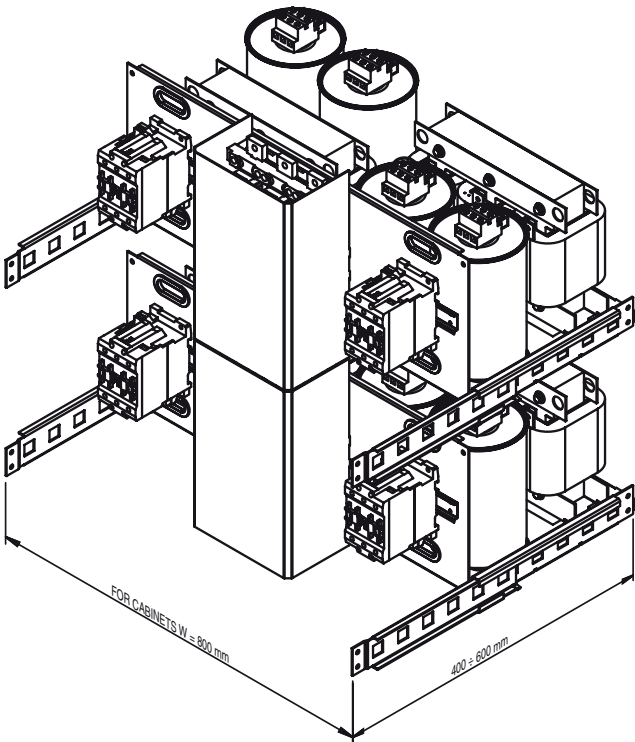
All components inside this products are compliant with EU Safety Regulations.

| PART NUMBER | Power (kvar)<br>U <sub>e</sub> =380V | Power (kvar)<br>U <sub>e</sub> =380V | DIM IP20<br>WxHxD(mm) | OVERALL<br>DRAWING |
|-------------|--------------------------------------|--------------------------------------|-----------------------|--------------------|
| Contact us  | 12,5                                 | 12,5                                 | 480x275x430           | 93,95              |
| Contact us  | 25                                   | 2x12,5                               | 480x275x430           | 93,95              |
| Contact us  | 25                                   | 25                                   | 480x275x430           | 93,95              |
| Contact us  | 50                                   | 50                                   | 480x275x430           | 93,95              |

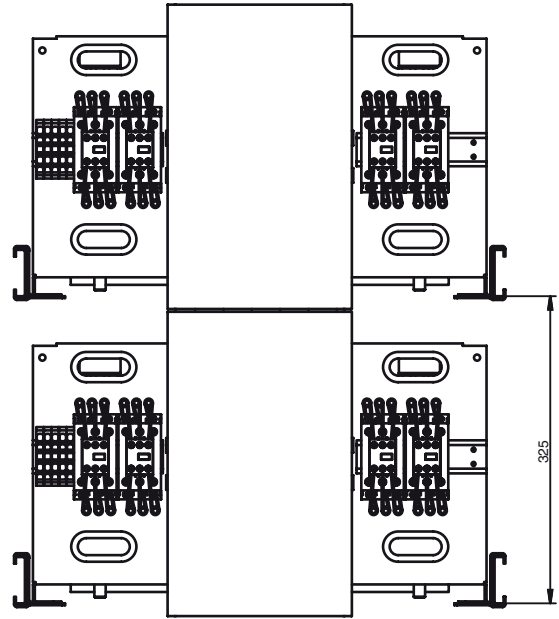
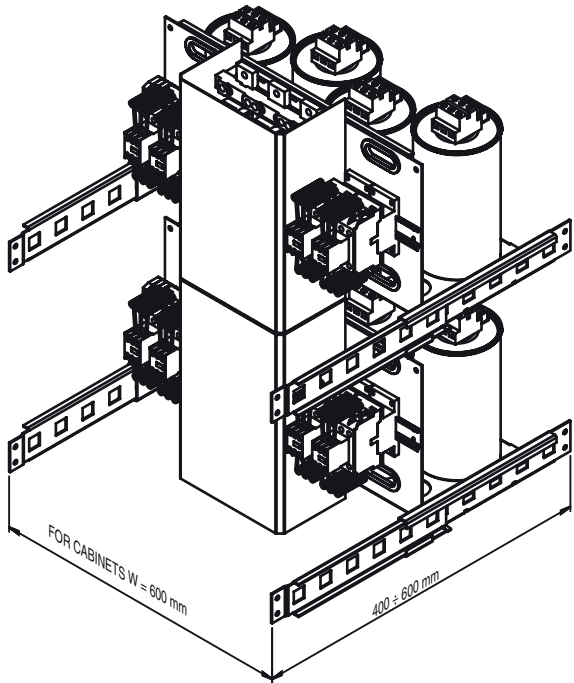
U<sub>e</sub>: power factor correction bank working voltage  
 THDI<sub>R</sub>%: current total harmonic distortion of the plant



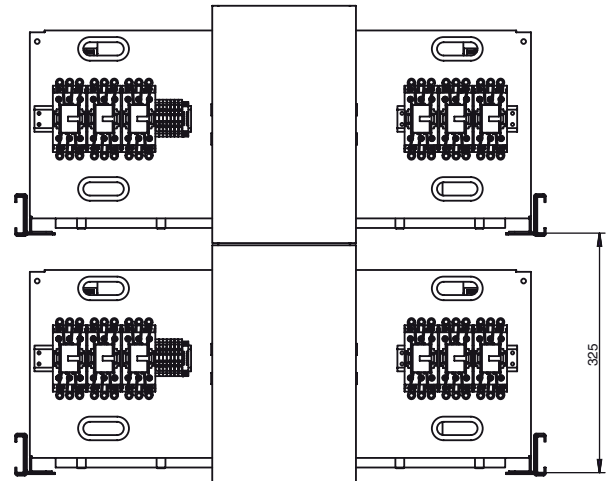
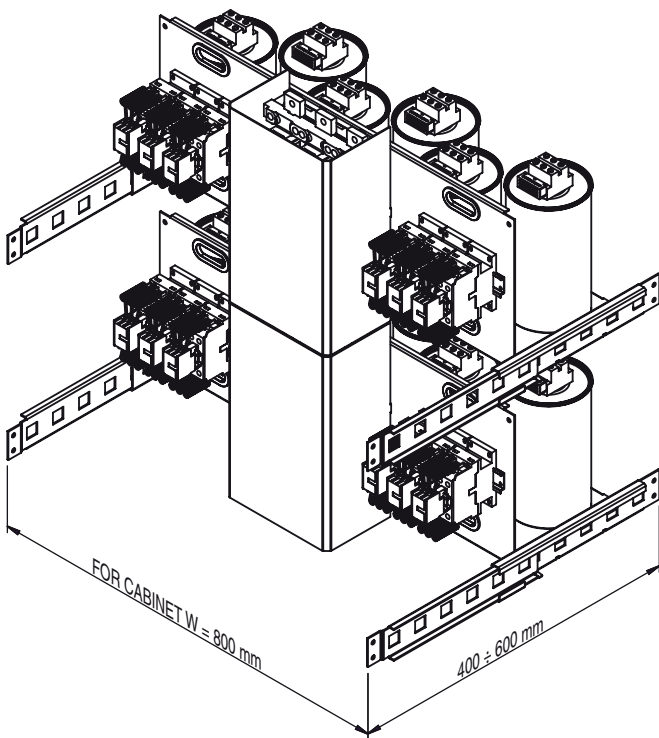
91



92

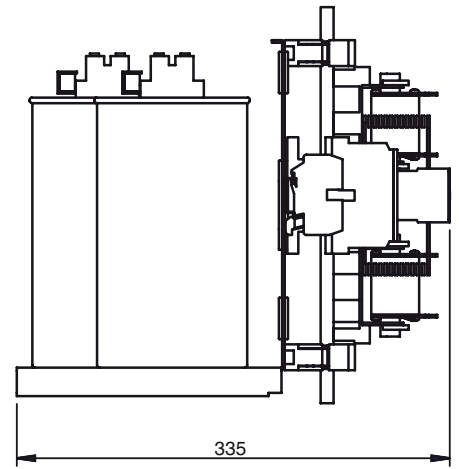
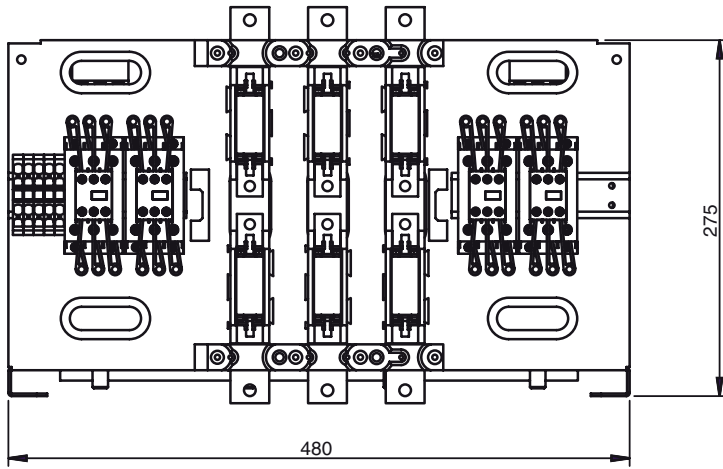


93

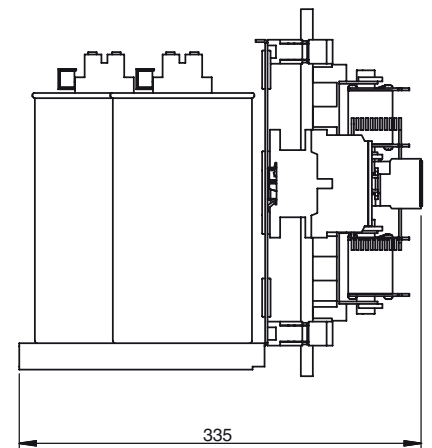
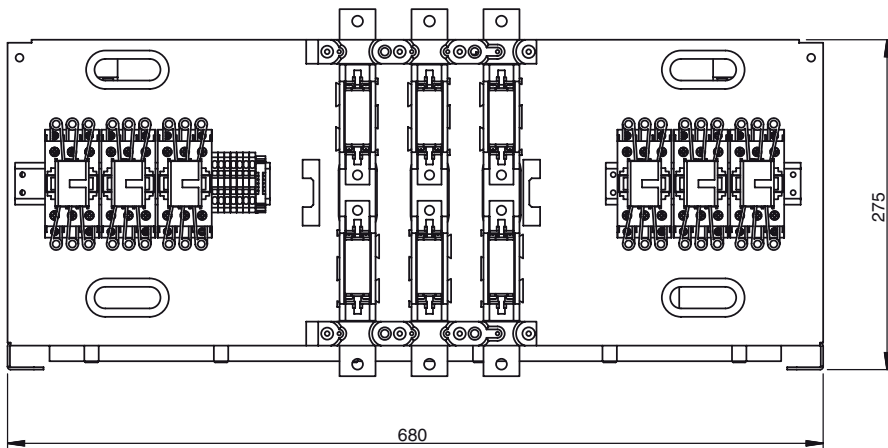


94

DIMENSIONS



95



96

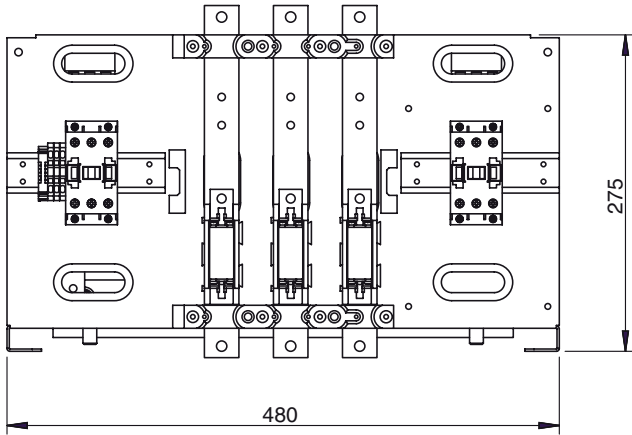




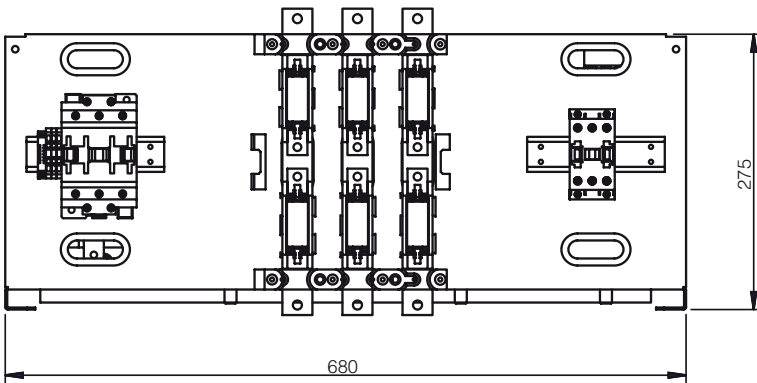
**ICAR S.p.A.**  
Via Isonzo, 10  
20900 Monza (MB) - Italy  
tel. +39 039 83.951  
fax +39 039 83.32.27  
[www.icar.com](http://www.icar.com)  
[sales@icar.com](mailto:sales@icar.com)



TECHNICAL FEATURES AND DIMENSIONS OF THIS CATALOGUE CAN BE CHANGED WITHOUT ICAR PRIOR NOTICE.  
ICAR DECLINES ANY RESPONSIBILITY FOR DAMAGES TO HUMANS OR OBJECTS FROM WRONG SELECTION OR USE OF ICAR MADE PRODUCTS.



97



98