

# OWLPTWK TYPE



## FEATURES

Insulation Resistance:  
100MΩ at 500VDC  
High Reliability  
Rated Voltage:  
100 to 270V/ 50-60Hz

## APPLICATIONS

Power Inductors  
Communication  
Household appliances  
Electronic toys and games.

## NUMBERING SYSTEM

Example: OWLPTWK1495-A10-102

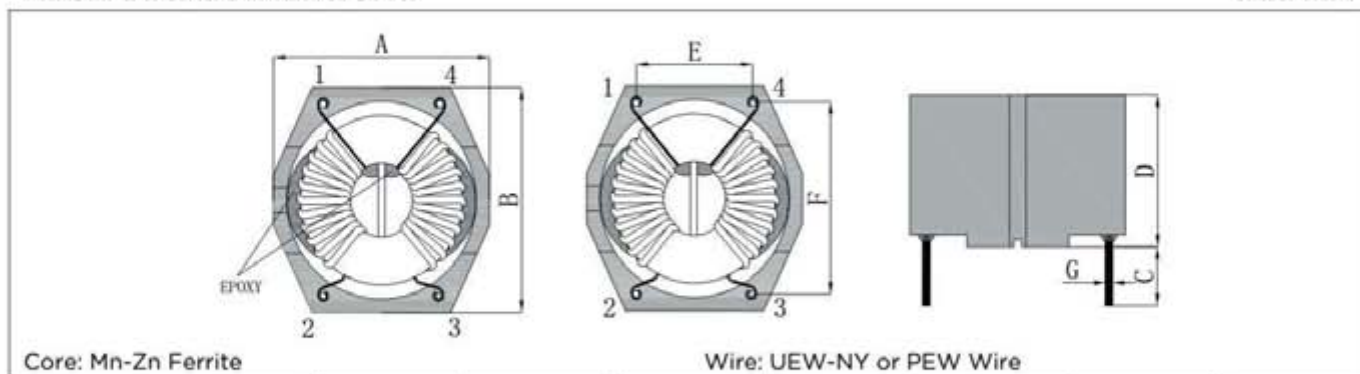
**OWLPTWK1495** - Series Name  
**A10** - Material  
**102** - Inductance

## ELECTRICAL CHARACTERISTIC

Series Name	Inductance (mH)	DCR(max) (Ω)	I (RMS) (A)	Series Name	Inductance (mH)	DCR(max) (Ω)	I (RMS) (A)
OWLPTWK1264	1.0~10.0	20m~435m	0.30~2.30				
OWLPTWK1695	1.0~10.0	12m~150m	1.00~5.00				
OWLPTWK18107	1.0~10.0	10m~115m	1.60~6.00				

## MECHANICAL DIMENSIONS

Unit: mm



Core: Mn-Zn Ferrite

Wire: UEW-NY or PEW Wire

Series Name	A(max)	B(max)	C(±0.5)	D(max)	E(±0.5)	F(±0.5)	G(±0.1)
OWLPTWK1264	18.0	18.0	3.0	13.0	10.0	15.0	0.7
OWLPTWK1695	22.9	22.9	3.0	15.2	12.5	20.0	0.7
OWLPTWK18107	28.0	28.0	3.0	18.0	15.0	25.0	0.7

## GENERAL CONDITION

Operating temperature range:	-55°C to +125°C(include coil heat)
Storage temperature range:	-40°C to +40°C
Test Frequency:	100KHz,0.25V

The above spec is for material A10 only. We can also custom wind using other materials such as A05, and A07. Please contact us for custom spec parts to meet your needs.