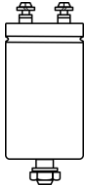


PRODUCT CODE - SCREW TERMINAL ALUMINUM ELECTROLYTIC CAPACITORS



Screw terminal type example:

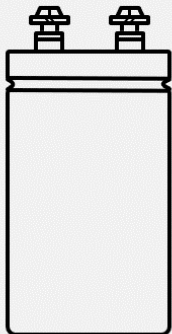
RP series ▪ 3300µF ▪ 450V ▪ ±20% ▪ Ø 63.5mm ▪ L 130mm ▪ M5 terminal 10.3mm ▪ With stud


1	2	3	4	5	6	7	8	9	10	11	12	13	14	15	16	17	18	19	20
R	P	3	3	2	M	4	5	0	S	A	3	0	E	5	0	-	-	-	-
Series		Capacitance			Capacitance tolerance	Voltage			Case Ø (mm)	Height (mm)			Mounting code	Terminal code		Special requirement			
Code		µF			Code	Code			Code	Code			Code	Code					
101	100				H	±5	010	10	P	35	500			A51	151				
561	560				K	±10	016	16	R	51	550			A55	155				
102	1000				S	±15	025	25	S	63.5	600			A57	157				
103	10000				M	±20	035	35	T	76.2	650			A60	160				
683	68000				N	±30	040	40	X	89	700			A65	165				
104	100000				D	±40	050	50	D	100	750			A68	168				
394	390000				I	+5 to +20	063	63											
105	1000000				B	0 to -20	080	80											
					G	0 to +10	100	100											
					Z	0 to +20	160	160											
					Y	0 to +30	200	200											
					X	0 to +40	250	250											
					A	0 to +50	315	315											
					J	-5 to +20	350	350											
					C	-5 to +30	400	400											
					E	-8 to +5	420	420											
					V	-10 to +20	450	450											
					Q	-10 to +30	500	500											
					T	-10 to +50	550	550											
					W	-20 to +10	600	600											
					P	-15 to +20	630	630											
					L	-25 to +20	650	650											
					U	-30 to 0													
					F	-35 to 0													
					O	-50 to 0													

Please consult CapXon for further assistance

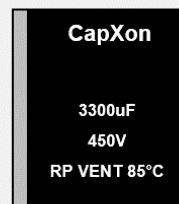
MARKING - SCREW TERMINAL ALUMINUM ELECTROLYTIC CAPACITORS

Aluminum Electrolytic Capacitor - Screw terminal type

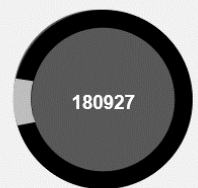


CapXon: Manufacturer trademark
 3300µF: Nominal capacitance
 450V: Rated voltage
 (-) polarity (Cathode indicate)
 RP: Series
 VENT: Safety vent
 85°C: Maximum operating temperature
 180927: Production datecode year/month/day
 (ex. 2018/September/27th)

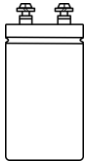
Side view



Top view

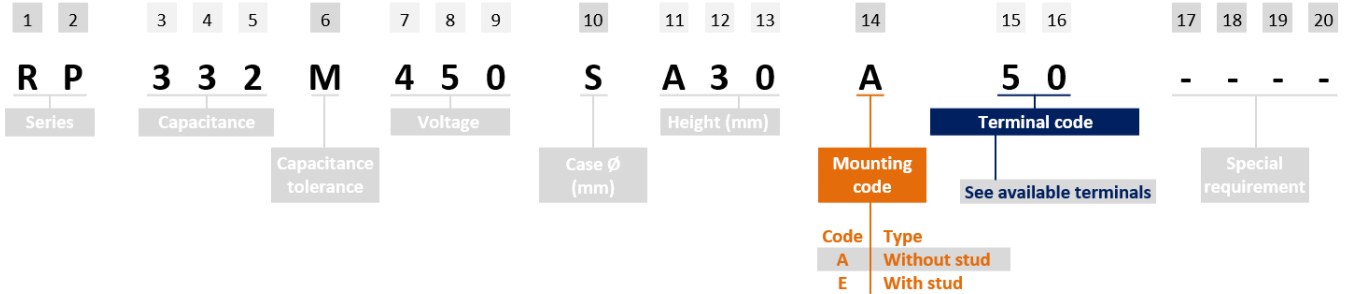


AVAILABLE TERMINALS ▪ SCREW TERMINAL TYPE ▪ WITHOUT STUD

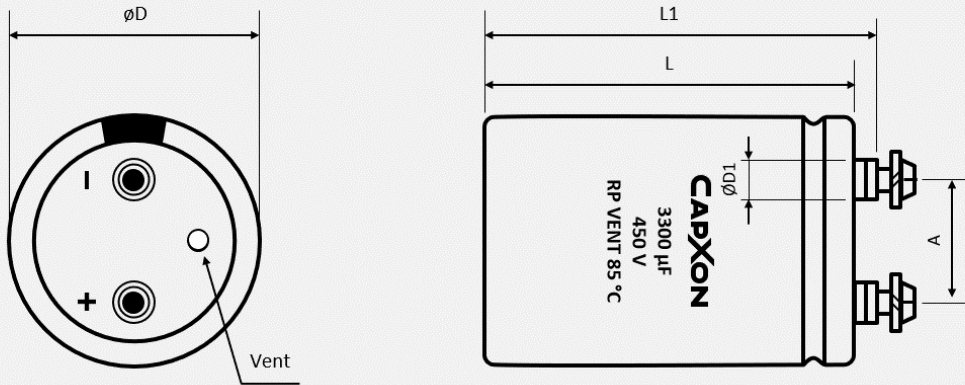


Screw terminal type example:

RP series ▪ 3300µF ▪ 450V ▪ ±20% ▪ Ø 63.5mm ▪ L 130mm ▪ M5 terminal 10.3mm ▪ Without stud

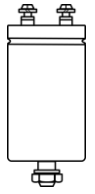


Screw type ▪ Ring clip mounting



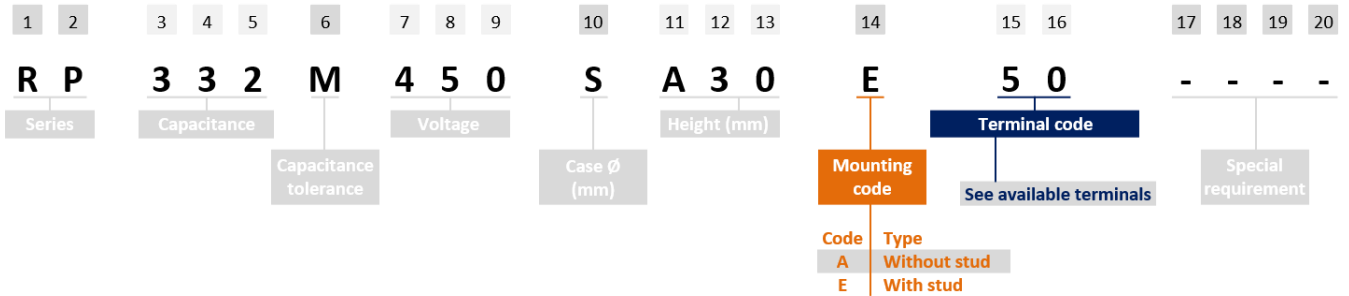
Terminal	Dimensions (mm) with insulating sleeve					Min. Full Thread (mm)	Max. Torque (Nm)	Mounting/ Terminal code
	D ± 2	L ± 3	L1 ± 3	D1 max.	A ± 0.5			
M5	35	50 ~ 120	56.5 ~ 126.5	8.3	12.7	8	2	A 50
M5	51	50 ~ 140	56.5 ~ 146.5	10.3	22	8	2	A 50
M5	63.5	80 ~ 140	86.5 ~ 146.5	10.3	28.6	8	2	A 50
M5	63.5	80 ~ 140	86.5 ~ 146.5	13	28.6	8	2	A 53
M5	76.2	100 ~ 240	106.5 ~ 246.5	10.3	31.8	12	2.5	A 50
M5	76.2	100 ~ 240	106.5 ~ 246.5	13	31.8	12	2.5	A 53
M6	76.2	100 ~ 240	106.5 ~ 246.5	13	31.8	12	2.5	A 63
M6	76.2	100 ~ 240	106.5 ~ 246.5	17.5	31.8	12	2.5	A 67
M6	89	100 ~ 240	106.5 ~ 246.5	13	31.8	12	2.5	A 63
M6	89	100 ~ 240	106.5 ~ 246.5	17.5	31.8	12	2.5	A 67
M8	100	100 ~ 240	110 ~ 250	17.5	41.5	16	5	A 87

AVAILABLE TERMINALS ▪ SCREW TERMINAL TYPE ▪ WITH STUD

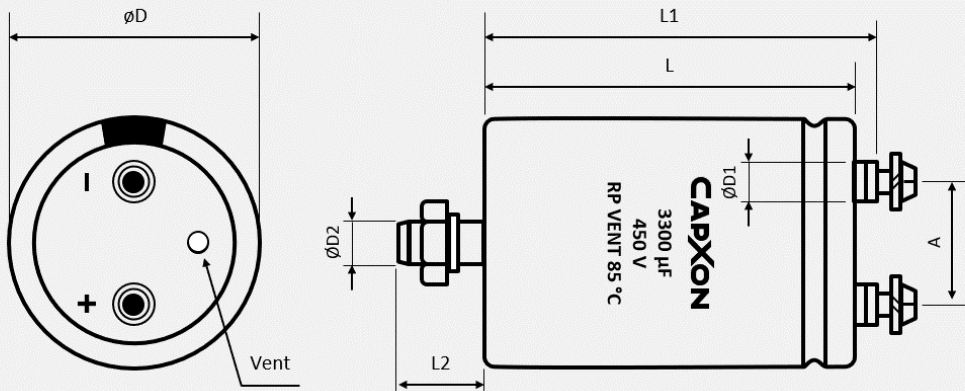


Screw terminal type example:

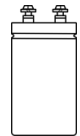
RP series ▪ 3300µF ▪ 450V ▪ ±20% ▪ Ø 63.5mm ▪ L 130mm ▪ M5 terminal 10.3mm ▪ With stud



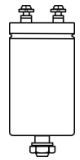
Screw type ▪ Threaded stud mounting



Terminal	Dimensions (mm) with insulating sleeve							Min. Full Thread (mm)	Max. Torque (Nm)	Mounting/ Terminal code
	D ± 2	L ± 3	L1 ± 3	L2 ± 1	D1 max.	D2	A ± 0.5			
M5	35	50 ~ 120	56.5 ~ 126.5	12	8.3	M8	12.7	8	2	E 50
M5	51	50 ~ 140	56.5 ~ 146.5	16	10.3	M12	22	8	2	E 50
M5	63.5	80 ~ 140	86.5 ~ 146.5	16	10.3	M12	28.6	8	2	E 50
M5	63.5	80 ~ 140	86.5 ~ 146.5	16	13	M12	28.6	8	2	E 53
M5	76.2	100 ~ 240	106.5 ~ 246.5	16	10.3	M12	31.8	12	2.5	E 50
M5	76.2	100 ~ 240	106.5 ~ 246.5	16	13	M12	31.8	12	2.5	E 53
M6	76.2	100 ~ 240	106.5 ~ 246.5	16	13	M12	31.8	12	2.5	E 63
M6	76.2	100 ~ 240	106.5 ~ 246.5	16	17.5	M12	31.8	12	2.5	E 67
M6	89	100 ~ 240	106.5 ~ 246.5	16	13	M12	31.8	12	2.5	E 63
M6	89	100 ~ 240	106.5 ~ 246.5	16	17.5	M12	31.8	12	2.5	E 67
M8	100	100 ~ 240	110 ~ 250	16	17.5	M12	41.5	16	5	E 87


PACKAGING - SCREW TERMINAL TYPE - WITHOUT STUD

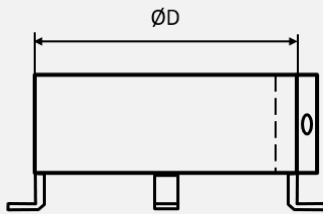
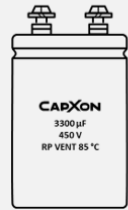
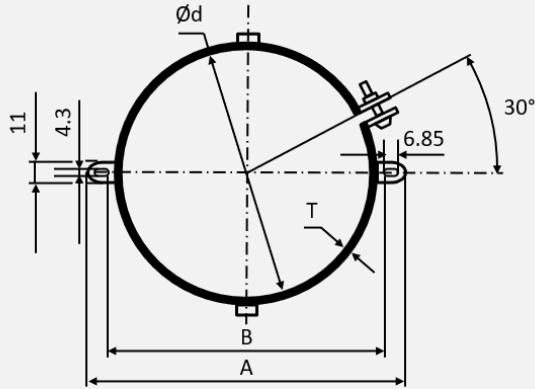
Ø D (mm)	Length L (mm)	Package layers	Box quantity (pcs)	Box size L x W x H (mm)	Country of origin	Tariff number
35	≤ 59	2	120	510 x 340 x 180	China	85322200
	60 to 69	2	120	510 x 340 x 200	China	85322200
	70 to 99	1	60	510 x 340 x 120	China	85322200
	100 to 125	1	60	510 x 340 x 145	China	85322200
51	≤ 59	2	70	510 x 340 x 180	China	85322200
	60 to 69	2	70	510 x 340 x 200	China	85322200
	70 to 99	1	35	510 x 340 x 120	China	85322200
	100 to 125	1	35	510 x 340 x 145	China	85322200
	130 to 140	1	35	510 x 340 x 165	China	85322200
	145 to 160	1	35	510 x 340 x 180	China	85322200
63.5	≤ 100	1	24	510 x 340 x 120	China	85322200
	> 100 to 125	1	24	510 x 340 x 145	China	85322200
	130 to 140	1	24	510 x 340 x 165	China	85322200
	145 to 160	1	24	510 x 340 x 180	China	85322200
	165 to 180	1	24	510 x 340 x 200	China	85322200
	185 to 200	1	24	510 x 340 x 220	China	85322200
76.2	≤ 100	1	15	510 x 340 x 120	China	85322200
	> 100 to 125	1	15	510 x 340 x 145	China	85322200
	130 to 140	1	15	510 x 340 x 165	China	85322200
	145 to 160	1	15	510 x 340 x 180	China	85322200
	165 to 180	1	15	510 x 340 x 200	China	85322200
	185 to 200	1	15	510 x 340 x 220	China	85322200
	205 to 220	1	15	510 x 340 x 240	China	85322200
89	≤ 100	1	12	510 x 340 x 120	China	85322200
	> 100 to 125	1	12	510 x 340 x 145	China	85322200
	130 to 140	1	12	510 x 340 x 165	China	85322200
	145 to 160	1	12	510 x 340 x 180	China	85322200
	165 to 180	1	12	510 x 340 x 200	China	85322200
	185 to 200	1	12	510 x 340 x 220	China	85322200
100	205 to 220	1	12	510 x 340 x 240	China	85322200
	≤ 100	1	6	510 x 340 x 120	China	85322200
	> 100 to 125	1	6	510 x 340 x 145	China	85322200
	130 to 140	1	6	510 x 340 x 165	China	85322200
	145 to 160	1	6	510 x 340 x 180	China	85322200
	165 to 180	1	6	510 x 340 x 200	China	85322200
	185 to 200	1	6	510 x 340 x 220	China	85322200
205 to 220	1	6	510 x 340 x 240	China	85322200	

PACKAGING - SCREW TERMINAL TYPE - WITH STUD


Ø D (mm)	Length L (mm)	Package layers	Box quantity (pcs)	Box size L x W x H (mm)	Country of origin	Tariff number
35	≤ 59	2	120	510 x 340 x 200	China	85322200
	60 to 69	2	120	510 x 340 x 220	China	85322200
	70 to 99	1	60	510 x 340 x 145	China	85322200
	100 to 125	1	60	510 x 340 x 165	China	85322200
51	≤ 59	2	70	510 x 340 x 200	China	85322200
	60 to 69	2	70	510 x 340 x 220	China	85322200
	70 to 99	1	35	510 x 340 x 145	China	85322200
	100 to 125	1	35	510 x 340 x 165	China	85322200
	130 to 140	1	35	510 x 340 x 180	China	85322200
	145 to 160	1	35	510 x 340 x 200	China	85322200
63.5	≤ 90	1	24	510 x 340 x 120	China	85322200
	> 90 to 115	1	24	510 x 340 x 145	China	85322200
	120 to 140	1	24	510 x 340 x 165	China	85322200
	145 to 160	1	24	510 x 340 x 200	China	85322200
	165 to 180	1	24	510 x 340 x 220	China	85322200
	185 to 200	1	24	510 x 340 x 145	China	85322200
76.2	≤ 90	1	15	510 x 340 x 120	China	85322200
	> 90 to 115	1	15	510 x 340 x 145	China	85322200
	120 to 140	1	15	510 x 340 x 180	China	85322200
	145 to 160	1	15	510 x 340 x 200	China	85322200
	165 to 180	1	15	510 x 340 x 220	China	85322200
	185 to 200	1	15	510 x 340 x 240	China	85322200
	205 to 220	1	15	510 x 340 x 280	China	85322200
89	≤ 90	1	12	510 x 340 x 120	China	85322200
	> 90 to 115	1	12	510 x 340 x 145	China	85322200
	120 to 140	1	12	510 x 340 x 180	China	85322200
	145 to 160	1	12	510 x 340 x 200	China	85322200
	165 to 180	1	12	510 x 340 x 220	China	85322200
	185 to 200	1	12	510 x 340 x 240	China	85322200
	205 to 240	1	12	510 x 340 x 280	China	85322200
100	≤ 90	1	6	510 x 340 x 120	China	85322200
	> 90 to 115	1	6	510 x 340 x 145	China	85322200
	120 to 140	1	6	510 x 340 x 180	China	85322200
	145 to 160	1	6	510 x 340 x 200	China	85322200
	165 to 180	1	6	510 x 340 x 220	China	85322200
	185 to 200	1	6	510 x 340 x 240	China	85322200
	205 to 240	1	6	510 x 340 x 280	China	85322200

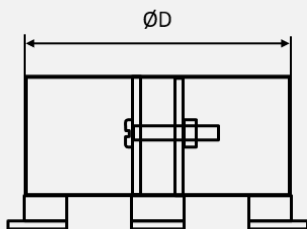
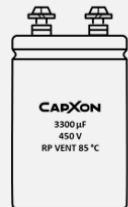
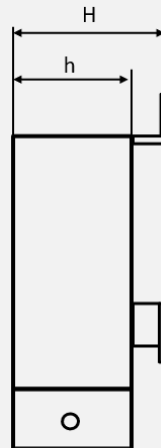
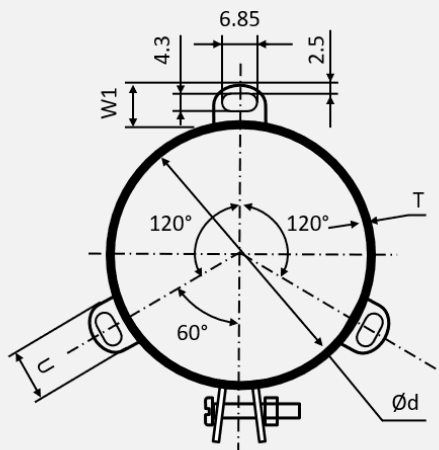
ACCESSORIES FOR SCREW TERMINAL TYPE WITHOUT STUD • ALL DIMENSIONS IN mm

Ring clip • Two fastening brackets • Material galvanized iron



Diameter	ØD	Ød	A	B	H	h	T
Ø 35	38	36	60	43	15	12	1
Ø 51	54	52	77	58	20	15	1
Ø 63.5	66.5	64.5	95	75	30	24	1

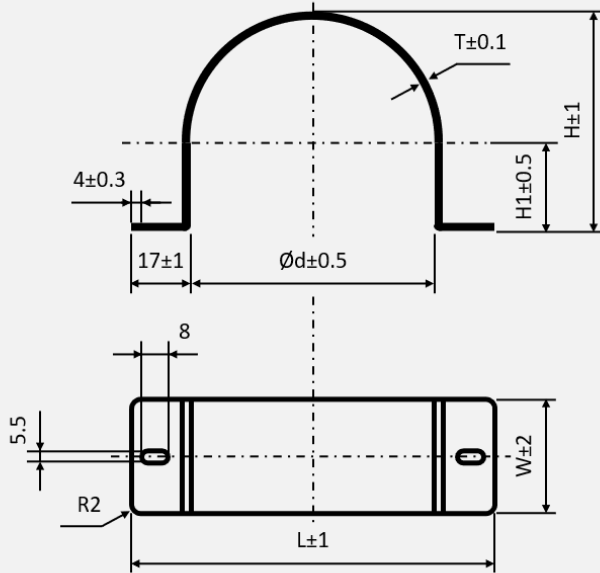
Ring clip • Three fastening brackets • Material galvanized iron



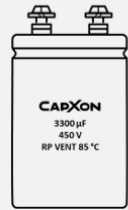
Diameter	ØD	Ød	W1	U	H	h	T
Ø 35	38	36	10.5	14	30	24	1
Ø 51	54	52	10.5	14	30	24	1
Ø 63.5	66.5	64.5	10.5	14	30	24	1
Ø 76.2	80	78	10.5	14	30	24	1
Ø 89	93	91	10.5	14	30	24	1
Ø 100	103	101	12	20	35	29	1

ACCESSORIES FOR SCREW TERMINAL TYPE WITHOUT STUD • ALL DIMENSIONS IN mm

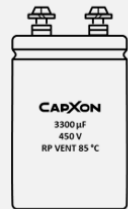
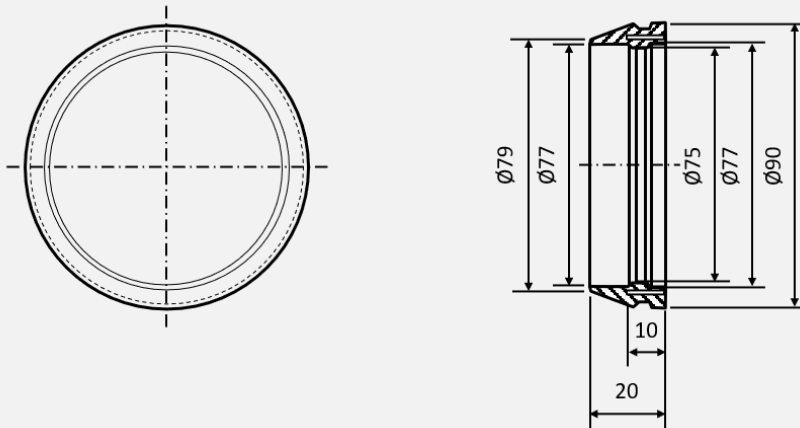
Semicircle clip • Two fastening brackets • Material galvanized iron



Diameter	$\varnothing d$	L	W	H	H1	T
$\varnothing 76.2$	90	124	40	71	25	1



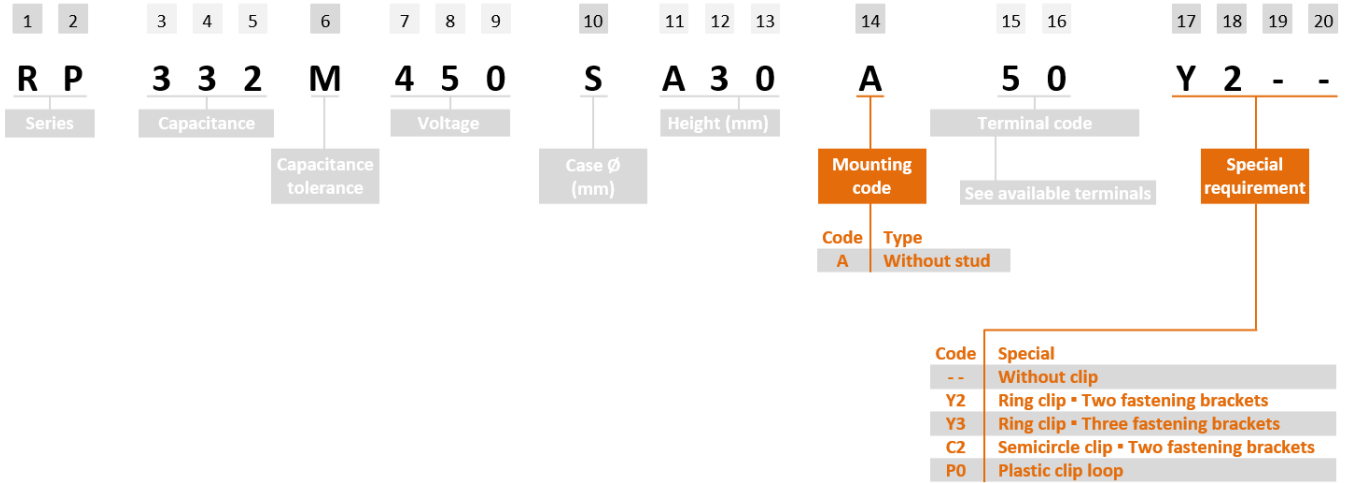
Clip loop • Material PPS (Polypropylene Sulfide Plastic)



ORDERING EXAMPLE

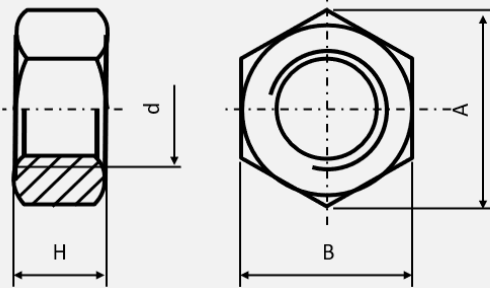
Screw terminal type example:

RP series ▪ 3300µF ▪ 450V ▪ ±20% ▪ Ø 63.5mm ▪ L 130mm ▪ M5 terminal 10.3mm ▪ without stud ▪ ring clip with two fastening brackets



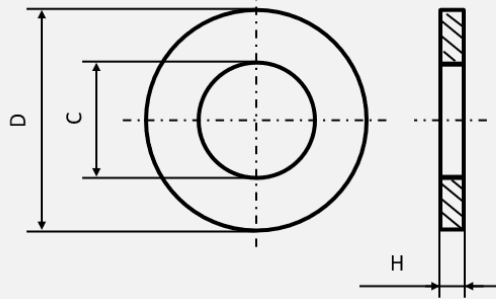
ACCESSORIES FOR SCREW TERMINAL TYPE WITH M12 STUD • ALL DIMENSIONS IN mm

Hex nut • Material Steel



Ød	H	A (min.)	B
M12	10	20.88	19

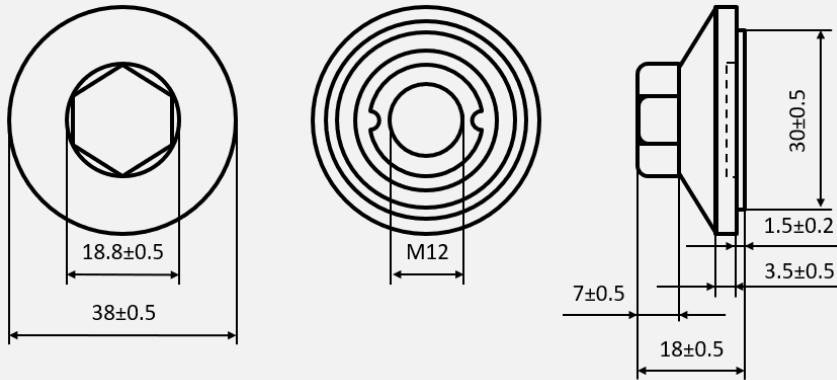
Washer • Material Steel



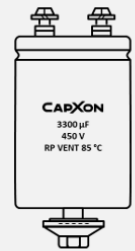
Ød	H	C	D
M12	2	13	20



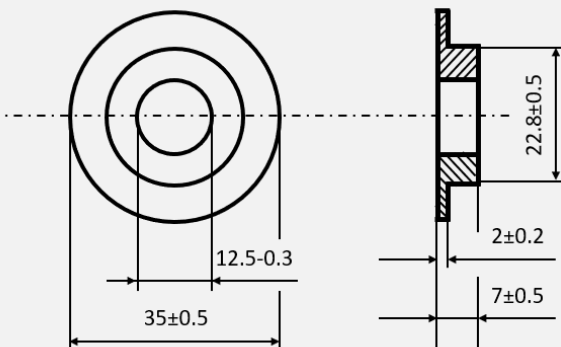
Hex nut • M12 • Ø 38mm • Material Nylon (Polyamide)



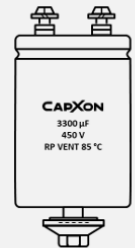
Screw size	Material	Color
M12 x 16mm	Nylon	White



Insulating shoulder washer • Ø 35mm • Material Nylon (Polyamide)



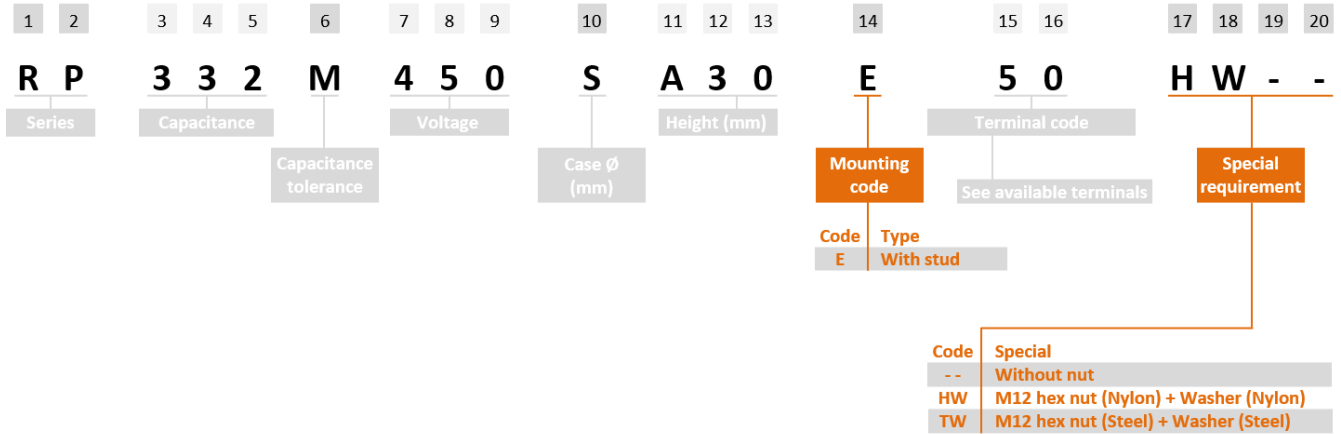
Screw size	Material	Color
M12 x 16mm	Nylon	White



ORDERING EXAMPLE

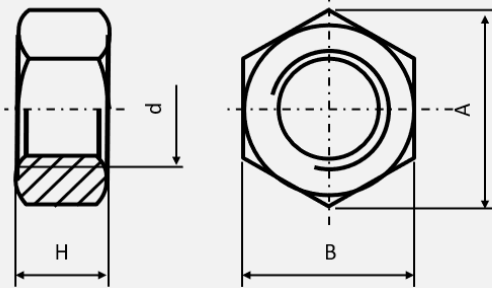
Screw terminal type example:

RP series ▪ 3300 μ F ▪ 450V ▪ \pm 20% ▪ \varnothing 63.5mm ▪ L 130mm ▪ M5 terminal 10.3mm ▪ M12 stud ▪ M12 hex nut (Nylon) and washer (Nylon)



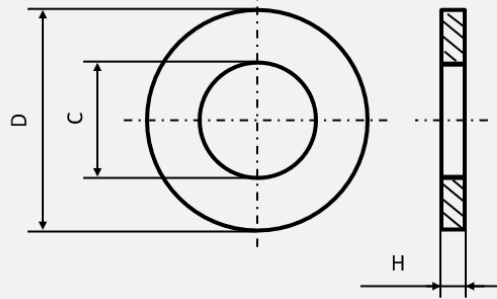
ACCESSORIES FOR SCREW TERMINAL TYPE WITH M8 STUD • ALL DIMENSIONS IN mm

Hex nut • Material Steel

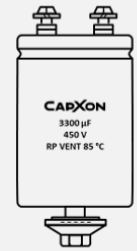


Ød	H	A (min.)	B
M8	6.5	14.2	13

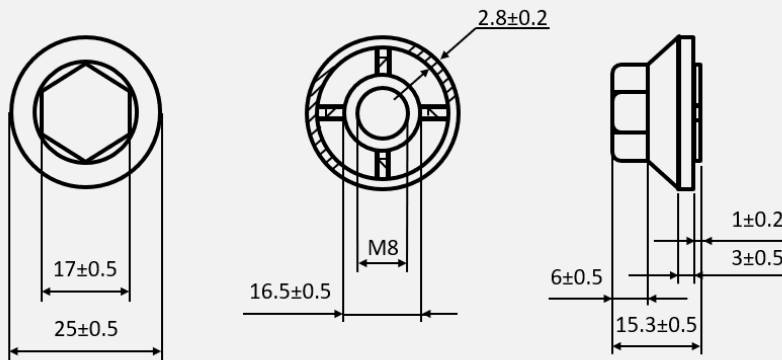
Washer • Material Steel



Ød	H	C	D
M8	1.6	8.4	15



Hex nut • M8 • Ø 25mm • Material Nylon (Polyamide)



Screw size	Material	Color
M8 x 12mm	Nylon	White



ORDERING EXAMPLE

Screw terminal type example:

RP series • 470µF • 450V • ±20% • Ø 35mm • L 80mm • M5 terminal 10.3mm • M8 stud • M8 hex nut (Nylon)



1	2	3	4	5	6	7	8	9	10	11	12	13	14	15	16	17	18	19	20
R	P	4	7	1	M	4	5	0	P	8	0	0	E	5	0	F	W	-	-
Series		Capacitance			Capacitance tolerance	Voltage			Case Ø (mm)	Height (mm)			Mounting code	Terminal code See available terminals		Special requirement			
Code		Type																	
E		With stud																	
Code		Special																	
--		Without nut																	
FW		M8 hex nut (Nylon)																	
SW		M8 hex nut (Steel) + Washer (Steel)																	