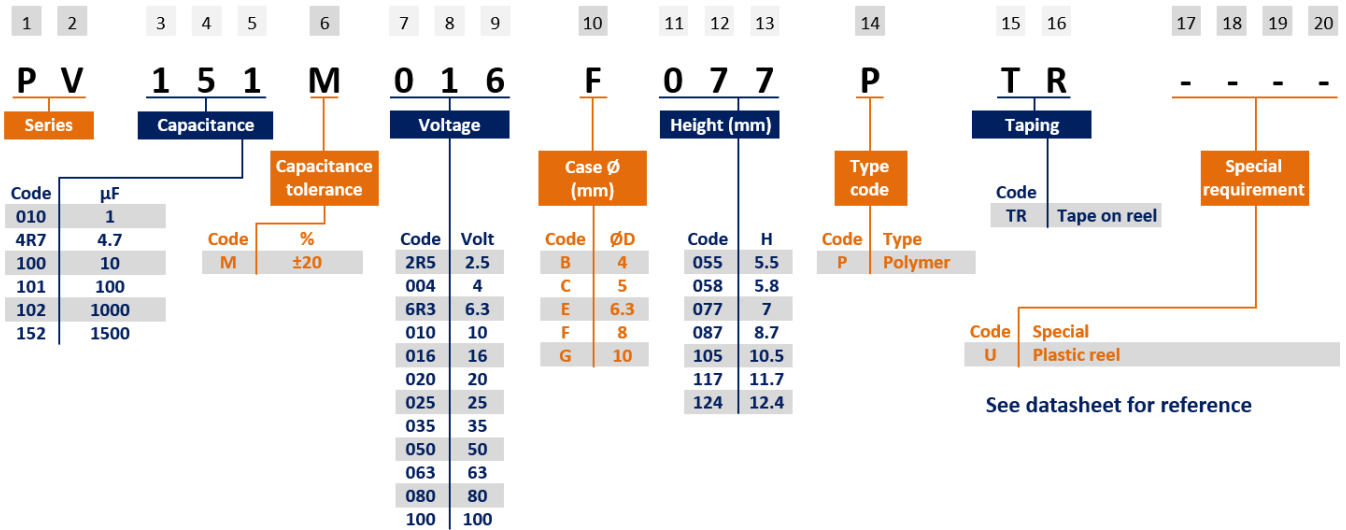


PRODUCT CODE - SMD CONDUCTIVE POLYMER CAPACITORS



SMD type example:

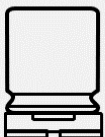
PV series ▪ 150µF ▪ 16V ▪ ±20% ▪ Ø 8mm ▪ H 7.7mm ▪ Tape & Reel



Please consult CapXon for further assistance

MARKING - SMD CONDUCTIVE POLYMER CAPACITORS

Solid Conductive Polymer Capacitor - SMD type



CapXon: Manufacturer trademark
 150: Nominal capacitance (µF)
 16V: Rated voltage (V)
 (-) polarity (Cathode indicate)

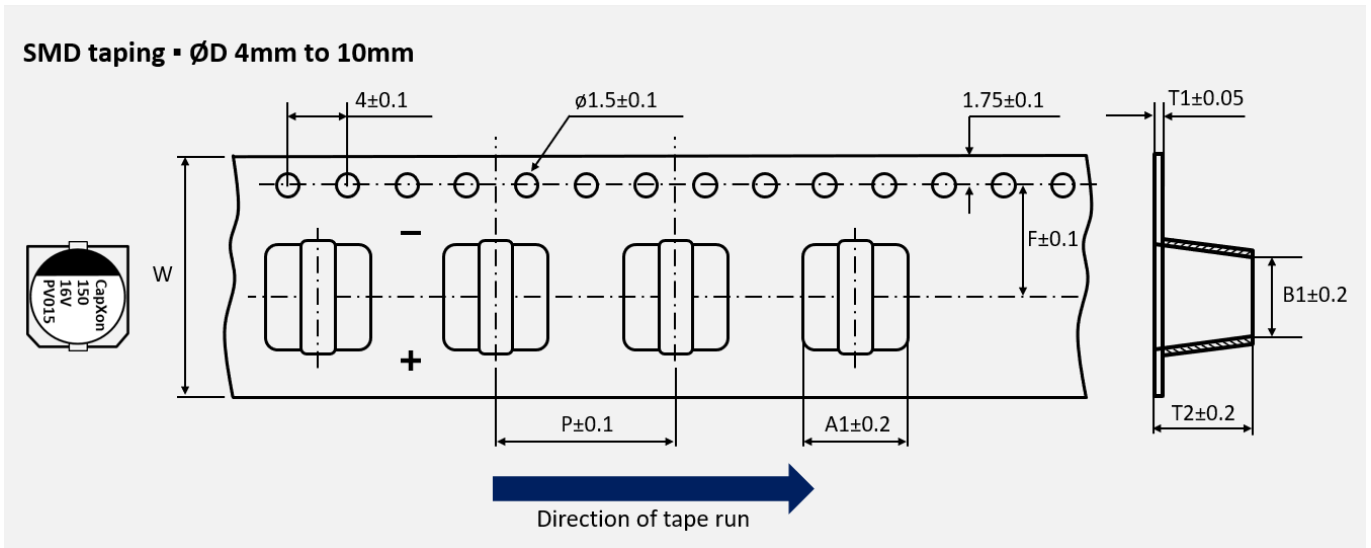
PV: PV Series
 015: Production datacode year/week
 (ex. 2020/15th week)

Top view



0 15
 → Production week
 → Last digit of the year

TAPING • SMD CONDUCTIVE POLYMER CAPACITORS • REEL PACK

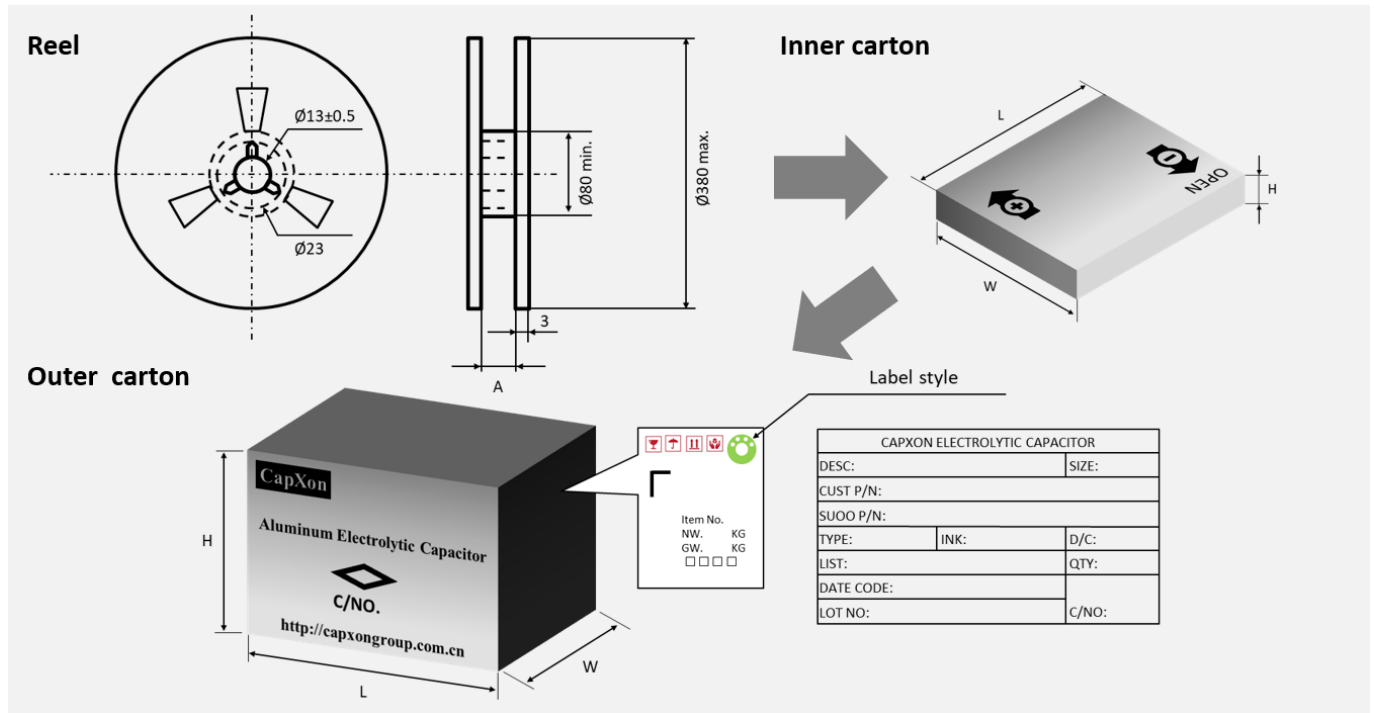


All dimensions in mm

$\varnothing D$	4 x 5.5	5 x 5.5	5 x 5.8	6.3 x 5.8	6.3 x 7.7	8 x 7.7
W	12	12	12	16	16	16
P	8	12	12	12	12	12
F	5.5	5.5	5.5	7.5	7.5	7.5
A1	4.7	5.7	5.7	7	7	8.7
B1	4.7	5.7	5.7	7	7	8.7
T1	0.4	0.4	0.4	0.4	0.4	0.4
T2	5.7	5.7	6.1	5.7	8	8.2

$\varnothing D$	8 x 8.7	8 x 10.5	8 x 11.7	10 x 8.7	10 x 10.5	10 x 12.4
W	24	24	24	24	24	24
P	16	16	16	16	16	16
F	11.5	11.5	11.5	11.5	11.5	11.5
A1	8.7	8.7	8.7	10.7	10.7	10.7
B1	8.7	8.7	8.7	10.7	10.7	10.7
T1	0.4	0.4	0.4	0.4	0.4	0.4
T2	11	11	13	11	11	12.9

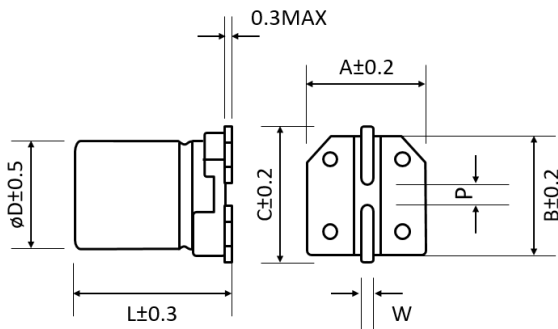
TAPING • SMD CONDUCTIVE POLYMER CAPACITORS • REEL PACK



Ø D (mm)	L (mm)	A (mm)	Reel quantity (pcs)	Inner box quantity (pcs)	Inner box size L x W x H (mm)	Outer box quantity (pcs)	Outer box size L x W x H (mm)	Country of origin	Tariff number
4	5.5	14	2000	10000	400 x 390 x 106	30000	474 x 343 x 285	China	85322200
5	5.5	14	1000	5000	400 x 390 x 106	15000	474 x 343 x 285	China	85322200
	5.8	14	1000	5000	400 x 390 x 106	15000	474 x 343 x 285	China	85322200
6.3	5.8	18	1000	4000	400 x 390 x 106	12000	474 x 343 x 285	China	85322200
	7.7	18	900	3600	400 x 390 x 106	10800	474 x 343 x 285	China	85322200
8	7.7	18	700	2800	400 x 390 x 106	8400	474 x 343 x 285	China	85322200
	8.7	18	500	1500	400 x 390 x 106	4500	474 x 343 x 285	China	85322200
	10.5	26	500	1500	400 x 390 x 106	4500	474 x 343 x 285	China	85322200
	11.7	26	400	1200	400 x 390 x 106	3600	474 x 343 x 285	China	85322200
10	8.7	26	500	1500	400 x 390 x 106	4500	474 x 343 x 285	China	85322200
	10.5	26	500	1500	400 x 390 x 106	4500	474 x 343 x 285	China	85322200
	12.4	26	400	1200	400 x 390 x 106	3600	474 x 343 x 285	China	85322200

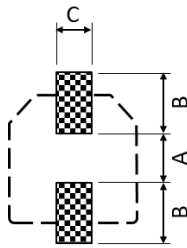
Remark: Standard = Paper reel
 Plastic reel = Add code "U" at the end of the part number

DIMENSIONS STANDARD PACKAGE - All dimensions in mm



ϕD	L	A	B	C	W	P ± 0.2
4	5.5	4.3	4.3	5.1	0.5 to 0.8	1
5	5.5	5.3	5.3	5.9	0.5 to 0.8	1.4
5	5.8	5.3	5.3	5.9	0.5 to 0.8	1.4
6.3	5.8	6.5	6.5	7.2	0.5 to 0.8	2.2
6.3	7.7	6.5	6.5	7.2	0.5 to 0.8	2.2
8	7.7	8.3	8.3	9.0	0.7 to 1.1	3.1
8	8.7	8.3	8.3	9.0	0.7 to 1.1	3.1
8	10.5	8.3	8.3	9.0	0.7 to 1.1	3.1
8	11.7	8.3	8.3	9.0	0.7 to 1.1	3.1
10	8.7	10.3	10.3	11.0	0.7 to 1.1	4.5
10	10.5	10.3	10.3	11.0	0.7 to 1.1	4.5
10	12.4	10.3	10.3	11.0	0.7 to 1.1	4.5

PAD LAYOUT STANDARD PACKAGE - All dimensions in mm



ϕD	L	A	B	C
4	5.5	1	2.6	1.6
5	5.5	1.4	3.0	1.6
5	5.8	1.4	3.0	1.6
6.3	5.8	2.1	3.5	1.6
6.3	7.7	2.1	3.5	1.6
8	7.8	2.8	4.2	1.9
8	10.5	2.8	4.2	1.9
8	11.7	2.8	4.2	1.9
10	8.7	4.3	4.4	1.9
10	10.5	4.3	4.4	1.9
10	12.4	4.3	4.4	1.9