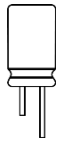
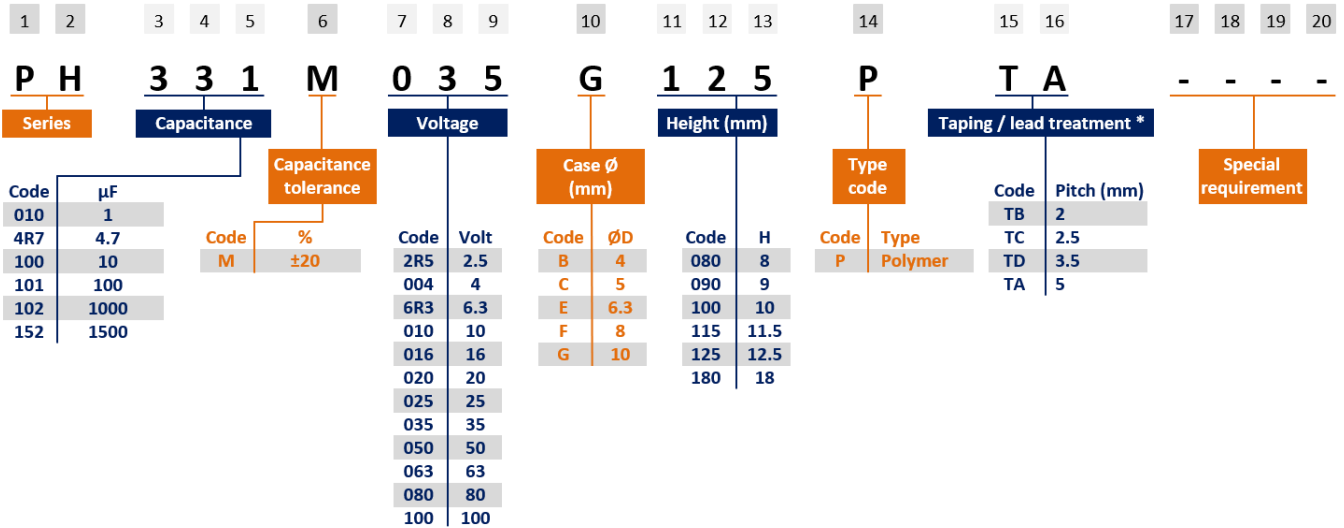


PRODUCT CODE - RADIAL CONDUCTIVE POLYMER CAPACITORS



THT type example:

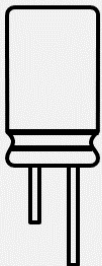
PH series ▪ 330µF ▪ 35V ▪ ±20% ▪ Ø 10mm ▪ L 12.5mm ▪ P 5mm ▪ Tape Ammo



* See chapter taping or lead treatment for further information
Please consult CapXon for further assistance

MARKING - RADIAL CONDUCTIVE POLYMER CAPACITORS

Solid Conductive Polymer Capacitor - Radial type



CapXon: Manufacturer trademark
330: Nominal capacitance (µF)
35V: Rated voltage (V) ▪ Standard type
- : (-) polarity (Cathode indicate)

PH: PH Series
007: Production datacode year/week
(ex. 2020/7th week)

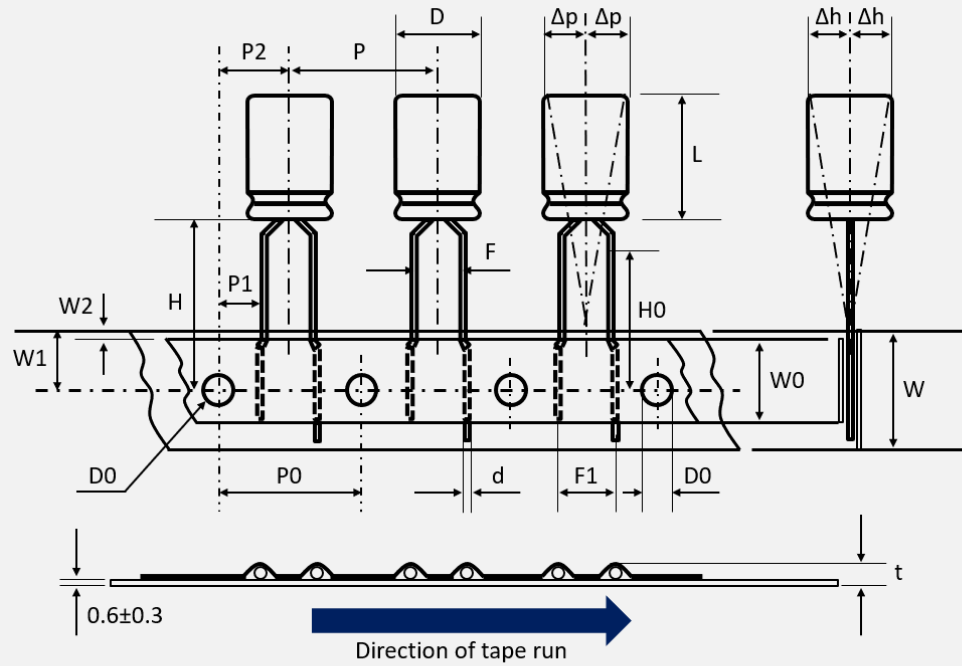
Top view



0 07
└───┬───> Production week
└───┴───> Last digit of the year

TAPING • RADIAL CONDUCTIVE POLYMER CAPACITORS • AMMO PACK

Taping • $\varnothing D$ 4mm



Example

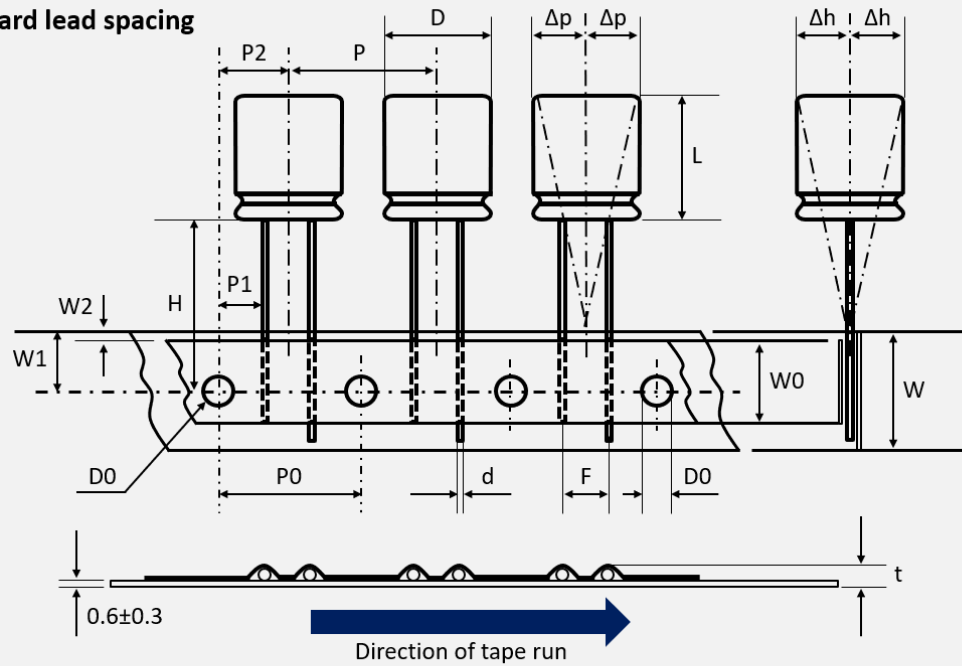
P	X	1 0 1	M	2 R 5	B	0 5 0	P	T B	-	-	-	-
Series	Capacitance	Tolerance	Voltage	$\varnothing D$ (mm)	Height (mm)	Type code	Lead treatment	Special requirement				

All dimensions in mm

	D	L	d	P	P0	P1	P2	F	W	W0	W1	W2	H	D0	Δh	Δp	t	Code
Tol	± 0.5	-	± 0.05	± 1.0	± 0.2	± 0.7	± 1.3	+0.4 -0.2	± 0.5	± 0.5	± 0.5	Max	+0.75 -0.5	± 0.2	Max	Max	Max	
Item	4	5 (± 1) 7 (± 1)	0.45	12.7	12.7	5.1	6.35	2	18	11	9	2	18.5	4	1	1	1.5	TB

TAPING • RADIAL CONDUCTIVE POLYMER CAPACITORS • AMMO PACK

Taping • $\varnothing D \geq 5\text{mm}$ • standard lead spacing



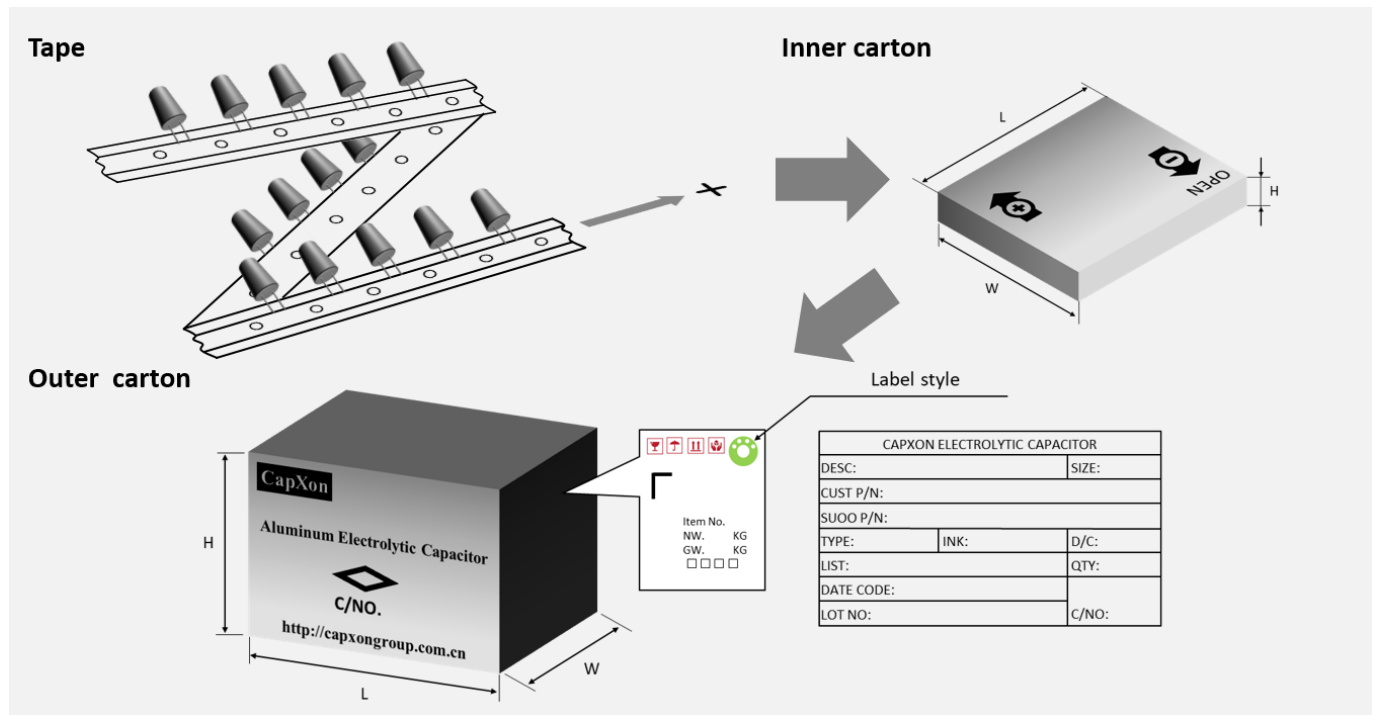
Example

P	H	3 3 1	M	0 3 5	G	1 2 5	P	T A	- - - -
Series	Capacitance	Tolerance	Voltage	$\varnothing D$ (mm)	Height (mm)	Type code	Lead treatment	Special requirement	

All dimensions in mm

	D	L	d	P	P0	P1	P2	F	W	W0	W1	W2	H	D0	Δh	Δp	t	Code
Tol	± 0.5	-	± 0.05	± 1.0	± 0.2	± 0.7	± 1.3	+0.4 -0.2	± 0.5	± 0.5	± 0.5	Max	+0.75 -0.5	± 0.2	Max	Max	Max	
Item	5	5 (± 1)	0.45	12.7	12.7	5.35	6.35	2	18	11	9	2	18.5	4	1	1	1.5	TB
		7 (± 1)																
		8 (± 1)																
		9 (± 1)																
		11 (± 1)																
	6.3	5.2 (± 1)	0.6	12.7	12.7	5.1	6.35	2.5	18	11	9	2	18.5	4	1	1	1.5	TC
		7 (± 1)																
		8 (± 1)																
		9 (± 1)																
	8	7 (± 1)	0.6	12.7	12.7	4.6	6.35	3.5	18	11	9	2	18.5	4	1	1	1.5	TD
		8 (± 1)																
		9 (± 1.5)																
		11.5 (± 1.5)																
	10	7 (± 1.5)	0.6	12.7	12.7	3.85	6.35	5	18	11	9	2	18.5	4	1	1	1.5	TA
		8 (± 1.5)																
		10 (± 1.5)																
12.5 (± 1.5)																		

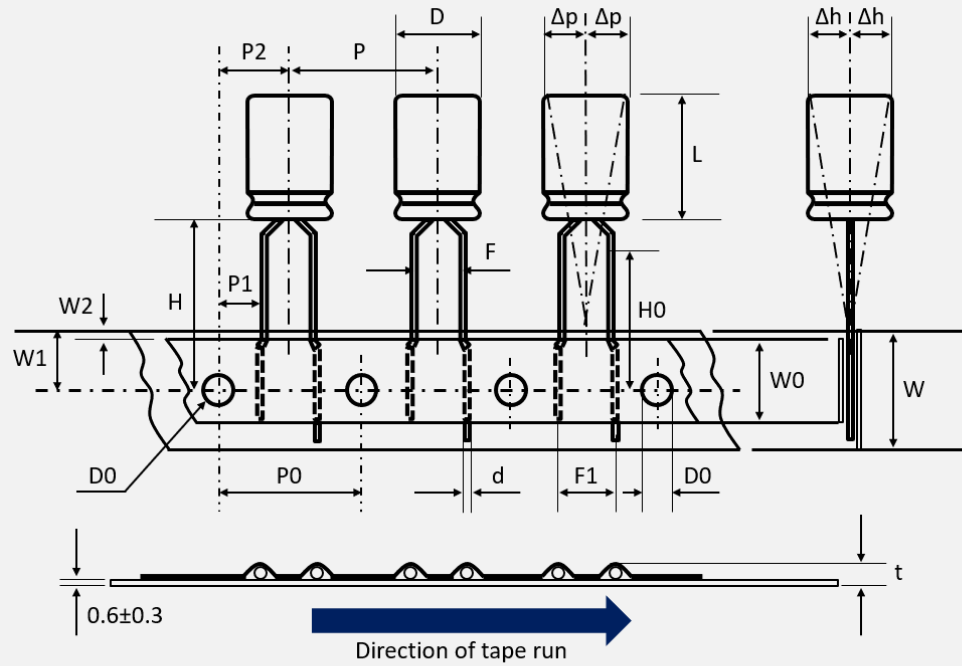
TAPING • RADIAL CONDUCTIVE POLYMER CAPACITORS • AMMO PACK



∅ D (mm)	Length L (mm)	Inner box quantity (pcs)	Inner box size L x W x H (mm)	Outer box quantity (pcs)	Outer box size L x W x H (mm)	Country of origin	Tariff number
4	5 to 7	2500	331 x 227 x 51	25000	474 x 343 x 285	China	85322200
5	5 to 11	2000	331 x 227 x 51	20000	474 x 343 x 285	China	85322200
6.3	5.2 to 11	1500	331 x 227 x 51	15000	474 x 343 x 285	China	85322200
8	7 to 11.5	800	331 x 227 x 51	8000	474 x 343 x 285	China	85322200
10	7 to 12.5	600	331 x 227 x 51	6000	474 x 343 x 285	China	85322200

TAPING • RADIAL CONDUCTIVE POLYMER CAPACITORS • REEL PACK

Taping • $\varnothing D$ 4mm



Example

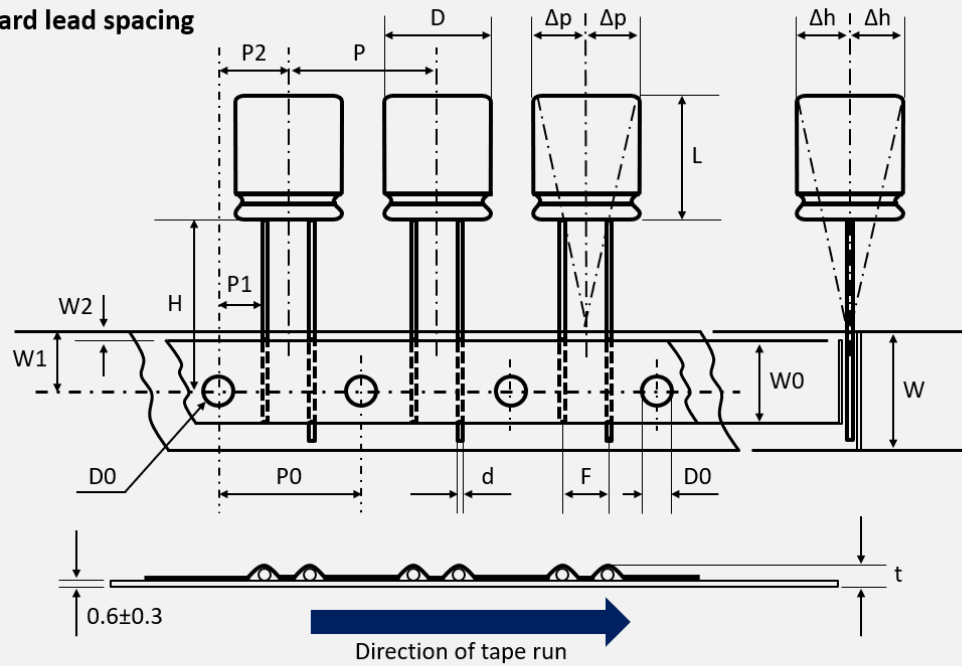
P	X	1 0 1	M	2 R 5	B	0 5 0	P	R B	-	-	-	-
Series	Capacitance	Tolerance	Voltage	$\varnothing D$ (mm)	Height (mm)	Type code	Lead treatment	Special requirement				

All dimensions in mm

	D	L	d	P	P0	P1	P2	F	W	W0	W1	W2	H	D0	Δh	Δp	t	Code
Tol	± 0.5	-	± 0.05	± 1.0	± 0.2	± 0.7	± 1.3	+0.4 -0.2	± 0.5	± 0.5	± 0.5	Max	+0.75 -0.5	± 0.2	Max	Max	Max	
Item	4	5 (± 1) 7 (± 1)	0.45	12.7	12.7	5.1	6.35	2	18	11	9	2	18.5	4	1	1	1.5	RB

TAPING • RADIAL CONDUCTIVE POLYMER CAPACITORS • REEL PACK

Taping • $\varnothing D \geq 5\text{mm}$ • standard lead spacing



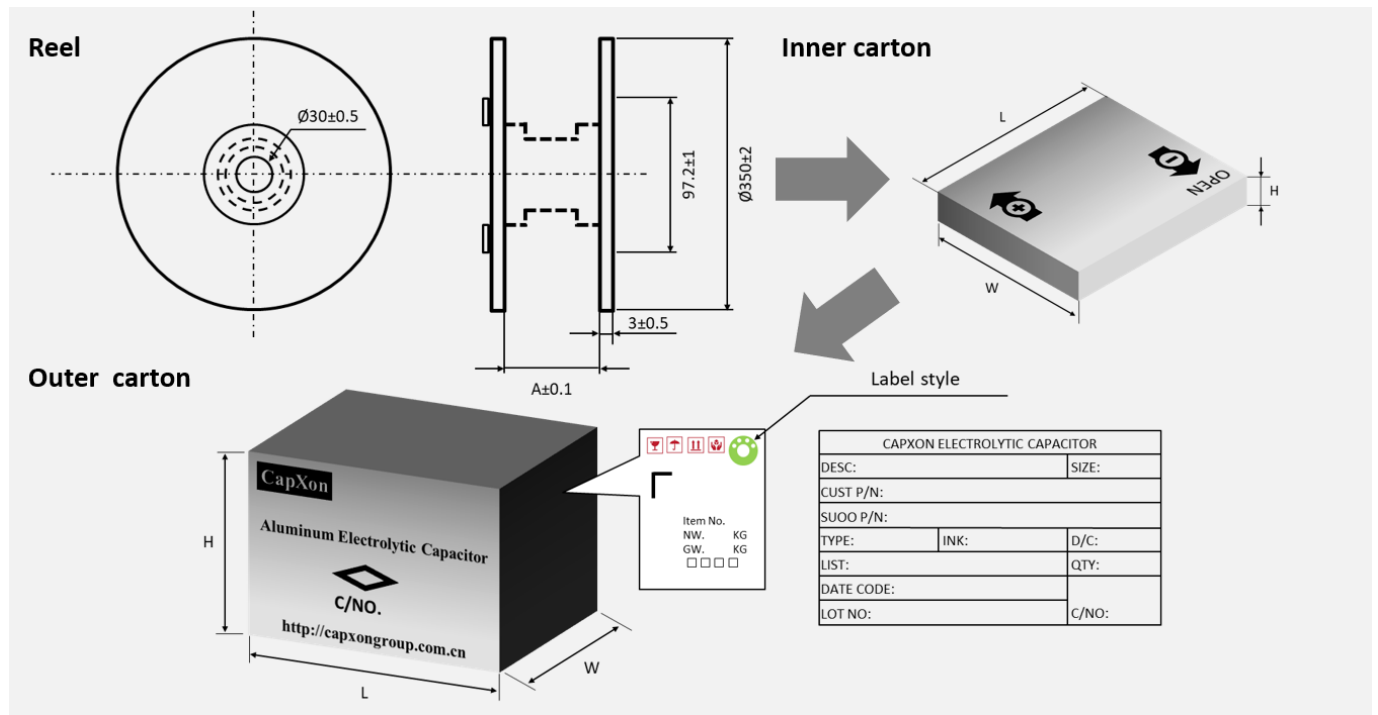
Example

P	H	3 3 1	M	0 3 5	G	1 2 5	P	R A	- - - -
Series	Capacitance	Tolerance	Voltage	$\varnothing D$ (mm)	Height (mm)	Type code	Lead treatment	Special requirement	

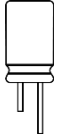
All dimensions in mm

	D	L	d	P	P0	P1	P2	F	W	W0	W1	W2	H	D0	Δh	Δp	t	Code
Tol	± 0.5	-	± 0.05	± 1.0	± 0.2	± 0.7	± 1.3	+0.4 -0.2	± 0.5	± 0.5	± 0.5	Max	+0.75 -0.5	± 0.2	Max	Max	Max	
Item	5	5 (± 1)	0.45	12.7	12.7	5.35	6.35	2	18	11	9	2	18.5	4	1	1	1.5	RB
		7 (± 1)																
		8 (± 1)																
		9 (± 1)																
	6.3	5.2 (± 1)	0.6	12.7	12.7	5.1	6.35	2.5	18	11	9	2	18.5	4	1	1	1.5	RC
		7 (± 1)																
		8 (± 1)																
		9 (± 1)																
	8	7 (± 1)	0.6	12.7	12.7	4.6	6.35	3.5	18	11	9	2	18.5	4	1	1	1.5	RD
		8 (± 1)																
		9 (± 1.5)																
		11.5 (± 1.5)																
10	7 (± 1.5)	0.6	12.7	12.7	3.85	6.35	5	18	11	9	2	18.5	4	1	1	1.5	RA	
	8 (± 1.5)																	
	10 (± 1.5)																	
	12.5 (± 1.5)																	

TAPING • RADIAL CONDUCTIVE POLYMER CAPACITORS • REEL PACK



$\varnothing D$ (mm)	Length L (mm)	A (mm)	Inner box quantity (pcs)	Inner box size L x W x H (mm)	Outer box quantity (pcs)	Outer box size L x W x H (mm)	Country of origin	Tariff number
4	5 to 7	45	1800	350 x 350 x 105	10800	375 x 375 x 343	China	85322200
5	5 to 11	45	1300	350 x 350 x 105	7800	375 x 375 x 343	China	85322200
6.3	5.2 to 11	45	1000	350 x 350 x 105	6000	375 x 375 x 343	China	85322200
8	7 to 11.5	45	800	350 x 350 x 105	4800	375 x 375 x 343	China	85322200
10	7 to 12.5	45	600	350 x 350 x 105	3600	375 x 375 x 343	China	85322200

**PACKAGING ▪ RADIAL CONDUCTIVE POLYMER CAPACITORS
STRAIGHT LEADS ▪ BULK PACK**


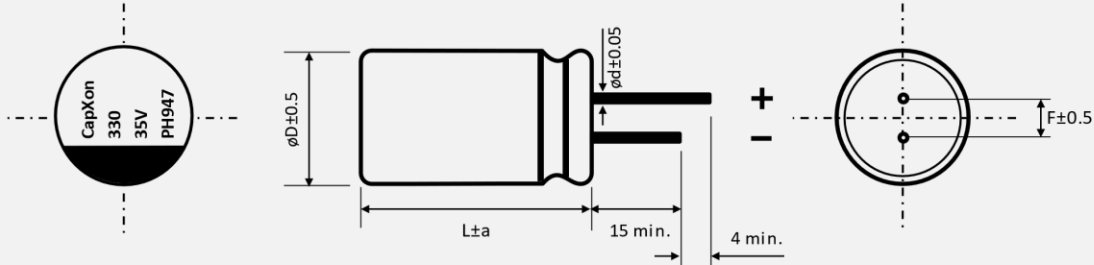
∅ D (mm)	Length L (mm)	Inner bag / Inner row (pcs)	Inner box quantity (pcs)	Inner box size L x W x H (mm)	Outer box quantity (pcs)	Outer box size L x W x H (mm)	Country of origin	Tariff number
4	5	1000/bag	12000	293 x 181 x 223	12000	293 x 181 x 223	China	85322200
	7	1000/bag	12000	293 x 181 x 223	12000	293 x 181 x 223	China	85322200
5	5	1000/bag	12000	293 x 181 x 223	12000	293 x 181 x 223	China	85322200
	7	800/bag	9600	293 x 181 x 223	9600	293 x 181 x 223	China	85322200
	8	800/bag	9600	293 x 181 x 223	9600	293 x 181 x 223	China	85322200
	9	700/bag	8400	293 x 181 x 223	8400	293 x 181 x 223	China	85322200
	11	600/bag	7200	293 x 181 x 223	7200	293 x 181 x 223	China	85322200
6.3	5.2	800/bag	9600	293 x 181 x 223	9600	293 x 181 x 223	China	85322200
	7	800/bag	9600	293 x 181 x 223	9600	293 x 181 x 223	China	85322200
	8	600/bag	7200	293 x 181 x 223	7200	293 x 181 x 223	China	85322200
	9	600/bag	7200	293 x 181 x 223	7200	293 x 181 x 223	China	85322200
	11	500/bag	6000	293 x 181 x 223	6000	293 x 181 x 223	China	85322200
8	7	500/bag	6000	293 x 181 x 223	6000	293 x 181 x 223	China	85322200
	8	500/bag	6000	293 x 181 x 223	6000	293 x 181 x 223	China	85322200
	9	450/bag	5400	293 x 181 x 223	5400	293 x 181 x 223	China	85322200
	11.5	300/bag	3600	293 x 181 x 223	3600	293 x 181 x 223	China	85322200
10	7	300/bag	3600	293 x 181 x 223	3600	293 x 181 x 223	China	85322200
	8	300/bag	3600	293 x 181 x 223	3600	293 x 181 x 223	China	85322200
	10	300/bag	3600	293 x 181 x 223	3600	293 x 181 x 223	China	85322200
	12.5	200/bag	2400	293 x 181 x 223	2400	293 x 181 x 223	China	85322200

PACKAGING ▪ RADIAL CONDUCTIVE POLYMER CAPACITORS
 CUTTED LEADS ▪ BULK PACK


∅ D (mm)	Length L (mm)	Inner bag / Inner row (pcs)	Inner box quantity (pcs)	Cutting height (mm)	Outer box quantity (pcs)	Outer carton quantity (pcs)	Country of origin	Tariff number
4	5	1500/bag	1500/box	≤ 7	18000	18000	China	85322200
	7	1500/bag	1500/box	≤ 7	18000	18000	China	85322200
5	5	1500/bag	1500/box	≤ 7	18000	18000	China	85322200
	7	1500/bag	1500/box	≤ 7	18000	18000	China	85322200
	8	1000/bag	1000/box	≤ 7	12000	12000	China	85322200
	9	1000/bag	1000/box	≤ 7	12000	12000	China	85322200
	11	1000/bag	1000/box	≤ 7	12000	12000	China	85322200
6.3	5.2	1200/bag	1200/box	≤ 7	14400	14400	China	85322200
	7	1000/bag	1000/box	≤ 7	12000	12000	China	85322200
	8	800/bag	800/box	≤ 7	9600	9600	China	85322200
	9	800/bag	800/box	≤ 7	9600	9600	China	85322200
	11	800/bag	800/box	≤ 7	9600	9600	China	85322200
8	7	700/bag	700/box	≤ 7	8400	8400	China	85322200
	8	600/bag	600/box	≤ 7	7200	7200	China	85322200
	9	600/bag	600/box	≤ 7	7200	7200	China	85322200
	11.5	500/bag	500/box	≤ 7	6000	6000	China	85322200
10	7	500/bag	500/box	≤ 7	6000	6000	China	85322200
	8	500/bag	500/box	≤ 7	6000	6000	China	85322200
	10	400/bag	400/box	≤ 7	4800	4800	China	85322200
	12.5	300/bag	300/box	≤ 7	3600	3600	China	85322200

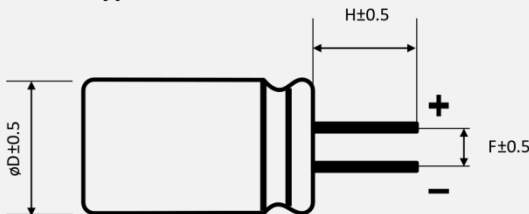
AVAILABLE LEAD TREATMENTS • RADIAL CONDUCTIVE POLYMER CAPACITORS

Radial type • standard lead spacing (all dimensions in mm)



Ø D (mm)	L (mm)	a (mm)	F (mm)	Ø d (mm)
4	5	1	1.5	0.45
	7			
5	5	1	2	0.45
	7			0.5
	8			0.6
	11			0.45
6.3	5.2	1	2.5	0.45
	7			0.6
	8			0.6
	11			0.6
8	7	1	3.5	0.6
	8	1.5		
	9			
	11.5			
10	7	1.5	5	0.6
	8			
	10			
	12.5			

Radial type • **CA** version • cutted leads • standard lead spacing

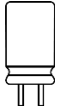


Example

Length „H“ customized. See product code table
customized lead length for further reference.

Ø D (mm)	4	5	6.3	8	10
F (mm)	1.5	2	2.5	3.5	5

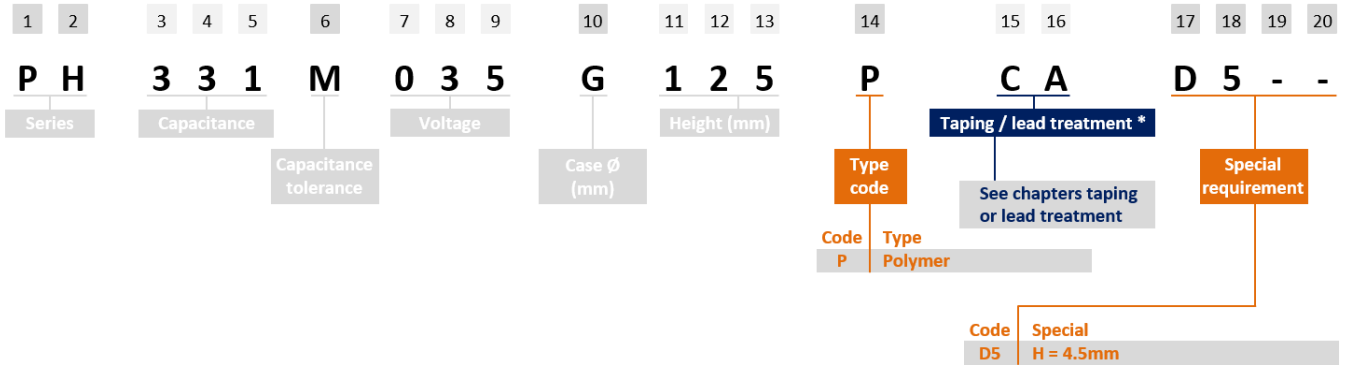
P	H	3 3 1	M	0 3 5	G	1 2 5	P	C A	-	-	-	-
Series		Capacitance	Tolerance	Voltage	Ø D (mm)	Height (mm)	Type code	Lead treatment	Special requirement			



PRODUCT CODE TABLE • CUSTOMIZED LEAD LENGTH

THT type example:

PH series ▪ 330µF ▪ 35V ▪ ±20% ▪ Ø 10mm ▪ L 12.5mm ▪ CA version, cutted leads ▪ P 5mm ▪ H 4.5mm



The 17th digit is according basic ordering of the Latin alphabet and shows the measure "H" in front of the decimal separator. The 18th digit follows the numbering from 0 to 9 and shows the measure "H" after the decimal separator.

Product code 17 th digit	H (mm)
A	1
B	2
C	3
D	4
E	5
F	6
G	7

Product code 18 st digit	H (mm)
0	0.0
1	0.1
2	0.2
3	0.3
4	0.4
5	0.5
6	0.6
7	0.7
8	0.8
9	0.9

Example H (mm)	Product code
4.0	D0
4.5	D5
5.2	E2
6.0	F0