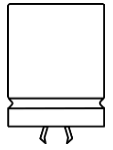




**PACKAGING • SNAP-IN ALUMINUM ELECTROLYTIC CAPACITORS**


∅ D (mm)	Length L (mm)	Terminal length H (mm)	Inner box quantity (pcs)	Inner box size L x W x H (mm)	Outer box quantity (pcs)	Outer box size L x W x H (mm)	Country of origin	Tariff number
20	≤ 25		120	268 x 265 x 38	720	560 x 280 x 135	China	85322200
	27 to 35	< 6 (L=35)	120	268 x 265 x 48	720	560 x 275 x 167	China	85322200
	35	≥ 6	120	268 x 265 x 64	720	560 x 275 x 208	China	85322200
	40 to 51		120	268 x 265 x 64	720	560 x 275 x 208	China	85322200
22	≤ 25		100	268 x 265 x 38	600	560 x 280 x 135	China	85322200
	27 to 35	< 6 (L=35)	100	268 x 265 x 48	600	560 x 275 x 167	China	85322200
	35	≥ 6	100	268 x 265 x 64	600	560 x 275 x 208	China	85322200
	40 to 51		100	268 x 265 x 64	600	560 x 275 x 208	China	85322200
	52 to 61		100	268 x 265 x 72	400	560 x 275 x 167	China	85322200
	62 to 75		100	268 x 265 x 90	400	560 x 275 x 208	China	85322200
25	≤ 25		100	295 x 293 x 38	500	310 x 308 x 211	China	85322200
	26 to 35	< 6 (L=35)	100	295 x 293 x 48	500	315 x 313 x 258	China	85322200
	35	≥ 6	100	295 x 293 x 64	500	310 x 308 x 340	China	85322200
	40 to 51		100	295 x 293 x 64	500	310 x 308 x 340	China	85322200
	52 to 60		100	295 x 293 x 72	500	310 x 308 x 383	China	85322200
	61 to 75		100	295 x 293 x 90	400	310 x 308 x 383	China	85322200
30	≤ 25		50	173 x 344 x 38	400	375 x 361 x 175	China	85322200
	26 to 35	< 6 (L=35)	50	173 x 344 x 48	400	375 x 361 x 220	China	85322200
	35	≥ 6	50	173 x 344 x 64	300	375 x 361 x 200	China	85322200
	40 to 51		50	173 x 344 x 64	300	375 x 361 x 220	China	85322200
	52 to 65		50	182 x 350 x 80	300	375 x 361 x 260	China	85322200
	70 to 85		50	182 x 350 x 100	200	375 x 361 x 220	China	85322200
35	≤ 25		50	195 x 392 x 38	400	405 x 407 x 175	China	85322200
	26 to 35	< 6 (L=35)	50	195 x 392 x 48	300	405 x 407 x 164	China	85322200
	35	≥ 6	50	195 x 392 x 64	300	405 x 407 x 212	China	85322200
	36 to 44		50	195 x 392 x 64	300	405 x 407 x 212	China	85322200
	45 to 52		50	195 x 392 x 64	200	410 x 210 x 280	China	85322200
	56 to 65		50	195 x 392 x 80	200	405 x 407 x 175	China	85322200
	66 to 75		50	195 x 392 x 90	200	405 x 407 x 212	China	85322200
	80 to 85		50	195 x 392 x 100	200	405 x 407 x 220	China	85322200
	90 to 100		50	195 x 392 x 115	100	405 x 407 x 130	China	85322200
40	26 to 35	< 6 (L=35)	40	375 x 230 x 48	200	390 x 250 x 265	China	85322200
	35	≥ 6	40	375 x 230 x 64	160	390 x 250 x 280	China	85322200
	36 to 46		40	375 x 230 x 64	160	390 x 250 x 280	China	85322200
	47 to 62		40	375 x 230 x 80	120	390 x 250 x 265	China	85322200
	63 to 75		40	375 x 230 x 90	120	390 x 250 x 295	China	85322200
	80 to 105		40	375 x 230 x 120	80	390 x 250 x 265	China	85322200
45	35 to 50		35	360 x 260 x 64	140	550 x 380 x 150	China	85322200
	55 to 65		35	360 x 260 x 80	140	550 x 380 x 180	China	85322200
	70 to 80		35	360 x 260 x 95	70	550 x 380 x 115	China	85322200
	85 to 100		35	360 x 260 x 115	70	550 x 380 x 130	China	85322200
50	50 to 60		30	370 x 310 x 75	120	770 x 330 x 170	China	85322200
	65 to 75		30	370 x 310 x 90	60	770 x 330 x 110	China	85322200
	80 to 100		30	370 x 310 x 115	60	770 x 330 x 130	China	85322200

### AVAILABLE TERMINALS • SNAP-IN ALUMINUM ELECTROLYTIC CAPACITORS

#### Snap-In type • PP version • 2-pin • standard type • $\varnothing D = 20$ to 45mm

H (mm)	6	4
h (mm)	2.5	1.5
Type / Terminal code	A P6	A P4

Standard: H = 6 mm. Also available H = 4 mm

**Example**

U J	4 7 1	M	4 5 0	O	4 5 0	A	P 6	- -
Series	Capacitance	Tolerance	Voltage	$\varnothing D$ (mm)	Height (mm)	Type code	Terminals	Special requirement

#### Snap-In type • ZP version • 3-pin • polarity protection • $\varnothing D = 20$ to 45mm

H (mm)	6	4
h (mm)	2.5	1.5
Type / Terminal code	A Z6	A Z4

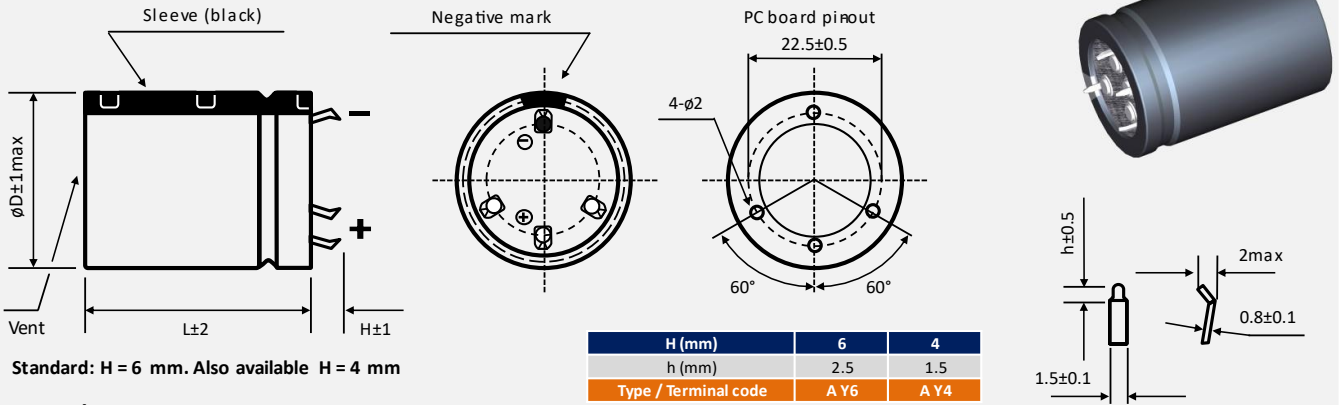
Standard: H = 4 mm. Also available H = 6 mm

**Example**

U J	4 7 1	M	4 5 0	O	4 5 0	A	Z 4	- -
Series	Capacitance	Tolerance	Voltage	$\varnothing D$ (mm)	Height (mm)	Type code	Terminals	Special requirement

### AVAILABLE TERMINALS • SNAP-IN ALUMINUM ELECTROLYTIC CAPACITORS

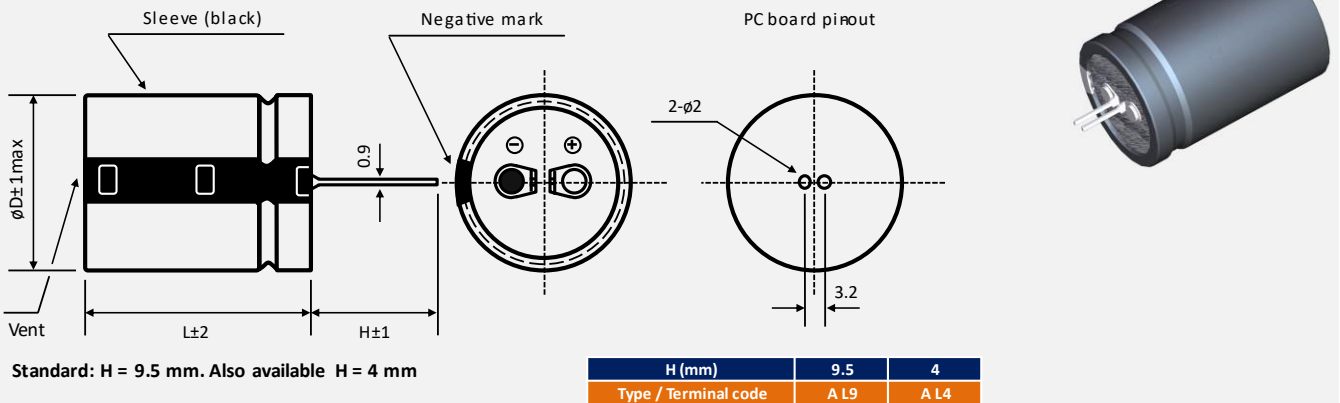
Snap-In type • **YP** version • Multi-pin • polarity protection •  $\varnothing D = 30$  to 45mm



Example

<b>U J</b>	<b>4 7 1</b>	<b>M</b>	<b>4 5 0</b>	<b>O</b>	<b>4 5 0</b>	<b>A</b>	<b>Y 6</b>	- -
Series	Capacitance	Tolerance	Voltage	$\varnothing D$ (mm)	Height (mm)	Type code	Terminals	Special requirement

Snap-In type • **LP** version • slim terminal •  $\varnothing D = 20$  to 45mm

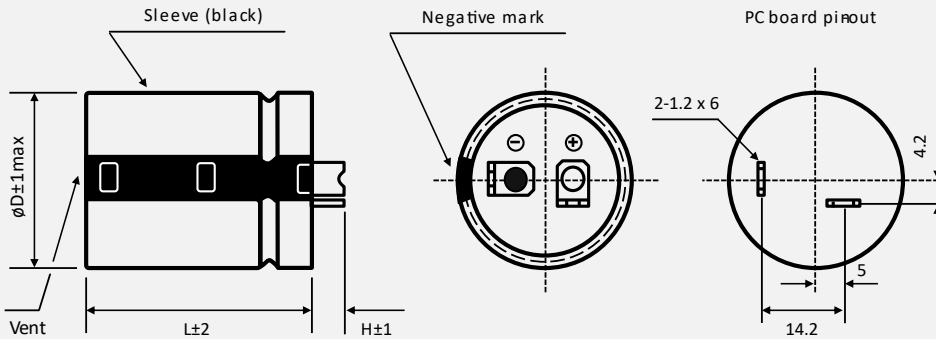


Example

<b>U J</b>	<b>4 7 1</b>	<b>M</b>	<b>4 5 0</b>	<b>O</b>	<b>4 5 0</b>	<b>A</b>	<b>L 9</b>	- -
Series	Capacitance	Tolerance	Voltage	$\varnothing D$ (mm)	Height (mm)	Type code	Terminals	Special requirement

### AVAILABLE TERMINALS ▪ SNAP-IN ALUMINUM ELECTROLYTIC CAPACITORS

Snap-In type ▪ **CP** version ▪ lug type ▪ T type ▪  $\varnothing D = 30$  to 45mm



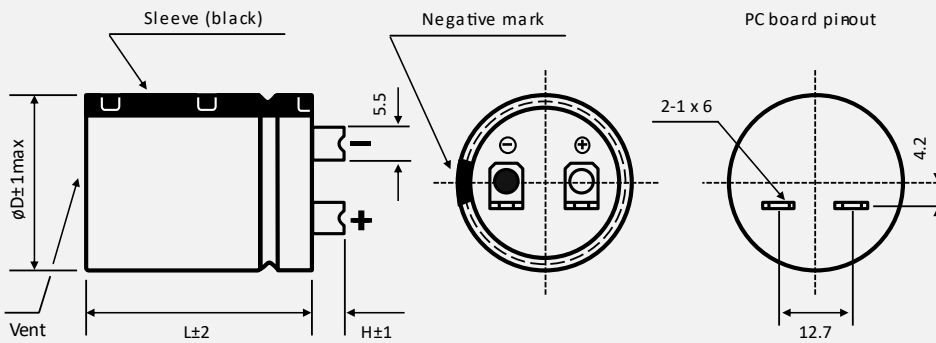
Standard: H = 4.5 mm. Also available H = 5.5 mm

H (mm)	5.5	4.5
Type / Terminal code	A C5	A C4

Example

<b>U J</b>	<b>4 7 1</b>	<b>M</b>	<b>4 5 0</b>	<b>O</b>	<b>4 5 0</b>	<b>A</b>	<b>C 4</b>	-	-
Series	Capacitance	Tolerance	Voltage	$\varnothing D$ (mm)	Height (mm)	Type code	Terminals	Special requirement	

Snap-In type ▪ **HP** version ▪ lug type ▪ U type ▪  $\varnothing D = 30$  to 45mm



Standard: H = 6 mm

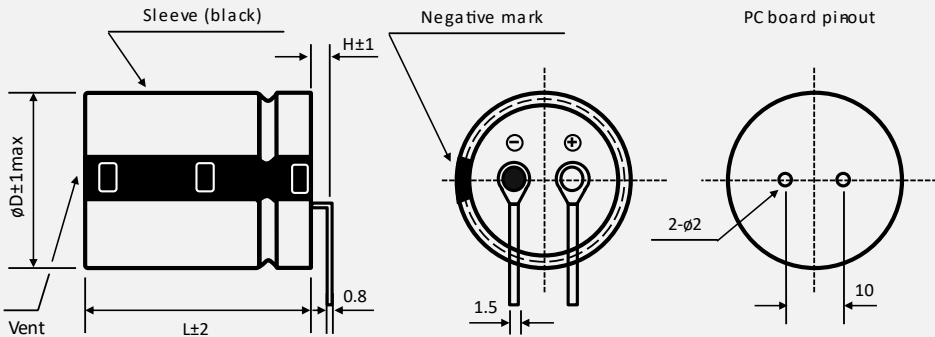
H (mm)	6
Type / Terminal code	A H6

Example

<b>U J</b>	<b>4 7 1</b>	<b>M</b>	<b>4 5 0</b>	<b>O</b>	<b>4 5 0</b>	<b>A</b>	<b>H 6</b>	-	-
Series	Capacitance	Tolerance	Voltage	$\varnothing D$ (mm)	Height (mm)	Type code	Terminals	Special requirement	

### AVAILABLE TERMINALS ▪ SNAP-IN ALUMINUM ELECTROLYTIC CAPACITORS

Snap-In type ▪ **TP** version ▪ long terminal ▪ cathode right side ▪  $\varnothing D = 20$  to  $45$ mm



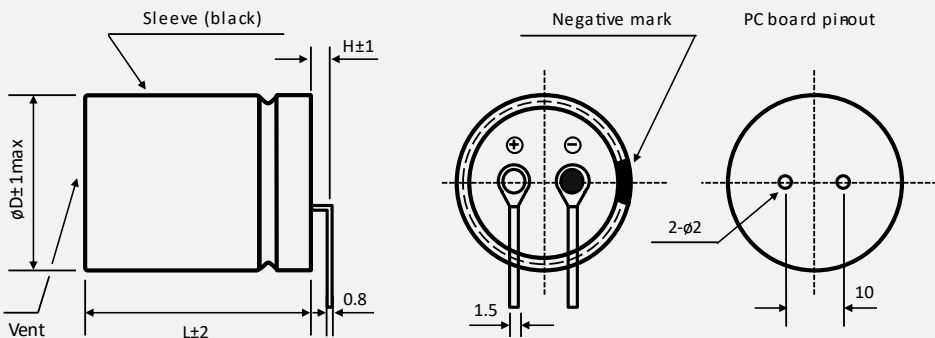
Standard:  $H = 2.5$  mm

H (mm)	2.5
Type / Terminal code	E CR

Example

<b>U J</b>	<b>4 7 1</b>	<b>M</b>	<b>4 5 0</b>	<b>O</b>	<b>4 5 0</b>	<b>E</b>	<b>C R</b>	-	-
Series	Capacitance	Tolerance	Voltage	$\varnothing D$ (mm)	Height (mm)	Type code	Terminals	Special requirement	

Snap-In type ▪ **TP** version ▪ long terminal ▪ cathode left side ▪  $\varnothing D = 20$  to  $45$ mm



Standard:  $H = 2.5$  mm

H (mm)	2.5
Type / Terminal code	E CL

Example

<b>U J</b>	<b>4 7 1</b>	<b>M</b>	<b>4 5 0</b>	<b>O</b>	<b>4 5 0</b>	<b>E</b>	<b>C L</b>	-	-
Series	Capacitance	Tolerance	Voltage	$\varnothing D$ (mm)	Height (mm)	Type code	Terminals	Special requirement	

### AVAILABLE TERMINALS ▪ SNAP-IN ALUMINUM ELECTROLYTIC CAPACITORS

**Snap-In type ▪ VP version ▪ lug type ▪  $\varnothing D = 20$  to 45mm**

Standard:  $H = 8$  mm.

Consult CapXon for further lug heights.  
If terminals of other lengths are needed, the corresponding size parameters are also different

**Example**

<b>U J</b>	<b>4 7 1</b>	<b>M</b>	<b>4 5 0</b>	<b>Ø</b>	<b>4 5 0</b>	<b>A</b>	<b>V 8</b>	<b>- -</b>
Series	Capacitance	Tolerance	Voltage	$\varnothing D$ (mm)	Height (mm)	Type code	Terminals	Special requirement

$H \pm 0.5$	$\varnothing D$	$L1 \pm 0.1$	$L2 \pm 0.2$	$W \pm 0.2$	$W1 \pm 0.2$	$W2 \pm 0.2$	$d \pm 0.1$
<b>8</b>	25	3.5	1	4.6	3.7	2	0.8
	30	3.5	1	4.6	3.7	2	0.8
	35	3.5	1	4.6	3.7	2	0.8
	40	3.5	1	4.6	3.7	2	0.8
	45	3.5	1	4.6	3.7	2	0.8